

SMD Power Inductors



FEATURES

- ◆ To be high saturation for surface mounting.
- ◆ Surface mount inductor with high current rating.
- ◆ Low resistance to keep power loss minimum.

APPLICATIONS

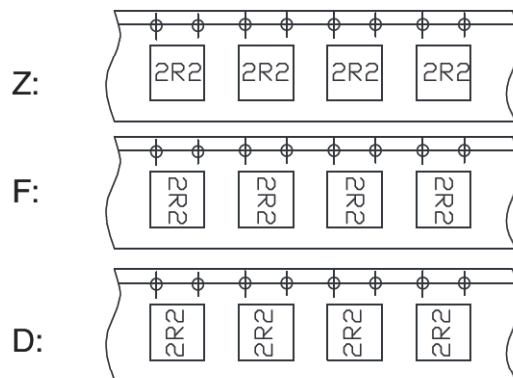
- ◆ Ideally used in Power supply for VTR, OA equipment, Digital camera, LCD television set notebook PC, etc as DC-DC Converter

PRODUCT IDENTIFICATION

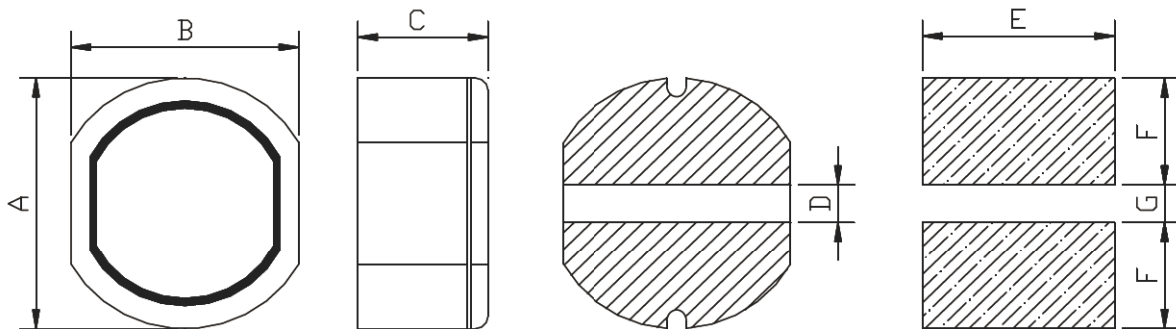
CLR 74 100 M  
a b c d

- a: Series name
- b: Product dimensions ( a x c )
- c: Inductance Value  
(1R0:1.0uH; 100: 10uH; 101:100uH)
- d: Inductance Tolerance (K:10% ; M:20% ; N:30%)

Lettering direction



SHAPES AND DIMENSIONS



Series	Dimensions(mm)						
	A	B	C Max.	D	E	F Ref.	G Ref.
CLR52	5.80 ± 0.3	5.20 ± 0.3	2.80	1.50	5.50	2.35	1.30
CLR63	6.20 ± 0.3	5.60 ± 0.3	3.50	1.70	6.00	3.50	1.50
CLR74	7.80 ± 0.3	7.00 ± 0.3	4.90	1.90	7.50	3.50	1.50
CLR105	10.0 ± 0.4	9.00 ± 0.4	5.90	2.50	9.00	4.00	2.00
CLR125	12.5 ± 0.5	11.5 ± 0.5	5.90	3.00	12.0	5.00	2.50

Note:

Rated current: The DC current at which the inductance decreases to 70% of its initial value or when  $\Delta t = 40^{\circ}\text{C}$ , whichever is lower ( $T_a = 25^{\circ}\text{C}$ )



Specifications subject to change without notice.

DONGGUAN CILAISHUN ELECTRONICS CO., LTD.

Tel: 0769-82197801 Fax: 0769-82197829 E-mail: sales@cilaishun.com Web: http://www.cilaishun.com



## SMD Power Inductors

## ELECTRICAL CHARACTERISTICS

Part Number	L ( $\mu$ H)	Test Freq. (KHz)	DCR Max. ( $\Omega$ )	Rating Current (A)
<b>CLR52 Series</b>				
CLR52-1R0N	1.0	100	0.050	1.70
CLR52-1R8N	1.8	100	0.060	1.20
CLR52-2R2N	2.2	100	0.070	1.10
CLR52-3R3N	3.3	100	0.080	0.90
CLR52-5R6N	5.6	100	0.100	0.75
CLR52-6R8N	6.8	100	0.110	0.70
CLR52-8R2N	8.2	100	0.130	0.60
CLR52-100M	10	100	0.150	0.54
CLR52-150M	15	100	0.200	0.46
CLR52-220M	22	100	0.280	0.42
CLR52-330M	33	100	0.450	0.35
CLR52-390M	39	100	0.550	0.32
CLR52-470M	47	100	0.600	0.28
CLR52-560M	56	100	0.760	0.25
CLR52-680M	68	100	0.920	0.23
<b>CLR63 Series</b>				
CLR63-1R0N	1.0	100	0.070	3.00
CLR63-2R2N	2.2	100	0.120	2.60
CLR63-3R3N	3.3	100	0.140	2.45
CLR63-4R7N	4.7	100	0.160	2.30
CLR63-5R6N	5.6	100	0.180	2.00
CLR63-6R8N	6.8	100	0.240	1.80
CLR63-8R2N	8.2	100	0.280	1.60
CLR63-100M	10	100	0.370	1.50
CLR63-150M	15	100	0.470	1.20
CLR63-180M	18	100	0.640	1.10
CLR63-220M	22	100	0.710	1.00
CLR63-270M	27	100	0.960	0.94
CLR63-330M	33	100	1.110	0.85
CLR63-390M	39	100	1.260	0.78
CLR63-470M	47	100	1.770	0.72
CLR63-560M	56	100	1.960	0.66
CLR63-680M	68	100	2.500	0.58
CLR63-820M	82	100	3.100	0.51
CLR63-101M	100	100	3.500	0.49

**Note:**

Rated current: The DC current at which the inductance decreases to 70% of its initial value or when  $\Delta t = 40^{\circ}\text{C}$ , whichever is lower ( $T_a = 25^{\circ}\text{C}$ )



Specifications subject to change without notice.

DONGGUAN CILAISHUN ELECTRONICS CO., LTD.

Tel: 0769-82197801 Fax: 0769-82197829 E-mail: sales@cilaishun.com Web: http://www.cilaishun.com



## SMD Power Inductors

## ELECTRICAL CHARACTERISTICS

Part Number	L ( $\mu$ H)	Test Freq. (KHz)	DCR Max. ( $\Omega$ )	Rating Current (A)
<b>CLR74 Series</b>				
CLR74-1R0N	1.0	100	0.035	3.50
CLR74-1R5N	1.5	100	0.045	3.15
CLR74-2R2N	2.2	100	0.050	3.00
CLR74-3R3N	3.3	100	0.060	2.85
CLR74-4R7N	4.7	100	0.065	2.60
CLR74-5R6N	5.6	100	0.070	2.50
CLR74-6R8N	6.8	100	0.075	2.45
CLR74-8R2N	8.2	100	0.080	2.40
CLR74-100M	10	100	0.090	2.30
CLR74-120M	12	100	0.100	2.00
CLR74-150M	15	100	0.110	1.80
CLR74-180M	18	100	0.120	1.60
CLR74-220M	22	100	0.130	1.50
CLR74-330M	33	100	0.180	1.20
CLR74-390M	39	100	0.240	1.10
CLR74-470M	47	100	0.280	1.00
CLR74-560M	56	100	0.370	0.94
CLR74-680M	68	100	0.430	0.85
CLR74-820M	82	100	0.470	0.78
CLR74-101M	100	100	0.640	0.72
CLR74-151M	150	100	0.960	0.58
CLR74-181M	180	100	1.110	0.51
CLR74-221M	220	100	1.260	0.49
CLR74-331M	330	100	1.960	0.40
CLR74-471M	470	100	3.100	0.30
<b>CLR105 Series</b>				
CLR105-100M	10	100	0.060	2.06
CLR105-120M	12	100	0.070	1.94
CLR105-150M	15	100	0.074	1.72
CLR105-180M	18	100	0.080	1.58
CLR105-220M	22	100	0.083	1.42
CLR105-270M	27	100	0.100	1.32
CLR105-330M	33	100	0.110	1.16
CLR105-470M	47	100	0.140	1.00
CLR105-560M	56	100	0.190	0.93

**Note:**

Rated current: The DC current at which the inductance decreases to 70% of its initial value or when  $\Delta t = 40^{\circ}\text{C}$ , whichever is lower ( $T_a = 25^{\circ}\text{C}$ )



Specifications subject to change without notice.

DONGGUAN CILAISHUN ELECTRONICS CO., LTD.

Tel: 0769-82197801 Fax: 0769-82197829 E-mail: sales@cilaishun.com Web: http://www.cilaishun.com



## SMD Power Inductors

## ELECTRICAL CHARACTERISTICS

Part Number	L ( $\mu$ H)	Test Freq. (KHz)	DCR Max. ( $\Omega$ )	Rating Current (A)
CLR105-680M	68	100	0.210	0.85
CLR105-820M	82	100	0.280	0.79
CLR105-101M	100	100	0.340	0.72
CLR105-151M	150	100	0.510	0.55
CLR105-181M	180	100	0.570	0.50
CLR105-221M	220	100	0.780	0.47
CLR105-331M	330	100	1.200	0.37
CLR105-391M	390	100	1.340	0.35
CLR105-471M	470	100	1.500	0.33
CLR105-561M	560	100	1.700	0.25
<b>CLR125 Series</b>				
CLR125-4R7N	4.7	100	0.030	3.50
CLR125-8R2N	8.2	100	0.040	2.95
CLR125-100M	10	100	0.050	2.65
CLR125-150M	15	100	0.060	2.45
CLR125-180M	18	100	0.065	2.40
CLR125-220M	22	100	0.070	2.20
CLR125-270M	27	100	0.080	2.00
CLR125-390M	39	100	0.110	1.65
CLR125-470M	47	100	0.120	1.50
CLR125-560M	56	100	0.150	1.38
CLR125-680M	68	100	0.170	1.26
CLR125-820M	82	100	0.200	1.14
CLR125-101M	100	100	0.250	1.05
CLR125-121M	120	100	0.280	0.95

**Note:**

Rated current: The DC current at which the inductance decreases to 70% of its initial value or when  $\Delta t = 40^{\circ}\text{C}$ , whichever is lower ( $T_a = 25^{\circ}\text{C}$ )



Specifications subject to change without notice.

DONGGUAN CILAISHUN ELECTRONICS CO., LTD.

Tel: 0769-82197801 Fax: 0769-82197829 E-mail: sales@cilaishun.com Web: http://www.cilaishun.com

