

SMD Power Inductors



FEATURES

- ◆ Low profile very effective in space-applications.
- ◆ High energy storage and very low resistance.
- ◆ Packed in embossed carrier tape and can be used by automatic mounting machine.

APPLICATIONS

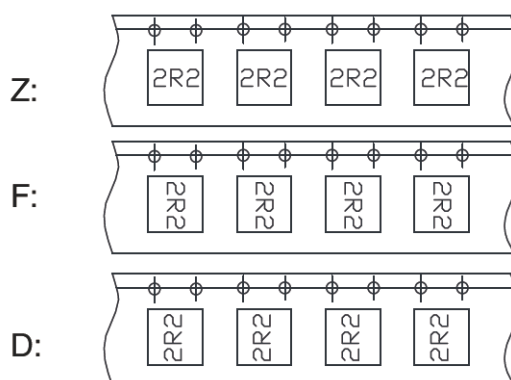
- ◆ Ideally used in Power supply for VTR, OA equipment, Digital camera, LCD television set notebook PC, etc as DC-DC Converter

PRODUCT IDENTIFICATION

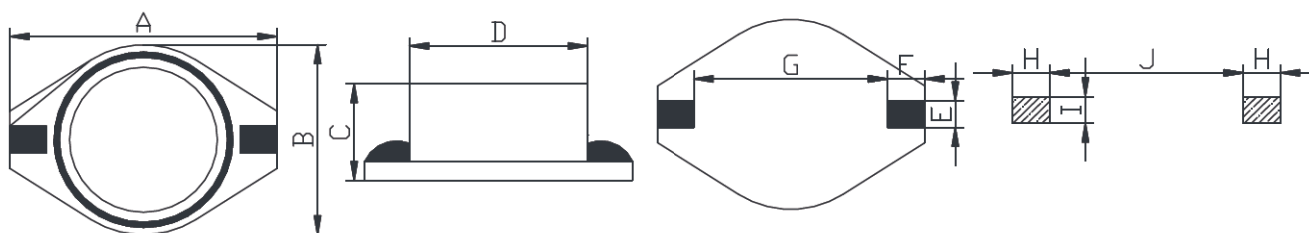
CLP 3316 I 100 M
 a b c d e

- a: Series name
- b: Product dimensions (a x c)
- c: Shield
- d: Inductance Value
 (1R0:1.0uH; 100: 10uH; 101:100uH)
- e: Inductance Tolerance (K:10% ; M:20% ; N:30%)

Lettering direction



SHAPES AND DIMENSIONS



Series	Dimensions(mm)									
	A	B	C	D	E Ref.	F Ref.	G Ref.	H Ref.	I Ref.	J Ref.
CLP3316T	12.95 ± 0.3	9.4 ± 0.3	5,21 ± 0.3	8.38 ± 0.3	2.54	2.54	7.62	2.9	3	7.3
CLP5022T	18.54 ± 0.3	15.24 ± 0.3	7.11 ± 0.3	12.7 ± 0.3	2.54	2.54	12.7	2.9	3	12.4

Note:

Saturation Current: DC current at which the inductance drops approximate 10% from its value without current;
 Heat Rating Current: DC current that causes the temperature rise (ΔT=40°C) from 25°C ambient.



Specifications subject to change without notice.

DONGGUAN CILAI SHUN ELECTRONICS CO., LTD.

Tel: 0769-82197801 Fax: 0769-82197829 E-mail: sales@cilaishun.com Web: http://www.cilaishun.com



SMD Power Inductors

ELECTRICAL CHARACTERISTICS

Part Number	L (uH)	Test Freq. (KHz)	DCR Max. (Ω)	Saturation Current (A)	Heat Rating Current (A)	SRF Min. (MHz)
CLP3316T Series						
CLP3316T-1R0M	1.0	100	0.021	5.60	5.00	140.0
CLP3316T-1R5M	1.5	100	0.022	5.20	4.50	120.0
CLP3316T-2R2M	2.2	100	0.032	5.00	3.80	80.0
CLP3316T-3R3M	3.3	100	0.039	3.90	3.30	70.0
CLP3316T-4R7M	4.7	100	0.054	3.20	2.70	40.0
CLP3316T-6R8M	6.8	100	0.075	2.80	2.20	38.0
CLP3316T-100M	10	100	0.101	2.40	2.00	35.0
CLP3316T-150M	15	100	0.150	2.00	1.50	25.0
CLP3316T-220M	22	100	0.207	1.60	1.30	19.0
CLP3316T-330M	33	100	0.334	1.40	1.10	15.0
CLP3316T-470M	47	100	0.472	1.00	0.80	13.0
CLP3316T-680M	68	100	0.660	0.90	0.70	10.0
CLP3316T-101M	100	100	1.110	0.80	0.60	7.0
CLP3316T-151M	150	100	1.550	0.60	0.50	6.0
CLP3316T-221M	220	100	2.000	0.50	0.40	5.0
CLP5022T Series						
CLP5022T-100M	10	100	0.040	8.00	3.90	30.0
CLP5022T-150M	15	100	0.048	7.00	3.40	20.0
CLP5022T-220M	22	100	0.059	6.00	3.10	18.0
CLP5022T-330M	33	100	0.075	5.00	2.80	14.0
CLP5022T-470M	47	100	0.097	4.00	2.40	10.0
CLP5022T-680M	68	100	0.138	3.00	2.00	9.00
CLP5022T-101M	100	100	0.207	2.40	1.70	7.00
CLP5022T-151M	150	100	0.293	2.10	1.30	6.00
CLP5022T-221M	220	100	0.470	1.90	1.10	5.00
CLP5022T-331M	330	100	0.780	1.10	0.86	4.00
CLP5022T-471M	470	100	1.080	1.10	0.73	3.00
CLP5022T-681M	680	100	1.400	0.96	0.64	2.50
CLP5022T-102M	1000	100	2.010	0.80	0.53	2.00

Note:

Saturation Current: DC current at which the inductance drops approximate 10% from its value without current;
Heat Rating Current: DC current that causes the temperature rise ($\Delta T=40^{\circ}\text{C}$) from 25°C ambient.



Specifications subject to change without notice.

DONGGUAN CILAISHUN ELECTRONICS CO., LTD.

Tel: 0769-82197801 Fax: 0769-82197829 E-mail: sales@cilaishun.com Web: http://www.cilaishun.com

