

SMD Power Inductors



FEATURES

- ◆ Various high power inductors are superior to be high saturation.
- ◆ Suitable for surface mounting equipment.
- ◆ Excellent solderability and high heat resistance.

APPLICATIONS

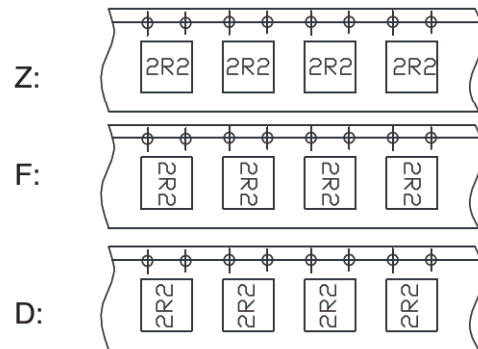
- ◆ Ideally used in Power supply for VTR, OA equipment, Digital camera, LCD television set notebook PC, etc as DC-DC Converter

PRODUCT IDENTIFICATION

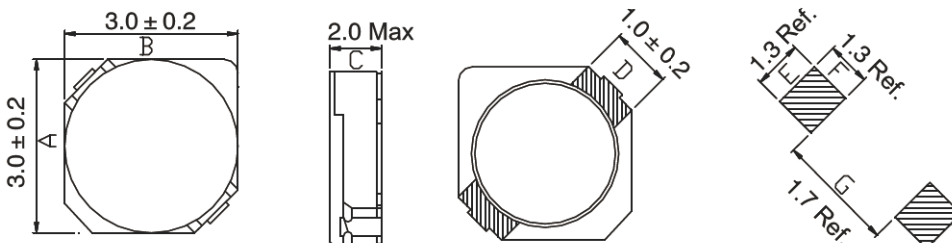
CLD 5D28 100 M
 a b c d

- a: Series name
- b: Product dimensions (a x c)
- c: Inductance Value
 (1R0:1.0uH; 100: 10uH; 101:100uH)
- d: Inductance Tolerance (K:10% ; M:20% ; N:30%)

Lettering direction



SHAPES AND DIMENSIONS



Part Number	L (uH)	Test Freq. (KHz)	DCR Max. (Ω)	Saturation Current (A)	Heat Rating Current (A)
CLD2D18-2R2N	2.2	100	0.041	0.85	2.30
CLD2D18-3R3N	3.3	100	0.054	0.75	2.10
CLD2D18-4R7N	4.7	100	0.078	0.63	1.65
CLD2D18-6R8N	6.8	100	0.106	0.52	1.32
CLD2D18-100N	10	100	0.180	0.43	1.00
CLD2D18-150N	15	100	0.220	0.35	0.80
CLD2D18-220N	22	100	0.320	0.30	0.68
CLD2D18-330N	33	100	0.460	0.24	0.56
CLD2D18-470N	47	100	0.660	0.20	0.48

Note:

Rated current: The DC current at which the inductance decreases to 65% of its initial value or when Δt=40℃, whichever is lower(Ta=25℃)



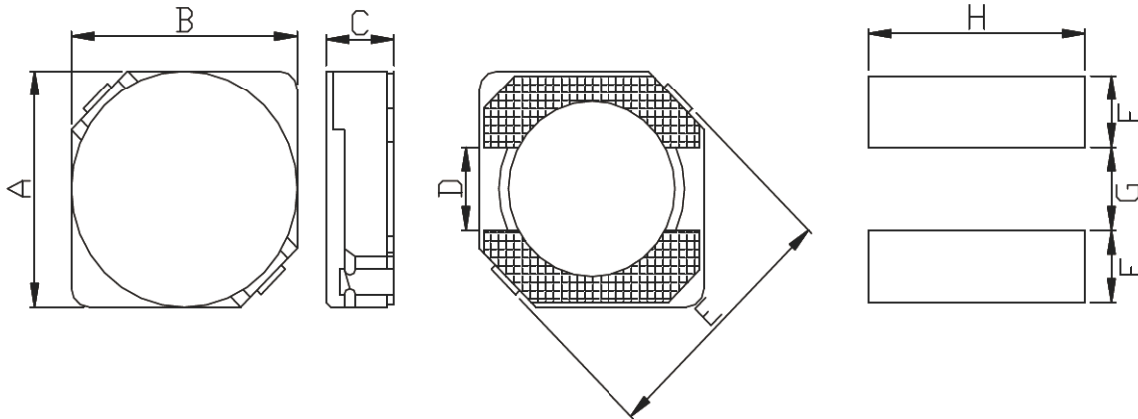
Specifications subject to change without notice.

DONGGUAN CILAISHUN ELECTRONICS CO., LTD.

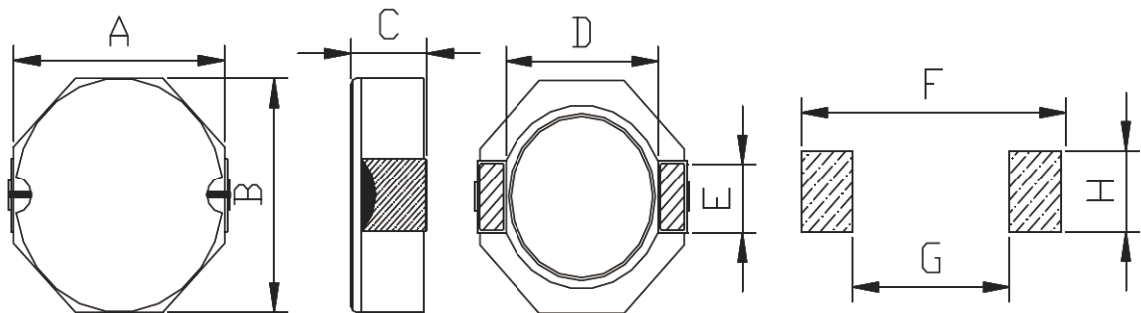
Tel: 0769-82197801 Fax: 0769-82197829 E-mail: sales@cilaishun.com Web: http://www.cilaishun.com



SHAPES AND DIMENSIONS



Series	Dimensions(mm)							
	A	B	C Max.	D	E	F Ref.	G Ref.	H Ref.
CLD3D16	3.8 ± 0.2	3.8 ± 0.2	1.8	1.15	5.2	1.6	1.2	4.4
CLD3D18	3.8 ± 0.2	3.8 ± 0.2	2.0	1.15	5.2	1.6	1.2	4.4
CLD3D28	3.8 ± 0.2	3.8 ± 0.2	3.1	1.15	5.2	1.6	1.2	4.4
CLD4D18	4.7 ± 0.3	4.7 ± 0.3	2.0	1.50	6.9	1.9	1.5	5.3
CLD4D28	4.7 ± 0.3	4.7 ± 0.3	3.0	1.50	6.9	1.9	1.5	5.3
CLD5D18	5.7 ± 0.3	5.7 ± 0.3	2.0	2.00	8.2	2.15	2.0	6.3
CLD5D28	5.7 ± 0.3	5.7 ± 0.3	3.0	2.00	8.2	2.15	2.0	6.3
CLD6D28	6.7 ± 0.3	6.7 ± 0.3	3.0	2.00	9.5	2.65	2.0	7.3
CLD6D38	6.7 ± 0.3	6.7 ± 0.3	4.0	2.00	9.5	2.65	2.0	7.3



Series	Dimensions(mm)							
	A	B	C Max.	D	E	F Ref.	G Ref.	H Ref.
CLD8D28	8.0 ± 0.3	8.0 ± 0.3	3.0 Max.	6.3	2.5	10.1	6.1	2.8
CLD8D38	8.0 ± 0.3	8.0 ± 0.3	4.0 Max.	6.3	2.5	10.1	6.1	2.8
CLD8D43	8.0 ± 0.3	8.0 ± 0.3	4.5 Max.	6.3	2.5	10.1	6.1	2.8

Note:

Rated current: The DC current at which the inductance decreases to 65% of its initial value or when $\Delta t = 40^\circ\text{C}$, whichever is lower ($T_a = 25^\circ\text{C}$)



Specifications subject to change without notice.

DONGGUAN CILAISHUN ELECTRONICS CO., LTD.

Tel: 0769-82197801 Fax: 0769-82197829 E-mail: sales@cilaishun.com Web: http://www.cilaishun.com



SMD Power Inductors

ELECTRICAL CHARACTERISTICS

Part Number	L (μ H)	Test Freq. (KHz)	DCR Max. (Ω)	Heat Rating Current (A)
CLD3D16 Series				
CLD3D16-R47N	0.47	100	0.035	2.75
CLD3D16-1R0N	1.0	100	0.050	1.90
CLD3D16-1R5N	1.5	100	0.052	1.55
CLD3D16-2R2N	2.2	100	0.072	1.20
CLD3D16-3R3N	3.3	100	0.085	1.10
CLD3D16-4R7N	4.7	100	0.105	0.90
CLD3D16-6R8N	6.8	100	0.170	0.73
CLD3D16-100N	10	100	0.210	0.55
CLD3D16-150N	15	100	0.295	0.45
CLD3D16-220N	22	100	0.430	0.40
CLD3D16-330N	33	100	0.675	0.32
CLD3D18 Series				
CLD3D18-1R0N	1.0	100	0.050	2.80
CLD3D18-2R2N	2.2	100	0.063	1.80
CLD3D18-3R0N	3.0	100	0.069	1.60
CLD3D18-4R7N	4.7	100	0.108	1.35
CLD3D18-6R8N	6.8	100	0.150	1.10
CLD3D18-100N	10	100	0.205	0.90
CLD3D18-120N	12	100	0.275	0.80
CLD3D18-150N	15	100	0.302	0.75
CLD3D18-220N	22	100	0.424	0.60
CLD3D18-330N	33	100	0.640	0.50
CLD3D18-470N	47	100	0.964	0.40
CLD3D28 Series				
CLD3D28-100N	10	100	0.092	0.50
CLD3D28-120N	12	100	0.100	0.45
CLD3D28-150N	15	100	0.113	0.40
CLD3D28-180N	18	100	0.125	0.35
CLD3D28-220N	22	100	0.146	0.33
CLD3D28-270N	27	100	0.176	0.29
CLD3D28-330N	33	100	0.214	0.28
CLD3D28-390N	39	100	0.225	0.25
CLD3D28-470N	47	100	0.304	0.23
CLD3D28-560N	56	100	0.324	0.20
CLD3D28-680N	68	100	0.472	0.18
CLD3D28-820N	82	100	0.539	0.17
CLD3D28-101M	100	100	0.608	0.16

Note:

Rated current: The DC current at which the inductance decreases to 65% of its initial value or when $\Delta t = 40^{\circ}\text{C}$, whichever is lower ($T_a = 25^{\circ}\text{C}$)



Specifications subject to change without notice.

DONGGUAN CILAISHUN ELECTRONICS CO., LTD.

Tel: 0769-82197801 Fax: 0769-82197829 E-mail: sales@cilaishun.com Web: http://www.cilaishun.com



SMD Power Inductors

ELECTRICAL CHARACTERISTICS

Part Number	L (μ H)	Test Freq. (KHz)	DCR Max. (Ω)	Heat Rating Current (A)
CLD3D28-121M	120	100	0.757	0.13
CLD3D28-151M	150	100	0.882	0.12
CLD3D28-181M	180	100	1.130	0.11
CLD3D28-221M	220	100	1.269	0.10
CLD4D18 Series				
CLD4D18-1R0N	1.0	100	0.045	1.72
CLD4D18-2R2N	2.2	100	0.075	1.32
CLD4D18-2R7N	2.7	100	0.105	1.28
CLD4D18-3R3N	3.3	100	0.110	1.04
CLD4D18-3R9N	3.9	100	0.155	0.88
CLD4D18-4R7N	4.7	100	0.162	0.84
CLD4D18-5R6N	5.6	100	0.170	0.80
CLD4D18-6R8N	6.8	100	0.200	0.76
CLD4D18-8R2N	8.2	100	0.245	0.68
CLD4D18-100N	10	100	0.200	0.61
CLD4D18-120N	12	100	0.210	0.56
CLD4D18-150N	15	100	0.240	0.50
CLD4D18-180N	18	100	0.338	0.48
CLD4D18-220N	22	100	0.397	0.41
CLD4D18-270N	27	100	0.441	0.35
CLD4D18-330N	33	100	0.694	0.32
CLD4D18-390N	39	100	0.709	0.30
CLD4D18-470N	47	100	0.922	0.28
CLD4D18-560N	56	100	1.080	0.26
CLD4D18-680N	68	100	1.300	0.24
CLD4D18-820N	82	100	1.550	0.22
CLD4D18-101M	100	100	1.730	0.20
CLD4D18-121M	120	100	2.390	0.18
CLD4D18-151M	150	100	2.670	0.15
CLD4D18-181M	180	100	4.000	0.14
CLD4D28 Series				
CLD4D28-1R2N	1.2	100	0.024	2.56
CLD4D28-1R8N	1.8	100	0.028	2.20
CLD4D28-2R2N	2.2	100	0.031	2.04
CLD4D28-2R7N	2.7	100	0.043	1.60
CLD4D28-3R3N	3.3	100	0.049	1.57
CLD4D28-3R9N	3.9	100	0.065	1.44
CLD4D28-4R7N	4.7	100	0.072	1.32
CLD4D28-5R6N	5.6	100	0.101	1.17

Note:

Rated current: The DC current at which the inductance decreases to 65% of its initial value or when $\Delta t = 40^{\circ}\text{C}$, whichever is lower ($T_a = 25^{\circ}\text{C}$)



Specifications subject to change without notice.

DONGGUAN CILAISHUN ELECTRONICS CO., LTD.

Tel: 0769-82197801 Fax: 0769-82197829 E-mail: sales@cilaishun.com Web: http://www.cilaishun.com



SMD Power Inductors

ELECTRICAL CHARACTERISTICS

Part Number	L (μ H)	Test Freq. (KHz)	DCR Max. (Ω)	Heat Rating Current (A)
CLD4D28-6R8N	6.8	100	0.109	1.12
CLD4D28-8R2N	8.2	100	0.118	1.04
CLD4D28-100N	10	100	0.128	1.00
CLD4D28-120N	12	100	0.132	0.84
CLD4D28-150N	15	100	0.149	0.76
CLD4D28-180N	18	100	0.166	0.72
CLD4D28-220N	22	100	0.235	0.70
CLD4D28-270N	27	100	0.261	0.58
CLD4D28-330N	33	100	0.378	0.56
CLD4D28-390N	39	100	0.384	0.50
CLD4D28-470N	47	100	0.587	0.48
CLD4D28-560N	56	100	0.625	0.41
CLD4D28-680N	68	100	0.699	0.35
CLD4D28-820N	82	100	0.915	0.32
CLD4D28-101M	100	100	1.020	0.29
CLD4D28-121M	120	100	1.270	0.27
CLD4D28-151M	150	100	1.350	0.24
CLD4D28-181M	180	100	1.540	0.22
CLD4D28-221M	220	100	1.720	0.20
CLD4D28-271M	270	100	1.950	0.16
CLD4D28-331M	330	100	2.660	0.14
CLD4D28-391M	390	100	2.830	0.13
CLD5D18 Series				
CLD5D18-4R1N	4.1	100	0.057	1.95
CLD5D18-6R2N	6.2	100	0.096	1.40
CLD5D18-100N	10	100	0.124	1.20
CLD5D18-120N	12	100	0.153	1.10
CLD5D18-150N	15	100	0.196	0.97
CLD5D18-180N	18	100	0.210	0.85
CLD5D18-220N	22	100	0.290	0.80
CLD5D18-330N	33	100	0.386	0.65
CLD5D18-470N	47	100	0.595	0.54
CLD5D18-680N	68	100	0.840	0.43
CLD5D18-820N	82	100	0.978	0.41
CLD5D18-101M	100	100	1.200	0.36
CLD5D18-121M	120	100	1.500	0.33
CLD5D18-151M	150	100	1.710	0.31
CLD5D18-181M	180	100	2.240	0.28
CLD5D28 Series				

Note:

Rated current: The DC current at which the inductance decreases to 65% of its initial value or when $\Delta t = 40^{\circ}\text{C}$, whichever is lower ($T_a = 25^{\circ}\text{C}$)



Specifications subject to change without notice.

DONGGUAN CILAISHUN ELECTRONICS CO., LTD.

Tel: 0769-82197801 Fax: 0769-82197829 E-mail: sales@cilaishun.com Web: http://www.cilaishun.com



SMD Power Inductors

ELECTRICAL CHARACTERISTICS

Part Number	L (μ H)	Test Freq. (KHz)	DCR Max. (Ω)	Heat Rating Current (A)
CLD5D28-1R0N	1.0	100	0.015	2.80
CLD5D28-2R2N	2.2	100	0.023	2.60
CLD5D28-5R6N	5.6	100	0.038	1.90
CLD5D28-8R2N	8.2	100	0.053	1.60
CLD5D28-100N	10	100	0.065	1.30
CLD5D28-120N	12	100	0.076	1.20
CLD5D28-180N	18	100	0.110	1.00
CLD5D28-220N	22	100	0.122	0.90
CLD5D28-330N	33	100	0.189	0.75
CLD5D28-470N	47	100	0.260	0.62
CLD5D28-680N	68	100	0.355	0.52
CLD5D28-101M	100	100	0.520	0.42
CLD5D28-151M	150	100	0.680	0.35
CLD5D28-181M	180	100	0.930	0.32
CLD5D28-221M	220	100	1.150	0.30
CLD5D28-271M	270	100	1.560	0.27
CLD5D28-331M	330	100	1.980	0.25
CLD6D28 Series				
CLD6D28-3R0N	3.0	10	0.024	3.00
CLD6D28-3R9N	3.9	10	0.027	2.60
CLD6D28-5R0N	5.0	10	0.031	2.40
CLD6D28-6R0N	6.0	10	0.035	2.25
CLD6D28-7R3N	7.3	10	0.054	2.10
CLD6D28-8R6N	8.6	10	0.058	1.85
CLD6D28-100N	10	10	0.065	1.70
CLD6D28-120N	12	10	0.070	1.55
CLD6D28-150N	15	10	0.084	1.40
CLD6D28-180N	18	10	0.095	1.32
CLD6D28-220N	22	10	0.128	1.20
CLD6D28-270N	27	10	0.142	1.05
CLD6D28-330N	33	10	0.165	0.97
CLD6D28-390N	39	10	0.210	0.86
CLD6D28-470N	47	10	0.238	0.80
CLD6D28-560N	56	10	0.277	0.73
CLD6D28-680N	68	10	0.304	0.65
CLD6D28-820N	82.0	10	0.390	0.60
CLD6D28-101M	100	10	0.535	0.54
CLD6D28-121M	120	10	0.750	0.51
CLD6D28-151M	150	10	0.950	0.47

Note:

Rated current: The DC current at which the inductance decreases to 65% of its initial value or when $\Delta t = 40^{\circ}\text{C}$, whichever is lower ($T_a = 25^{\circ}\text{C}$)



Specifications subject to change without notice.

DONGGUAN CILAISHUN ELECTRONICS CO., LTD.

Tel: 0769-82197801 Fax: 0769-82197829 E-mail: sales@cilaishun.com Web: http://www.cilaishun.com



SMD Power Inductors

ELECTRICAL CHARACTERISTICS

Part Number	L (μ H)	Test Freq. (KHz)	DCR Max. (Ω)	Heat Rating Current (A)
CLD6D28-181M	180	10	1.200	0.41
CLD6D28-221M	220	10	1.500	0.37
CLD6D28-271M	270	10	1.700	0.33
CLD6D28-331M	330	10	2.150	0.28
CLD6D28-391M	390	10	2.250	0.27
CLD6D28-471M	470	10	3.150	0.21
CLD6D38 Series				
CLD6D38-3R0N	3.0	10	0.020	3.50
CLD6D38-5R0N	5.0	10	0.024	2.90
CLD6D38-6R2N	6.2	10	0.027	2.50
CLD6D38-7R3N	7.3	10	0.031	2.30
CLD6D38-8R6N	8.6	10	0.034	2.20
CLD6D38-100N	10	10	0.038	2.00
CLD6D38-120N	12	10	0.053	1.70
CLD6D38-150N	15	10	0.057	1.60
CLD6D38-180N	18	10	0.092	1.50
CLD6D38-220N	22	10	0.096	1.30
CLD6D38-270N	27	10	0.109	1.20
CLD6D38-330N	33	10	0.124	1.10
CLD6D38-390N	39	10	0.138	1.00
CLD6D38-470N	47	10	0.155	0.95
CLD6D38-560N	56	10	0.202	0.85
CLD6D38-680N	68	10	0.234	0.75
CLD6D38-820N	82	10	0.324	0.70
CLD6D38-101M	100	10	0.358	0.65
CLD6D38-121M	120	10	0.470	0.59
CLD6D38-151M	150	10	0.580	0.54
CLD6D38-181M	180	10	0.690	0.49
CLD6D38-221M	220	10	0.890	0.43
CLD6D38-271M	270	10	1.290	0.40
CLD6D38-331M	330	10	1.700	0.37
CLD6D38-391M	390	10	1.750	0.34
CLD6D38-471M	470	10	2.200	0.32
CLD6D38-561M	560	10	2.850	0.29
CLD6D38-681M	680	10	3.200	0.25

Note:

Rated current: The DC current at which the inductance decreases to 65% of its initial value or when $\Delta t = 40^{\circ}\text{C}$, whichever is lower ($T_a = 25^{\circ}\text{C}$)



Specifications subject to change without notice.

DONGGUAN CILAI SHUN ELECTRONICS CO., LTD.

Tel: 0769-82197801 Fax: 0769-82197829 E-mail: sales@cilaishun.com Web: http://www.cilaishun.com



SMD Power Inductors

ELECTRICAL CHARACTERISTICS

Part Number	L (μ H)	Test Freq. (KHz)	DCR Max. (Ω)	Saturation Current (A)	Heat Rating Current (A)
CLD8D28 Series					
CLD8D28-1R0N	1.0	100	0.011	6.50	7.00
CLD8D28-2R5N	2.5	100	0.016	4.50	6.40
CLD8D28-3R3N	3.3	100	0.019	4.00	6.00
CLD8D28-4R7N	4.7	100	0.025	3.40	4.50
CLD8D28-7R3N	7.3	100	0.039	2.80	3.40
CLD8D28-100N	10	100	0.047	2.50	3.20
CLD8D28-150N	15	100	0.069	1.90	2.35
CLD8D28-220N	22	100	0.099	1.60	1.85
CLD8D28-330N	33	100	0.156	1.30	1.49
CLD8D28-470N	47	100	0.195	1.15	1.30
CLD8D28-680N	68	100	0.286	0.92	0.98
CLD8D28-101M	100	100	0.430	0.75	0.80
CLD8D38 Series					
CLD8D38-1R8N	1.8	100	0.016	7.00	6.80
CLD8D38-2R5N	2.5	100	0.018	6.50	6.00
CLD8D38-3R3N	3.3	100	0.024	5.00	5.20
CLD8D38-4R7N	4.7	100	0.029	4.60	4.40
CLD8D38-6R0N	6.0	100	0.032	4.20	4.00
CLD8D38-100N	10	100	0.048	3.00	3.20
CLD8D38-150N	15	100	0.067	2.75	2.50
CLD8D38-220N	22	100	0.105	2.30	2.00
CLD8D38-330N	33	100	0.157	1.75	1.60
CLD8D38-470N	47	100	0.189	1.52	1.42
CLD8D38-680N	68	100	0.290	1.30	1.08
CLD8D38-101M	100	100	0.410	1.05	0.88
CLD8D43 Series					
CLD8D43-1R0N	1.0	100	0.010	8.50	6.60
CLD8D43-1R2N	1.2	100	0.013	8.00	6.20
CLD8D43-2R2N	2.2	100	0.014	7.00	5.50
CLD8D43-3R9N	3.9	100	0.019	5.90	4.50
CLD8D43-4R7N	4.7	100	0.022	5.60	4.10
CLD8D43-6R8N	6.8	100	0.025	4.40	3.90
CLD8D43-100N	10	100	0.036	4.00	3.20
CLD8D43-150N	15	100	0.053	2.90	2.30
CLD8D43-220N	22	100	0.075	2.60	1.80
CLD8D43-330N	33	100	0.125	2.20	1.40
CLD8D43-470N	47	100	0.150	1.80	1.30
CLD8D43-680N	68	100	0.240	1.50	1.00
CLD8D43-101M	100	100	0.360	1.30	0.80

Note:

Rated current: The DC current at which the inductance decreases to 65% of its initial value or when $\Delta t = 40^\circ\text{C}$, whichever is lower ($T_a = 25^\circ\text{C}$)



Specifications subject to change without notice.

DONGGUAN CILAISHUN ELECTRONICS CO., LTD.

Tel: 0769-82197801 Fax: 0769-82197829 E-mail: sales@cilaishun.com Web: http://www.cilaishun.com

