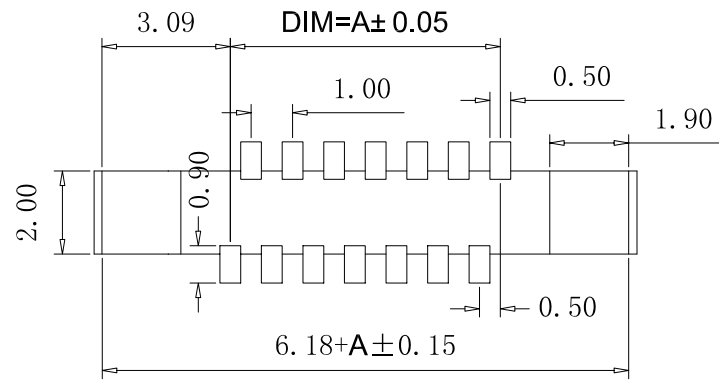
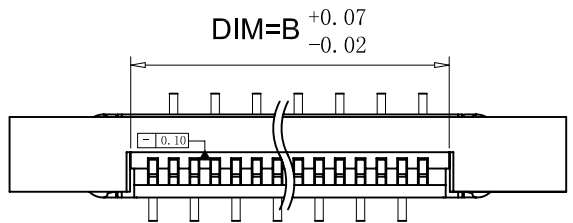
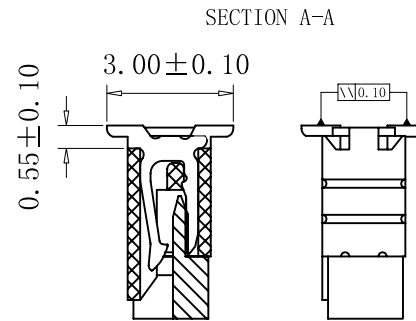
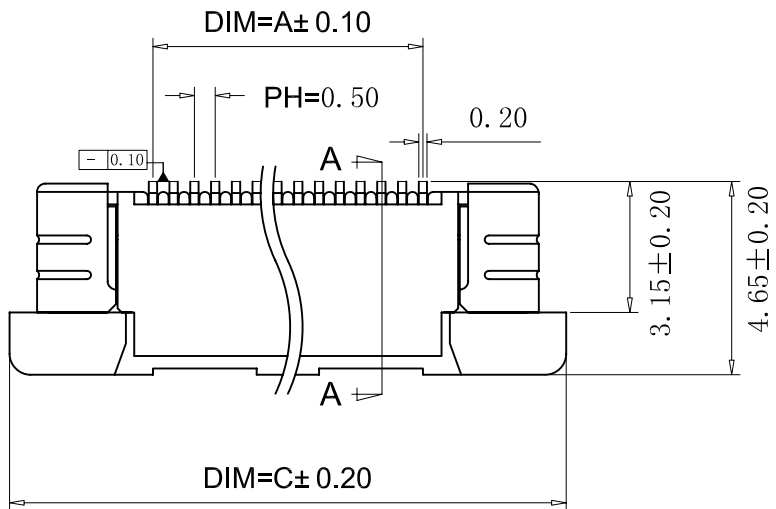
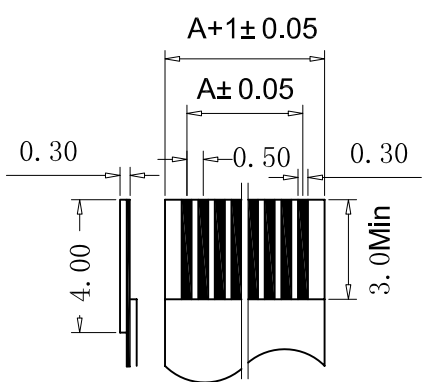
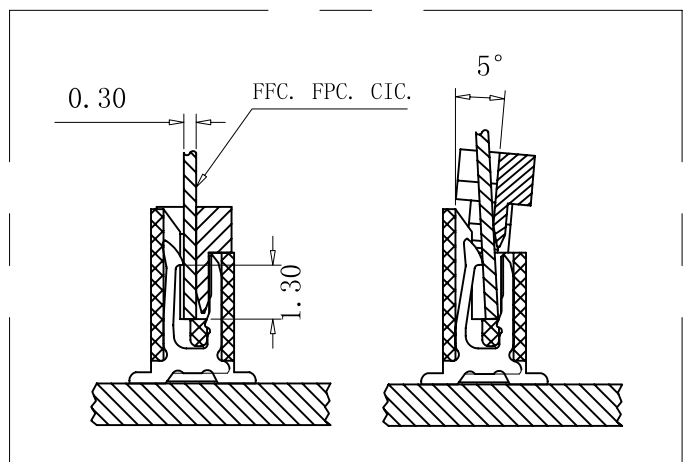


REV.	ECN NO.	LOCAS.	DESCRIPTION	DATE	DESIGN
A0					HANG



PCB Layout

PIN	A	B	C	PIN	A	B	C
4	1.50	2.57	8.40	35	17.00	18.07	23.90
5	2.00	3.07	8.90	36	17.50	18.57	24.40
6	2.50	3.57	9.40	37	18.00	19.07	24.90
7	3.00	4.07	9.90	38	18.50	19.57	25.40
8	3.50	4.57	10.40	39	19.00	20.07	25.90
9	4.00	5.07	10.90	40	19.50	20.57	26.40
10	4.50	5.57	11.40	41	20.00	21.07	26.90
11	5.00	6.07	11.90	42	20.50	21.57	27.40
12	5.50	6.57	12.40	43	21.00	22.07	27.90
13	6.00	7.07	12.90	44	21.50	22.57	28.40
14	6.50	7.57	13.40	45	22.00	23.07	28.90
15	7.00	8.07	13.90	46	22.50	23.57	29.40
16	7.50	8.57	14.40	47	23.00	24.07	29.90
17	8.00	9.07	14.90	48	23.50	24.57	30.40
18	8.50	9.57	15.40	49	24.00	25.07	30.90
19	9.00	10.07	15.90	50	24.50	25.57	31.40
20	9.50	10.57	16.40	51	25.00	26.07	31.90
21	10.00	11.07	16.90	52	25.50	26.57	32.40
22	10.50	11.57	17.40	53	26.00	27.07	32.90
23	11.00	12.07	17.90	54	26.50	27.57	33.40
24	11.50	12.57	18.40	55	27.00	28.07	33.90
25	12.00	13.07	18.90	56	27.50	28.57	34.40
26	12.50	13.57	19.40	57	28.00	29.07	34.90
27	13.00	14.07	19.90	58	28.50	29.57	35.40
28	13.50	14.57	20.40	59	29.00	30.07	35.90
29	14.00	15.07	20.90	60	29.50	30.57	36.40
30	14.50	15.57	21.40	61	30.00	31.07	36.90
31	15.00	16.07	21.90	62	30.50	31.57	37.40
32	15.50	16.57	22.40	63	31.00	32.07	37.90
33	16.00	17.07	22.90	64	31.50	32.57	38.40
34	16.50	17.57	23.40				



间距: 0.5 mm
 温度范围: -25~+85°C
 额定电压: 50 V AC,DC
 额定电流: 0.5 A AC,DC
 接触电阻: 0.04 Ω
 绝缘电阻: 500 MΩ
 耐压: 200 V AC/minute

材料:
 壳体: LCP UL94V-0 本色
 锁扣: LCP UL94V-0 黑色
 接触针: 磷青铜(镀锡)
 焊片: 磷青铜(镀锡)

DIM	TOL	DIM	TOL
X.	±0.5*	X.X	±0.10
X.X*	±0.1*	X.XX	±0.05

LASTAR Lastar Technology CO., LTD

DRAW NO.	050-110-XX	DATE	DRAW NAME: FPC Pitch0.5mm ZIF SMT 立式	
DESIGN	HANG	070505	P/N NO. FPC-050-110-XX01-321	
CHECK	WANGCM	070506	FILE:	MODEL:
APPROVED	HUYX	070506	REV. B	SCALE N/A