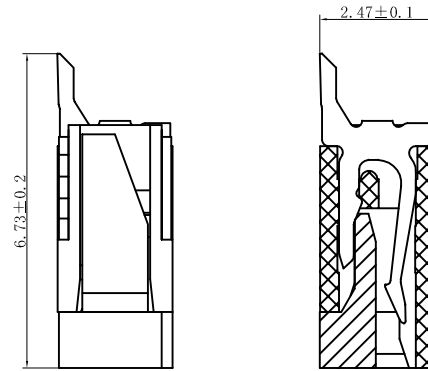
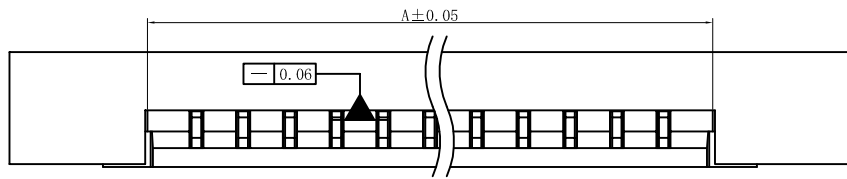
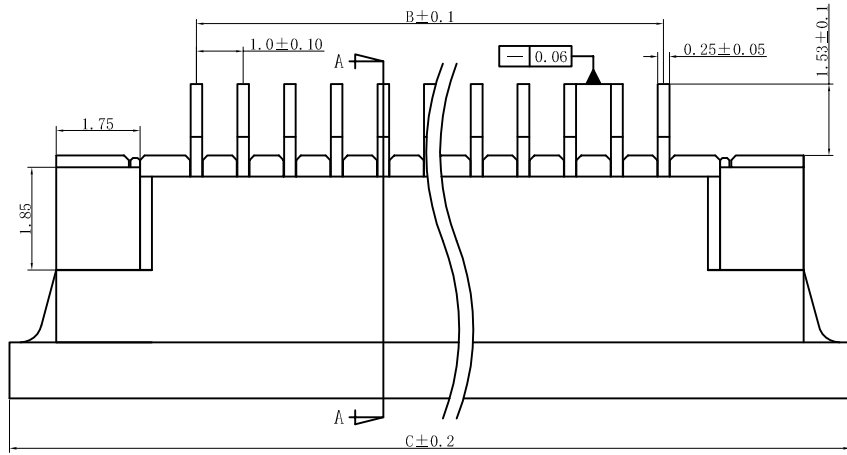


REV.	ECN NO.	LOCAS.	DESCRIPTION	DATE	DESIGN
A0				070505	HANG
B			弹片外形更新	160715	RYAN
C			弹片外形更新	171007	RYAN



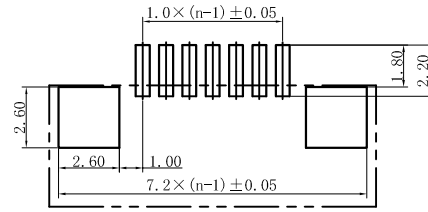
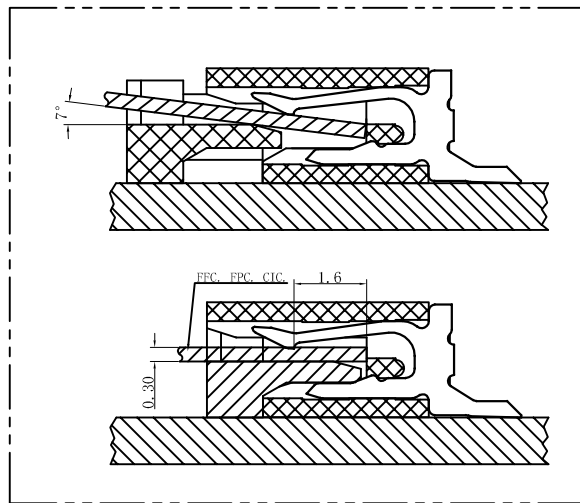
NO. of Contacts (n)	Dimensions		
	A	B	C
4	5.1	3.0	11.0
5	6.1	4.0	12.0
6	7.1	5.0	13.0
7	8.1	6.0	14.0
8	9.1	7.0	15.0
9	10.1	8.0	16.0
10	11.1	9.0	17.0
11	12.1	10.0	18.0
12	13.1	11.0	19.0
13	14.1	12.0	20.0
14	15.1	13.0	21.0
15	16.1	14.0	22.0
16	17.1	15.0	23.0
17	18.1	16.0	24.0
18	19.1	17.0	25.0
19	20.1	18.0	26.0
20	21.1	19.0	27.0
21	22.1	20.0	28.0
22	23.1	21.0	29.0
23	24.1	22.0	30.0
24	25.1	23.0	31.0
25	26.1	24.0	32.0
26	27.1	25.0	33.0
27	28.1	26.0	34.0
28	29.1	27.0	35.0
29	30.1	28.0	36.0
30	31.1	29.0	37.0
31	32.1	30.0	38.0
32	33.1	31.0	39.0

主要技术特性:

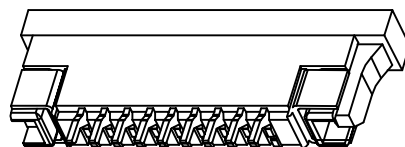
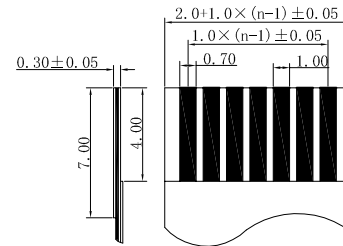
间距: 1.0 mm  
极数: 4~32  
额定电压: 50V AC, DC  
额定电流: 0.5A  
温度范围: -25°C~+85°C  
耐压: 200V/min  
接触电阻: ≤0.04 Ω  
绝缘电阻: ≥500M Ω

材料:

壳体: LCP UL94V-0 本色  
锁扣: LCP UL94V-0 黑色  
接触针: 磷青铜(镀锡)  
焊片: 磷青铜(镀锡)



PC BOARD LAYOUT



**LASTAR**

Lastar Technology CO., LTD

DRAW NO.	105-115-XX01	DATE	DRAW NAME:		
DESIGN	HANG	171007	FPC Pitch1.0mm 拉拔式 半包上接		
CHECK	WANGCM	171007	P/N NO.	FPC-105-115-XX01	FILE:
APPROVED	HUYX	171007	UNIT:	mm	SHEET:
				N/A	MODEL:
					REV. C
					SCALE N/A