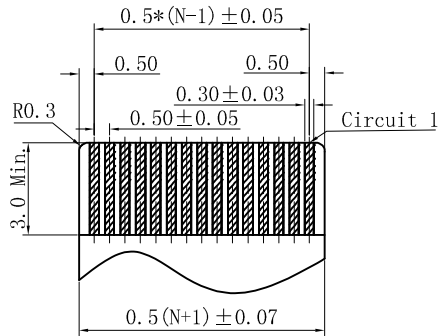
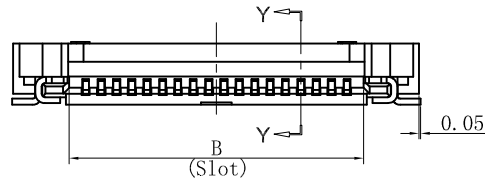


所有原料材质，生产制程，电镀必须符合RoHS要求

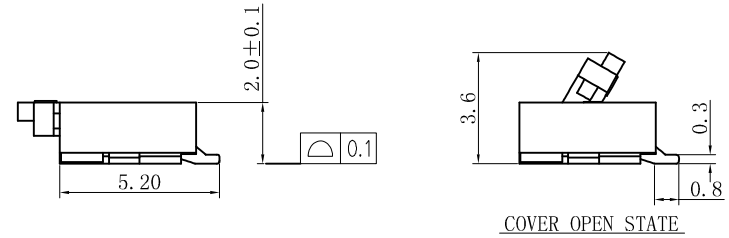
REV.	ECN NO.	LOCAS.	DESCRIPTION	DATE	DESIGN
A0			RELEASE TO CUSTOMER	121106	HANG
B			焊片更新	180119	RYAN



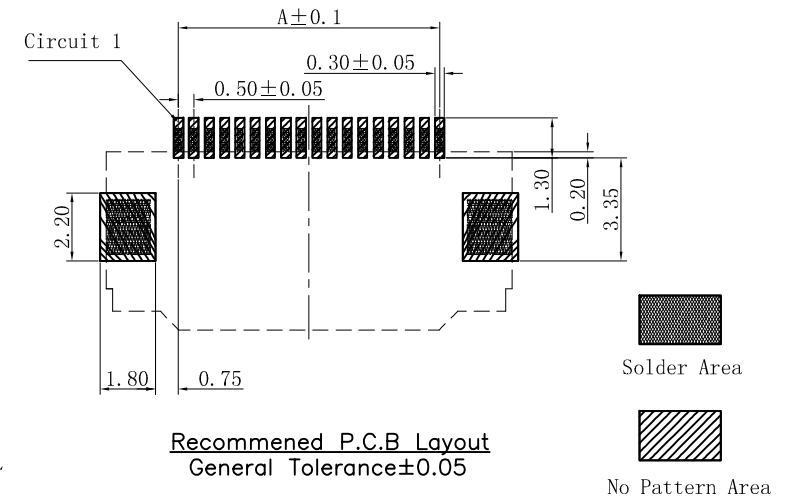
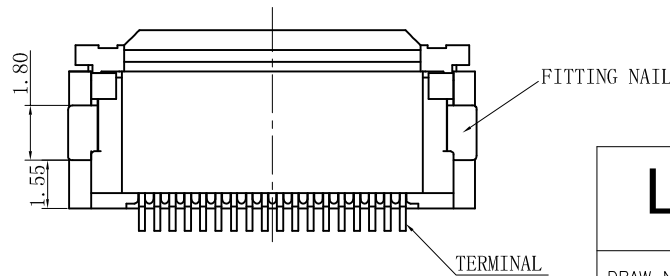
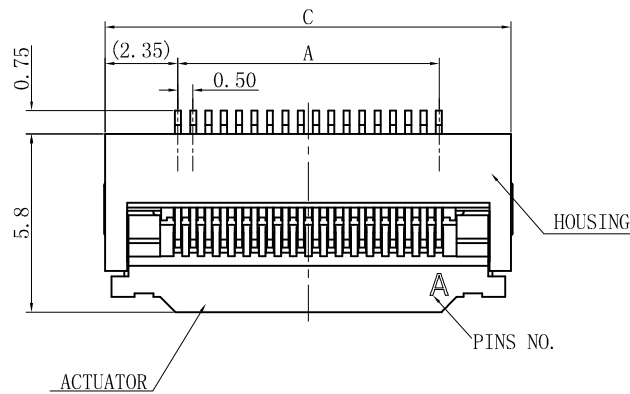
APPLICABLE FPC
RECOMMENDED DIM.
(THICKNESS: 0.3 ± 0.03)



Electrical
Voltage: 50V AC(rms)/DC
Current: 0.5A AC(rms)/DC
Contact Resistance: 40mΩ max(initial)
Dielectric Withstanding Voltage: 200V AC/rms
Insulation Resistance: 500MΩ min
Operating Temp: -40°C ~ +85°C



PIN	Dim A	Dim B	Dim C	PIN	Dim A	Dim B	Dim C
04	1.50	2.56	6.2	33	16.00	17.06	20.7
05	2.00	3.06	6.7	34	16.50	17.56	21.2
06	2.50	3.56	7.2	35	17.00	18.06	21.7
07	3.00	4.06	7.7	36	17.50	18.56	22.2
08	3.50	4.56	8.2	37	18.00	19.06	22.7
09	4.00	5.06	8.7	38	18.50	19.56	23.2
10	4.50	5.56	9.2	39	19.00	20.06	23.7
11	5.00	6.06	9.7	40	19.50	20.56	24.2
12	5.50	6.56	10.2	41	20.00	21.06	24.7
13	6.00	7.06	10.7	42	20.50	21.56	25.2
14	6.50	7.56	11.2	43	21.00	22.06	25.7
15	7.00	8.06	11.7	44	21.50	22.56	26.2
16	7.50	8.56	12.2	45	22.00	23.06	26.7
17	8.00	9.06	12.7	46	22.50	23.56	27.2
18	8.50	9.56	13.2	47	23.00	24.06	27.7
19	9.00	10.06	13.7	48	23.50	24.56	28.2
20	9.50	10.56	14.2	49	24.00	25.06	28.7
21	10.00	11.06	14.7	50	24.50	25.56	29.2
22	10.50	11.56	15.2	51	25.00	26.06	29.7
23	11.00	12.06	15.7	52	25.50	26.56	30.2
24	11.50	12.56	16.2	53	26.00	27.06	30.7
25	12.00	13.06	16.7	54	26.50	27.56	31.2
26	12.50	13.56	17.2	55	27.00	28.06	31.7
27	13.00	14.06	17.7	56	27.50	28.56	32.2
28	13.50	14.56	18.2	57	28.00	29.06	32.7
29	14.00	15.06	18.7	58	28.50	29.56	33.2
30	14.50	15.56	19.2	59	29.00	30.06	33.7
31	15.00	16.06	19.7	60	29.50	30.56	34.2
32	15.50	16.56	20.2				



Recommended P.C.B Layout
General Tolerance ± 0.05

LASTAR

Lastar Technology CO., LTD

TEL: 0755-27157971 FAX: 0755-27157976 Http://www.lsdconn.com

DRAW NO.		DATE	DRAW NAME:	
DESIGN	RYAN	180119	FPC 0.5MM 翻盖 H2.0	
CHECK	WANGCM	180119	P/N NO.	SHORT CODE
APPROVED	HUYX	180119	FPC-052-216-XX01	
			UNIT: mm	MODEL 01
			SHEET: N/A	REV. B SCALE N/A

DIM	TOL	DIM	TOL
X.	±0.30	X'	±4.0°
X.X	±0.25	X.X'	±3.0°
X.XX	±0.20	X.XX'	±2.0°
X.XXX	±0.10	X.XXX'	±1.0°

THIS DRAWING CONTAINS INFORMATION THAT IS PROVIDED BY LASTAR TECHNOLOGY AND SHOULD NOT BE USED WITHOUT WRITTEN PERMISSION