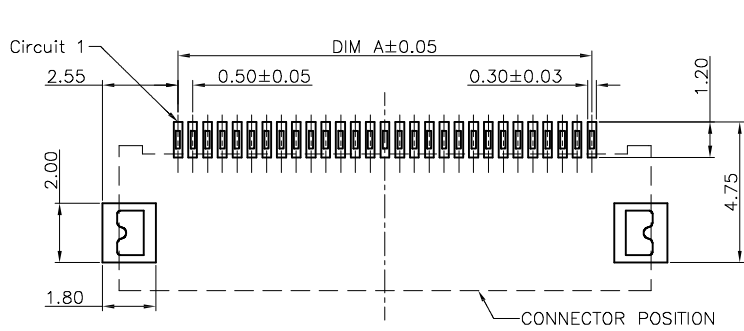
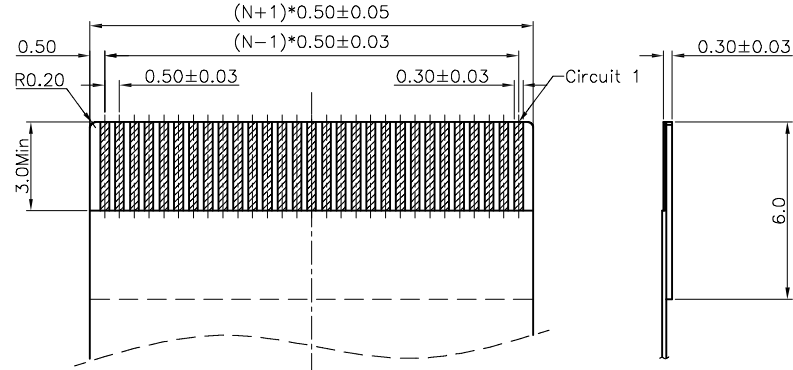


所有原料材质，生产制程，电镀必须符合RoHS要求

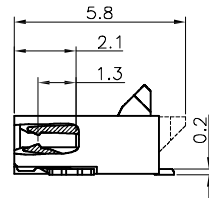
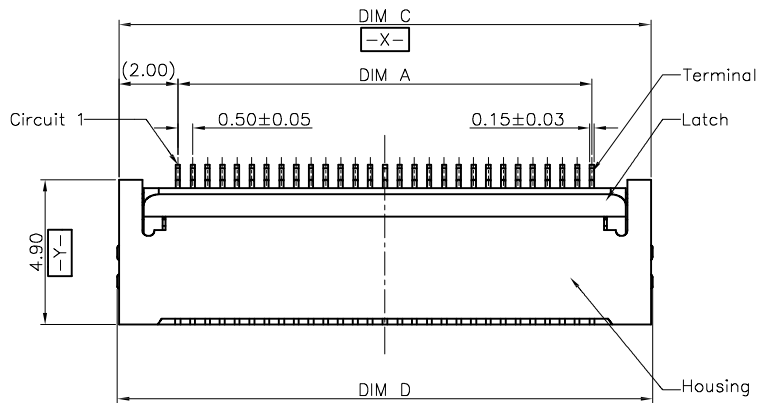
REV.	ECN NO.	LOCAS.	DESCRIPTION	DATE	DESIGN
AO			RELEASE TO CUSTOMER	150116	RYAN



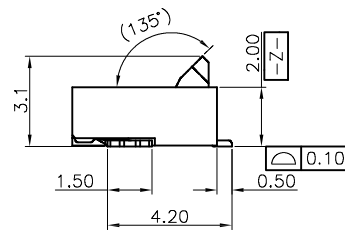
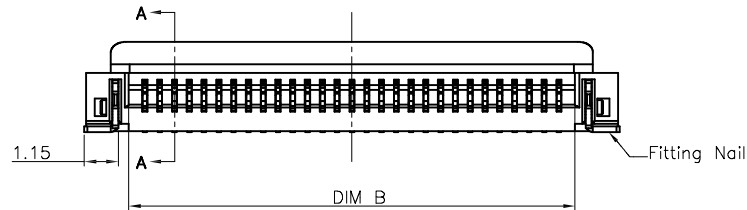
RECOMMENDED P.C.B. PATTERN LAYOUT



RECOMMENDED FPC/FFC DIMENSION



**SECTION A-A
SCALE 1:1**



PIN	DIM A	DIM B	DIM C	DIM D	PIN	DIM A	DIM B	DIM C	DIM D
4	1.50	2.60	5.50	5.60	31	15.00	16.10	19.00	19.10
5	2.00	3.10	6.00	6.10	32	15.50	16.60	19.50	19.60
6	2.50	3.60	6.50	6.60	33	16.00	17.10	20.00	20.10
7	3.00	4.10	7.00	7.10	34	16.50	17.60	20.50	20.60
8	3.50	4.60	7.50	7.60	35	17.00	18.10	21.00	21.10
9	4.00	5.10	8.00	8.10	36	17.50	18.60	21.50	21.60
10	4.50	5.60	8.50	8.60	37	18.00	19.10	22.00	22.10
11	5.00	6.10	9.00	9.10	38	18.50	19.60	22.50	22.60
12	5.50	6.60	9.50	9.60	39	19.00	20.10	23.00	23.10
13	6.00	7.10	10.00	10.10	40	19.50	20.60	23.50	23.60
14	6.50	7.60	10.50	10.60	41	20.00	21.10	24.00	24.10
15	7.00	8.10	11.00	11.10	42	20.50	21.60	24.50	24.60
16	7.50	8.60	11.50	11.60	43	21.00	22.10	25.00	25.10
17	8.00	9.10	12.00	12.10	44	21.50	22.60	25.50	25.60
18	8.50	9.60	12.50	12.60	45	22.00	23.10	26.00	26.10
19	9.00	10.10	13.00	13.10	46	22.50	23.60	26.50	26.60
20	9.50	10.60	13.50	13.60	47	23.00	24.10	27.00	27.10
21	10.00	11.10	14.00	14.10	48	23.50	24.60	27.50	27.60
22	10.50	11.60	14.50	14.60	49	24.00	25.10	28.00	28.10
23	11.00	12.10	15.00	15.10	50	24.50	25.60	28.50	28.60
24	11.50	12.60	15.50	15.60	51	25.00	26.10	29.00	29.10
25	12.00	13.10	16.00	16.10	52	25.50	26.60	29.50	29.60
26	12.50	13.60	16.50	16.60	53	26.00	27.10	30.00	30.10
27	13.00	14.10	17.00	17.10	54	26.50	27.60	30.50	30.60
28	13.50	14.60	17.50	17.60	55	27.00	28.10	31.00	31.10
29	14.00	15.10	18.00	18.10	56	27.50	28.60	31.50	31.60
30	14.50	15.60	18.50	18.60	57	28.00	29.10	32.00	32.10
					58	28.50	29.60	32.50	32.60
					59	29.00	30.10	33.00	33.10
					60	29.50	30.60	33.50	33.60

- Note:**
- Material:
 - Housing: thermoplastic high temp.UL94V-0; Color: natural.
 - Latch: thermoplastic high temp.UL94V-0; Color: black.
 - Terminal: copper alloy.
 - Fitting Nail: copper alloy.
 - Finsh:
 - Terminal:
 - Underplating: Au/matt Tin overall.
 - Fitting Nail:
 - Underplating: matt Tin overall.
 - Product must comply HF RoHS specification.

DIM	TOL	DIM	TOL
X.	±0.30	X'.	±4.0"
X.X	±0.25	X.X'	±3.0"
X.XX	±0.20	X.XX'	±2.0"
X.XXX	±0.10	X.XXX'	±1.0"

THIS DRAWING CONTAINS INFORMATION THAT IS PROVIDED BY LASTAR TECHNOLOGY AND SHOULD NOT BE USED WITHOUT WRITTEN PERMISSION

LASTAR

Lastar Technology CO., LTD

TEL:0755-27157971 FAX:0755-27157976 Http://www.lsdconn.com

DRAW NO.	052-216-xx29	DATE	DRAW NAME: FPC PITCH0.5MM H2.0 前插后掀		
DESIGN	RYAN	150116	P/N NO. FPC-052-216-xx29		SHORT CODE
CHECK	WANGCM	150116	UNIT: mm		SHEET: N/A
APPROVED	HUYX	150116	MODEL 29		REV. AO SCALE N/A