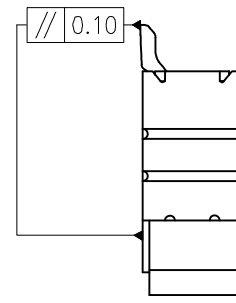
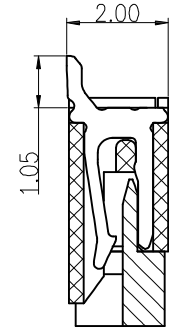
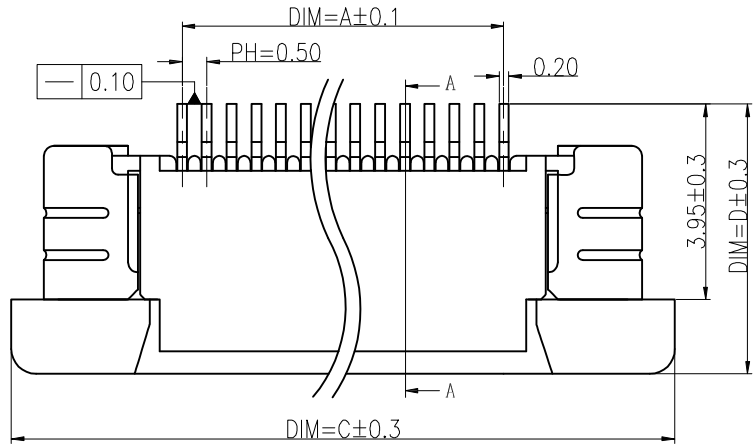
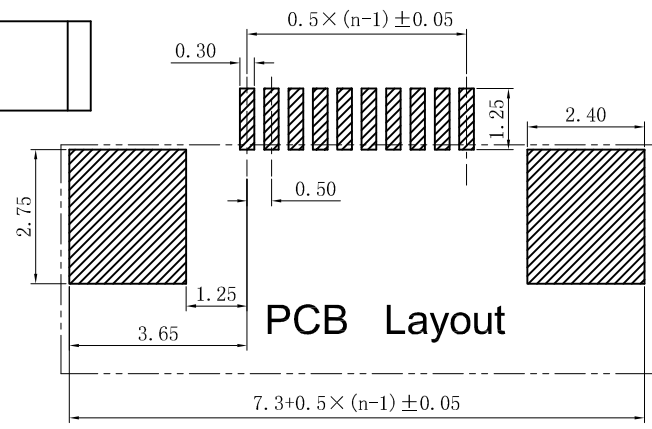
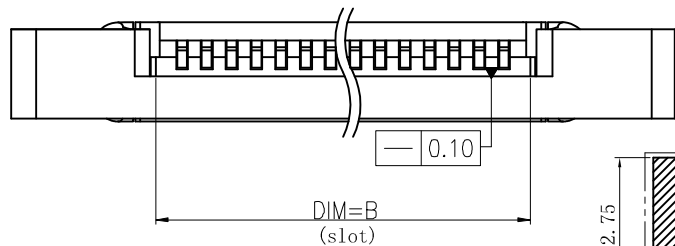


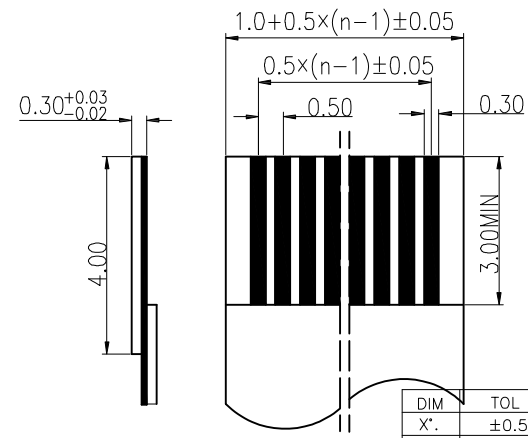
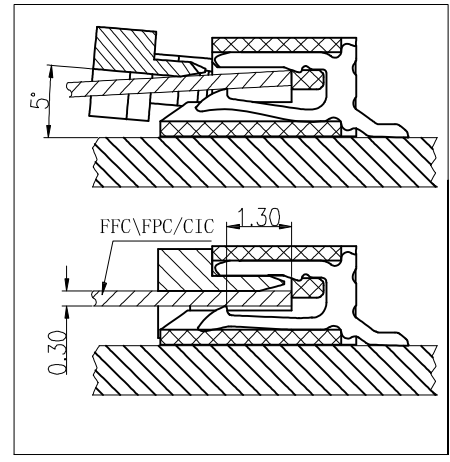
REV.	ECN NO.	LOCAS.	DESCRIPTION	DATE	DESIGN
AO			RELEASE TO CUSTOMER		HANG
D					HANG



SECTION A-A



PCB Layout



pin数	AB	C	D	pin数	AB	C	D
004	1.50	2.57	8.40	035	17.00	18.07	23.90
005	2.00	3.07	8.90	036	17.50	18.57	24.40
006	2.50	3.57	9.40	037	18.00	19.07	24.90
007	3.00	4.07	9.90	038	18.50	19.57	25.40
008	3.50	4.57	10.40	039	19.00	20.07	25.90
009	4.00	5.07	10.90	040	19.50	20.57	26.40
010	4.50	5.57	11.40	041	20.00	21.07	26.90
011	5.00	6.07	11.90	042	20.50	21.57	27.40
012	5.50	6.57	12.40	043	21.00	22.07	27.90
013	6.00	7.07	12.90	044	21.50	22.57	28.40
014	6.50	7.57	13.40	045	22.00	23.07	28.90
015	7.00	8.07	13.90	046	22.50	23.57	29.40
016	7.50	8.57	14.40	047	23.00	24.07	29.90
017	8.00	9.07	14.90	048	23.50	24.57	30.40
018	8.50	9.57	15.40	049	24.00	25.07	30.90
019	9.00	10.07	15.90	050	24.50	25.57	31.40
020	9.50	10.57	16.40	051	25.00	26.07	31.90
021	10.00	11.07	16.90	052	25.50	26.57	32.40
022	10.50	11.57	17.40	053	26.00	27.07	32.90
023	11.00	12.07	17.90	054	26.50	27.57	33.40
024	11.50	12.57	18.40	055	27.00	28.07	33.90
025	12.00	13.07	18.90	056	27.50	28.57	34.40
026	12.50	13.57	19.40	057	28.00	29.07	34.90
027	13.00	14.07	19.90	058	28.50	29.57	35.40
028	13.50	14.57	20.40	059	29.00	30.07	35.90
029	14.00	15.07	20.90	060	29.50	30.57	36.40
030	14.50	15.57	21.40	061	30.00	31.07	36.90
031	15.00	16.07	21.90	062	30.50	31.57	37.40
032	15.50	16.57	22.40	063	31.00	32.07	37.90
033	16.00	17.07	22.90	064	31.50	32.57	38.40
034	16.50	17.57	23.40				

LASTAR

Lastar Technology CO., LTD

DRAW NO.	052-116-XX	DATE	DRAW NAME: FPC 0.5MM 拉拔式全包下接		
DESIGN	HANG	180314	P/N NO. FPC-052-116-XX01		
CHECK	WANGCM	180314	UNIT: mm	SHEET: N/A	FILE: MODEL:
APPROVED	HUYX	180315	REV. D		SCALE N/A

DIM	TOL	DIM	TOL
X'	±0.5'	X.X	±0.10
X.X'	±0.1'	X.XX	±0.05