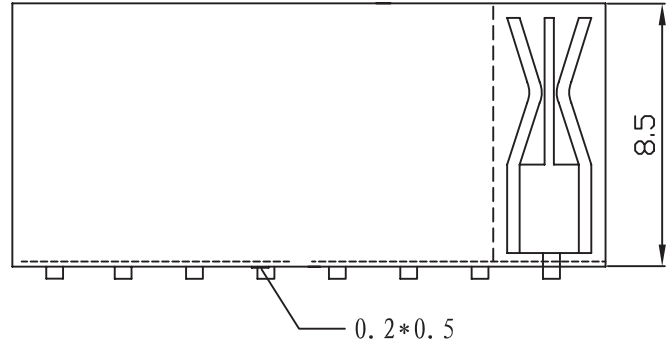


REV.	ECN NO.	LOCAS.	DESCRIPTION	DATE	DESIGN
A0					HANG



**SPECIFICATIONS:**

Current Rating: 1Amp

Insulator Resistance: 500Megohms min

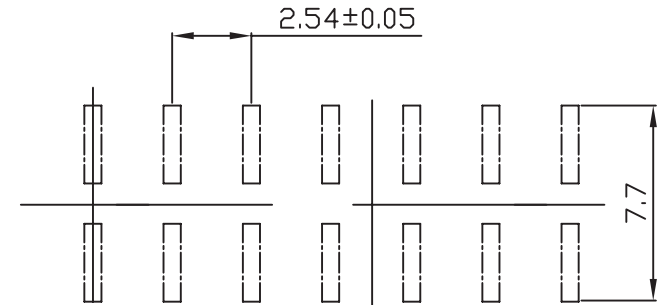
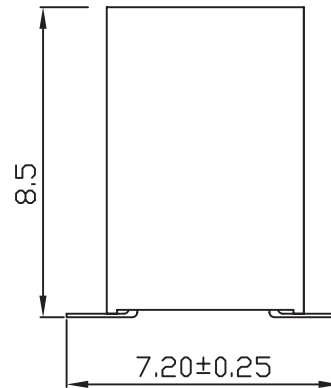
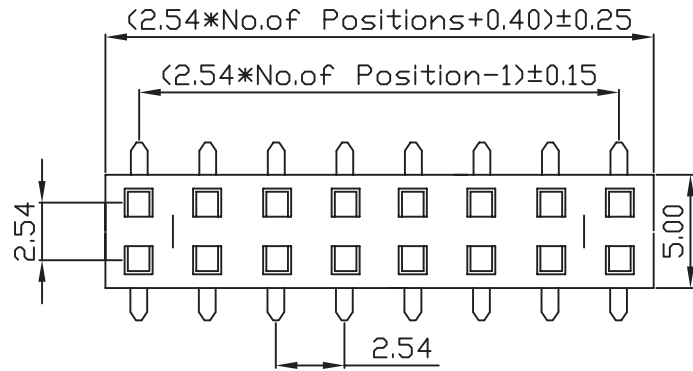
Dielectric withstanding: AC 500V

Operating Temperature: -40°C ~ +105°C

Contact Material: Brass

Insulator Material: NYLON-6T (UL94V-0)

Plating: Gold Flash All Over



Recommended P. C. B Layout

**LASTAR**

Lastar Technology CO., LTD

DRAW NO.	32XX-1A80-95	DATE	DRAW NAME: Female Header Pitch 2.54mm SMT		
DESIGN	HANG	070505	P/N NO. FH-32XX-1A80-95		FILE:
CHECK	WANGCM	070506	UNIT: mm		MODEL:
APPROVED	HUYX	070506	SHEET: N/A	REV. A0	SCALE N/A