

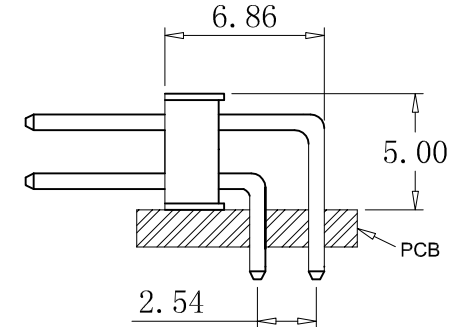
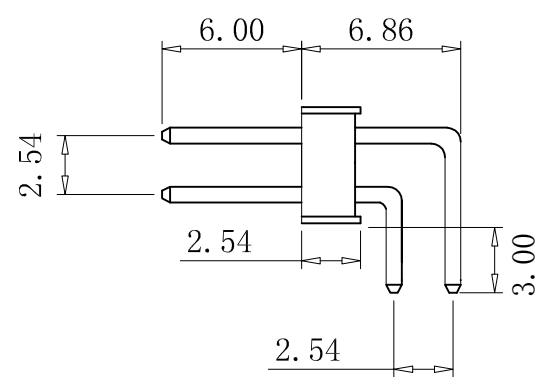
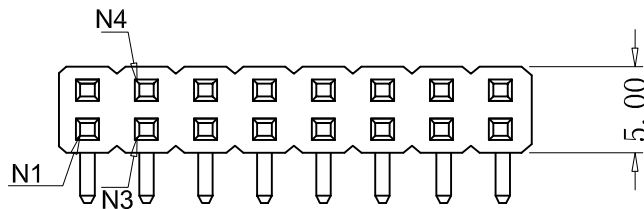
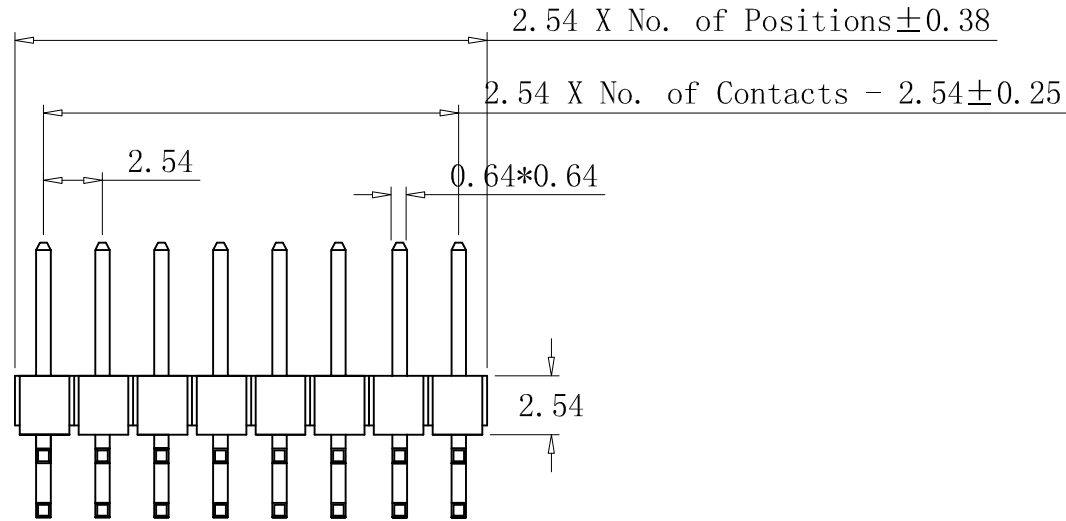
REV.	ECN NO.	LOCAS.	DESCRIPTION	DATE	DESIGN
A0				160401	RYAN
B				180712	JIANG

MATERIAL

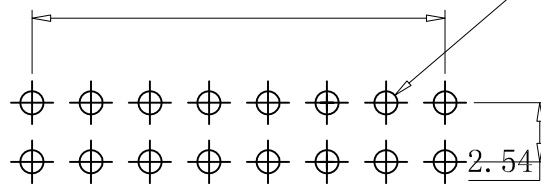
- 1.Contact: Copper Alloy
- 2.Insulator: Polyester UL94V-0,
PBT or PA6T
- All Material Must Be GP Materials

ELECTRICAL

- 1.Current Rating: 3Amp
- 2.Contact Resistance: 20mΩ Max
- 3.Insulation Resistance: 1000mΩ Min
- 4.Withstanding Volatage: 300V AC/DC
- 5.Operating temperatures: -40°C To +105°C



2.54 X No. of Contacts - 2.54 ± 0.25 $\phi 1.02$



Recommended P.C.B Hole Layout

LASTAR		Lastar Technology CO., LTD			
DRAW NO.	32XX-1CX0-95	DATE	DRAW NAME: Pin Header Pitch2.54mm Dual Row 2*nPin DIP90°		
DESIGN	JIANG	180712	P/N NO. PH-32XX-1CX0-95		FILE:
CHECK	WANGCM	180712	UNIT: mm		MODEL:
APPROVED	HUYX	180712	SHEET: N/A	REV. B	SCALE N/A