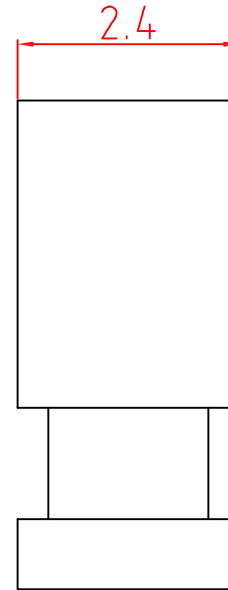
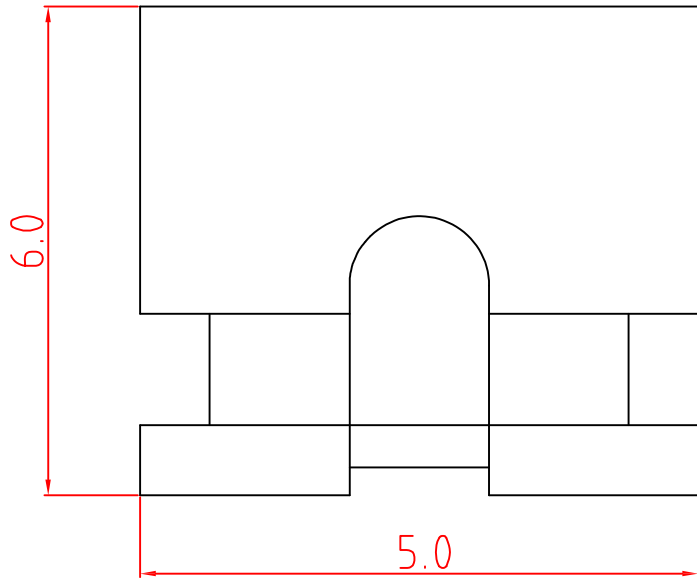
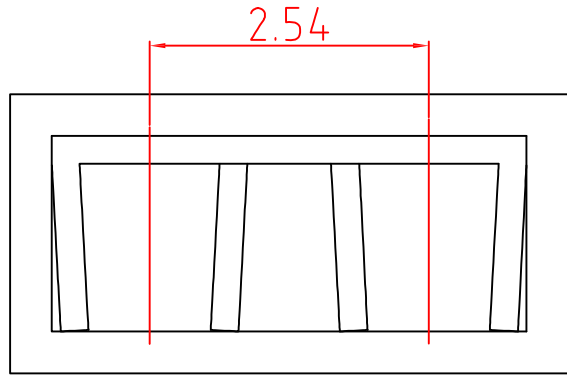


所有原料材质，生产制程，电镀必须符合RoHS要求

REV.	ECN NO.	LOCAS.	DESCRIPTION	DATE	DESIGN
A			RELEASE TO CUSTOMER	150116	YINC



SPECIFICATIONS:

Current Rating: 3Amp
 Insulator Resistance: 1000Megohms min
 Dielectric withstanding: AC 500V
 Operating Temperature: -55°~+105°
 Max Processing Temp: 180°for 5~10seconds
 Contact Material: C2680
 Insulator Material: PBT UL94V-0
 Plating: Ni
 Color; Yellow or Red Black

<table border="1"> <tr> <td>DIM</td> <td>TOL</td> <td>DIM</td> <td>TOL</td> </tr> <tr> <td>X.</td> <td>±0.30</td> <td>X".</td> <td>±4.0"</td> </tr> <tr> <td>X.X</td> <td>±0.25</td> <td>X.X"</td> <td>±3.0"</td> </tr> <tr> <td>X.XX</td> <td>±0.20</td> <td>X.XX"</td> <td>±2.0"</td> </tr> <tr> <td>X.XXX</td> <td>±0.10</td> <td>X.XXX"</td> <td>±1.0"</td> </tr> </table>				DIM	TOL	DIM	TOL	X.	±0.30	X".	±4.0"	X.X	±0.25	X.X"	±3.0"	X.XX	±0.20	X.XX"	±2.0"	X.XXX	±0.10	X.XXX"	±1.0"	DRAW NO. DESIGN CHECK APPROVED	DATE YINC ZHAOZZ HUXW	DATE 150116 150116 150116	 Http://www.lsdconn.com Http://www.asia-vit.com	<input checked="" type="checkbox"/> 深圳朗思达 <input type="checkbox"/> 香港朗思达 <input type="checkbox"/> 东莞共营 <input type="checkbox"/> 前海共赢 connector & cable	DRAW NAME: 跳线帽 2.54 2PIN 开口 短体 P/N NO. 40600003 UNIT: mm SHEET: N/A	SHORT CODE MODEL REV. A SCALE N/A
DIM	TOL	DIM	TOL																											
X.	±0.30	X".	±4.0"																											
X.X	±0.25	X.X"	±3.0"																											
X.XX	±0.20	X.XX"	±2.0"																											
X.XXX	±0.10	X.XXX"	±1.0"																											

THIS DRAWING CONTAINS INFORMATION THAT IS PROVIDED BY LASTAR TECHNOLOGY AND SHOULD NOT BE USED WITHOUT WRITTEN PERMISSION