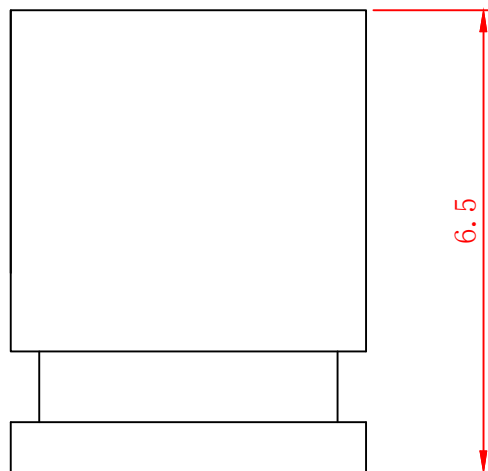
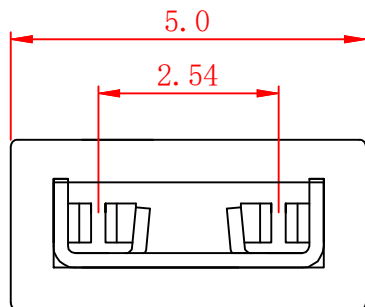


所有原料材质，生产制程，电镀必须符合RoHS要求

REV.	ECN NO.	LOCAS.	DESCRIPTION	DATE	DESIGN
A			RELEASE TO CUSTOMER	150116	YINC

SPECIFICATIONS:

Current Rating: 3Amp
 Insulator Resistance: 1000Megohms min
 Contact Resistance: $\leq 20m\Omega$
 Dielectric withstanding: AC 500V
 Operating Temperature: $-40^{\circ} \sim +85^{\circ}$
 Max Processing Temp 180°C for 5~10 seconds
 Contact Material: Brass
 Insulator Material: PBT UL 94V-0
 Plating: G/F



DIM	TOL	DIM	TOL
X.	± 0.30	X'	$\pm 4.0^{\circ}$
X.X	± 0.25	X.X'	$\pm 3.0^{\circ}$
X.XX	± 0.20	X.XX'	$\pm 2.0^{\circ}$
X.XXX	± 0.10	X.XXX'	$\pm 1.0^{\circ}$

THIS DRAWING CONTAINS INFORMATION THAT IS PROVIDED BY LASTAR TECHNOLOGY AND SHOULD NOT BE USED WITHOUT WRITTEN PERMISSION

DRAW NO.	DATE
DESIGN YINC	150116
CHECK ZHAOZZ	150116
APPROVED HUXW	150116



深圳朗思达 香港朗思达

深圳共营伟业 前海共赢

connector & cable

DRAW NAME: 跳线帽 2.54 2PIN 闭口 短体	
P/N NO. 40600001	SHORT CODE
UNIT: mm	SHEET: N/A
REV. A	SCALE N/A