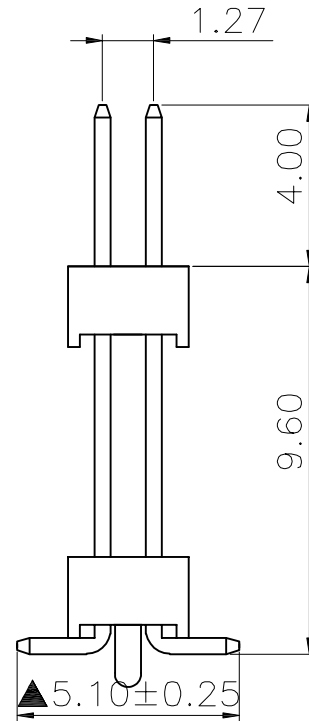
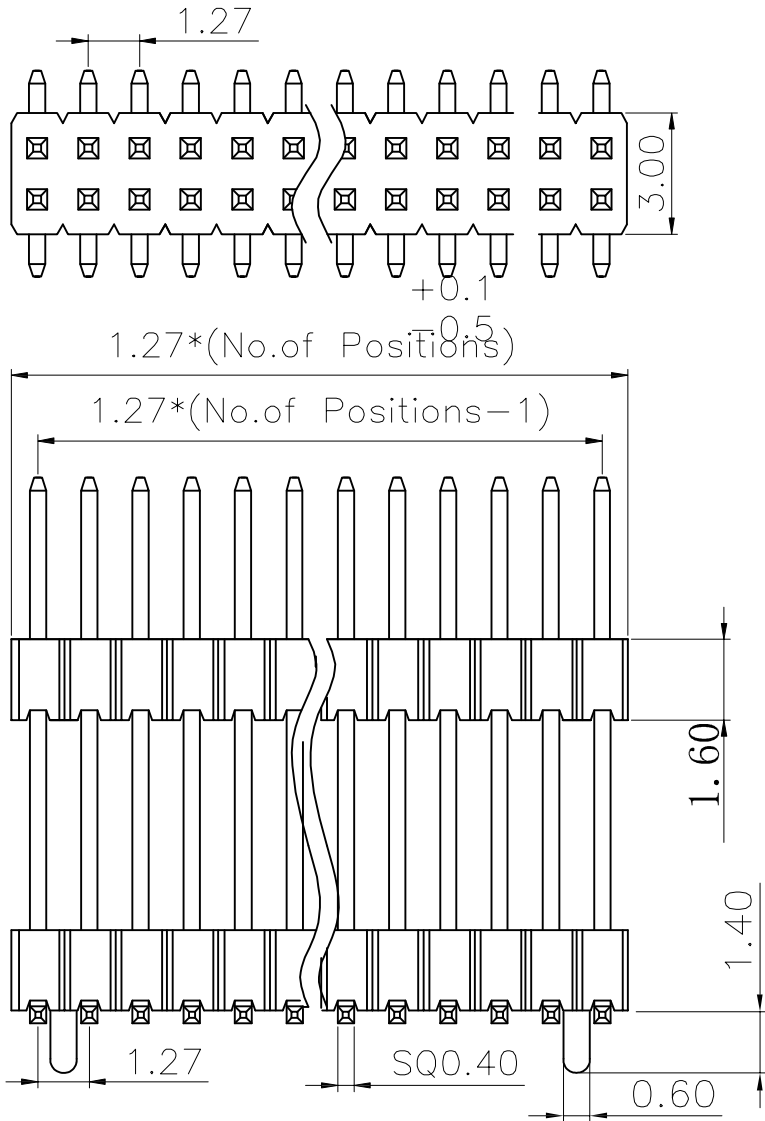


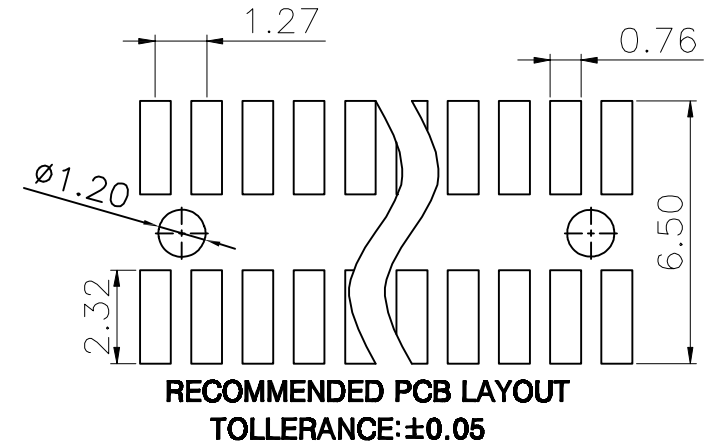
所有原料材质，生产制程，电镀必须符合RoHS要求

REV.	ECN NO.	LOCAS.	DESCRIPTION	DATE	DESIGN
A			RELEASE TO CUSTOMER	150116	YINC



SPECIFICATIONS

- Current Rating: 1 Amps
- Insulator Resistance: 1000 Megohms min.
- Dielectric Withstanding: AC 500V
- Operating Temp.: -40°C +105°C
- Max Processing Temp.: 230°C for 30 seconds (Nylon 6T) for 10 seconds
- Contact Material: Copper alloy
- Insulator Material: Nylon 6T (*Standard: 6T)
- Plated(*Standard): Gold flash all over



DIM	TOL	DIM	TOL
X.	±0.30	X".	±4.0"
X.X	±0.25	X.X"	±3.0"
X.XX	±0.20	X.XX"	±2.0"
X.XXX	±0.10	X.XXX"	±1.0"

THIS DRAWING CONTAINS INFORMATION THAT IS PROVIDED BY LASTAR TECHNOLOGY AND SHOULD NOT BE USED WITHOUT WRITTEN PERMISSION

DRAW NO.	1216-2AJ0-95	DATE	
DESIGN	YINC	150116	
CHECK	ZHAOZZ	150116	
APPROVED	HUXW	150116	



- 深圳朗思达 香港朗思达
- 东莞共营 前海共赢

connector & cable

DRAW NAME:		排针1.27 2x8PIN SMT+DIP 双塑 塑高1.6 有柱	
P/N NO.	PH-1216-2AJ0-95	SHORT CODE	40300186
UNIT:	mm	MODEL	95
SHEET:	N/A	REV. A	SCALE N/A