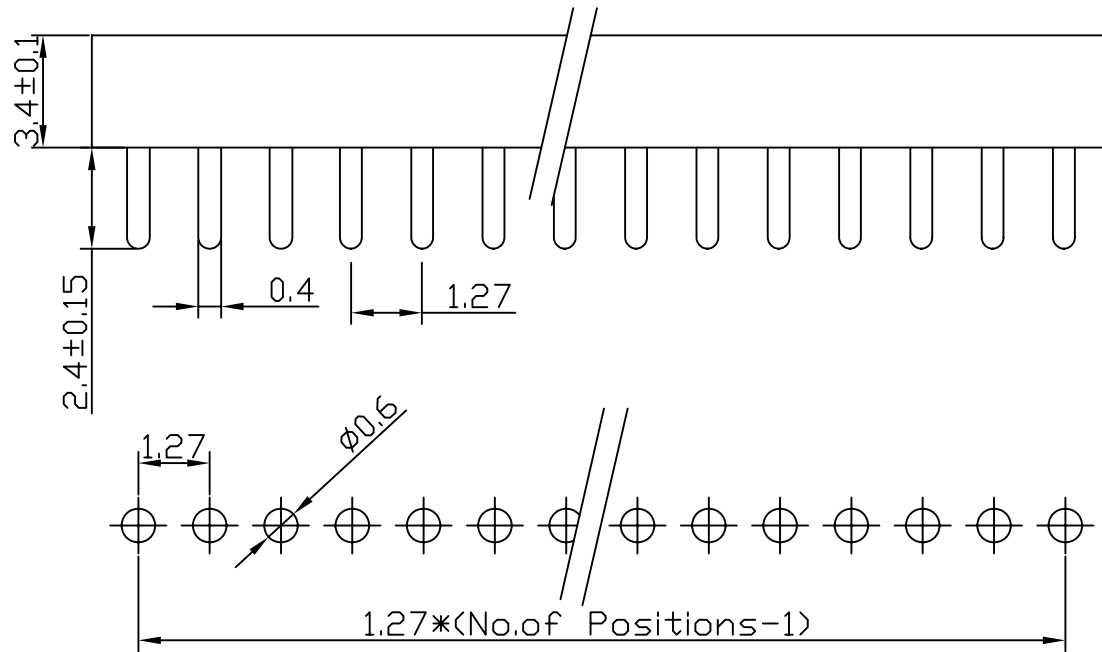
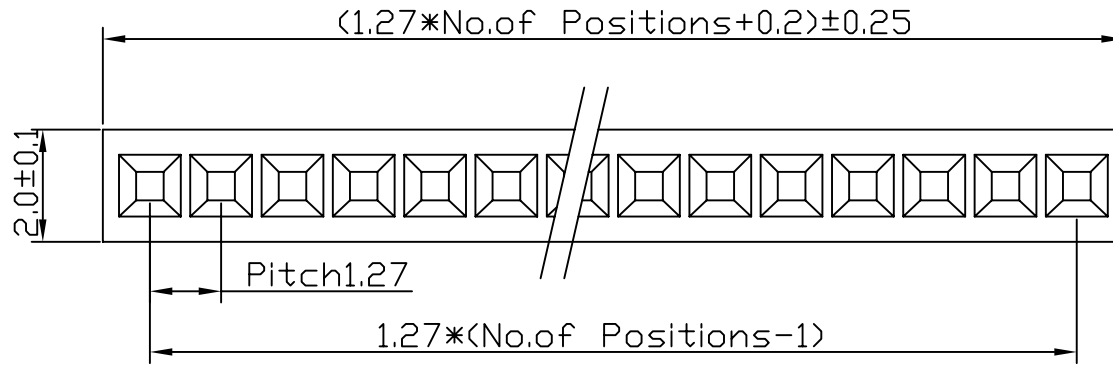


REV.	ECN NO.	LOCAS.	DESCRIPTION	DATE	DESIGN
A0			RELEASE TO CUSTOMER		HANG



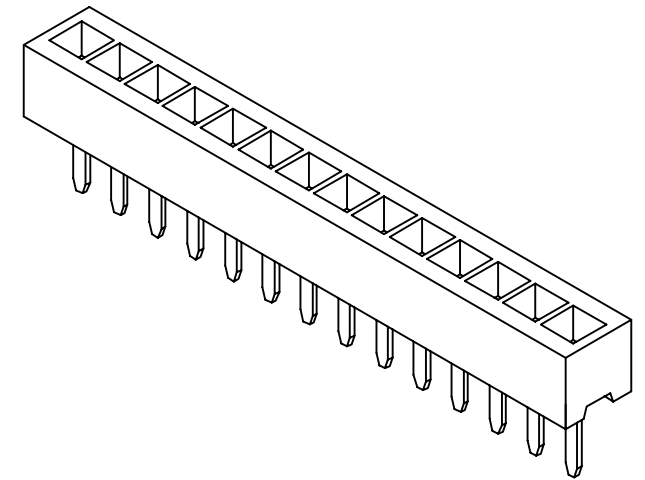
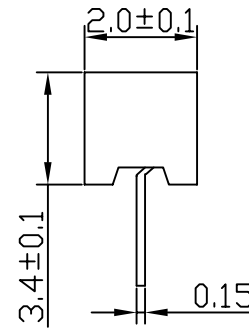
PCB LAYOUT

DIM	TOL	DIM	TOL
X.	±0.30	X".	±4.0"
X.X	±0.25	X.X"	±3.0"
X.XX	±0.20	X.XX"	±2.0"
X.XXX	±0.10	X.XXX"	±1.0"

THIS DRAWING CONTAINS INFORMATION THAT IS PROVIDED BY LASTAR TECHNOLOGY AND SHOULD NOT BE USED WITHOUT WRITTEN PERMISSION

SPECIFICATIONS:

Current Rating: 3 Amp
 Insulator Resistance: 1000 Megohms min.
 Dielectric Withstanding: AC 500V
 Operating Temp.: -40°C ~ +105°C
 Max Processing Temp.: 230°C for 30~60 seconds
 (260° C for 10 seconds)
 Contact Material: Phosphor Bronze
 Insulator Material: PBT or LCP (UL94V-0)
 (Standard: PBT)
 Plated (*Standard): Gold Flash all over



LASTAR

Lastar Technology CO., LTD

DRAW NO.	11XX-1DI0-96	DATE	DRAW NAME: Female Header Pitch 1.27mm 1x nPin DIP180°		
DESIGN	HANG	090505	P/N NO. FH-11XX-1DI0-95		FILE:
CHECK	WANGCM	090506	UNIT: mm	SHEET: N/A	MODEL:
APPROVED	HUYX	090506			REV. A0 SCALE N/A