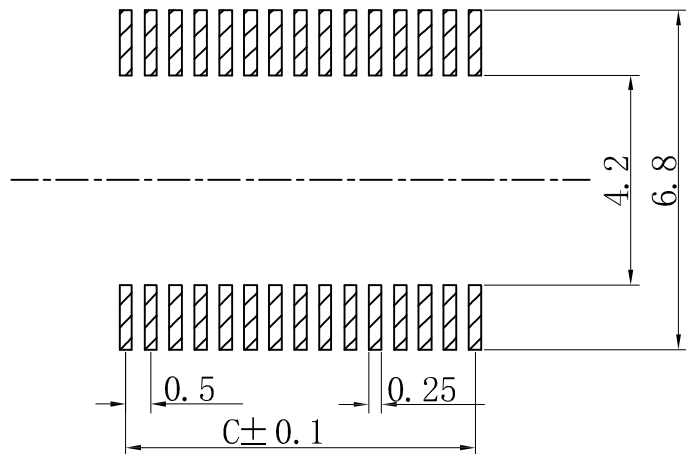
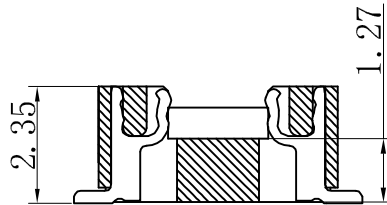
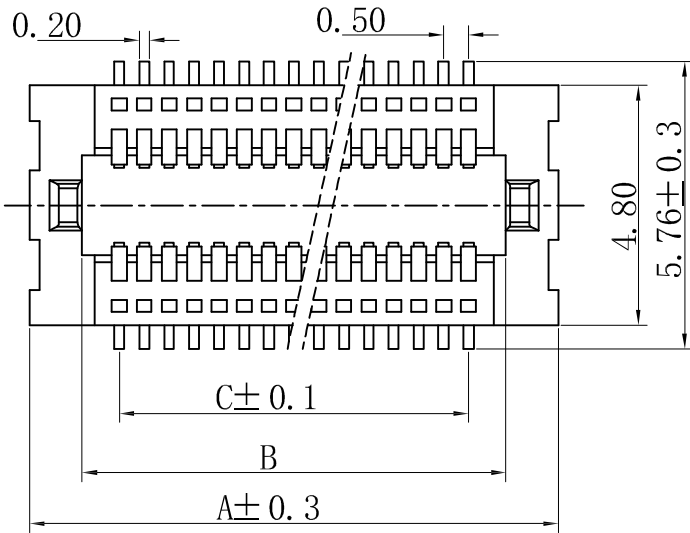
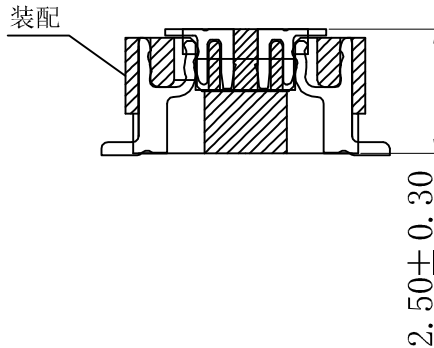


REV.	ECN NO.	LOCAS.	DESCRIPTION	DATE	DESIGN
A0			RELEASE TO CUSTOMER		HANG
B					HANG



PCB LAYOUT



PIN	A	B	C	PIN	A	B	C
004	5.10	3.00	1.50	033	19.60	17.50	16.00
005	5.60	3.50	2.00	034	20.10	18.00	16.50
006	6.10	4.00	2.50	035	20.60	18.50	17.00
007	6.60	4.50	3.00	036	21.10	19.00	17.50
008	7.10	5.00	3.50	037	21.60	19.50	18.00
009	7.60	5.50	4.00	038	22.1	20.00	18.50
010	8.10	6.00	4.50	039	22.60	20.50	19.00
011	8.60	6.50	5.00	040	23.10	21.00	19.50
012	9.10	7.00	5.50	041	23.60	21.50	20.00
013	9.60	7.50	6.00	042	24.10	22.00	20.50
014	10.10	8.00	6.50	043	24.60	22.50	21.00
015	10.60	8.50	7.00	044	25.10	23.00	21.50
016	11.10	9.00	7.50	045	25.60	23.50	22.00
017	11.60	9.50	8.00	046	26.10	24.00	22.50
018	12.10	10.00	8.50	047	26.60	24.50	23.00
019	12.60	10.50	9.00	048	27.10	25.00	23.50
020	13.10	11.00	9.50	049	27.60	25.50	24.00
021	13.60	11.50	10.00	050	28.10	26.00	24.50
022	14.10	12.00	10.50	051	28.60	26.50	25.00
023	14.60	12.50	11.00	052	29.10	27.00	25.50
024	15.10	13.00	11.50	053	29.60	27.50	26.00
025	15.60	13.50	12.00	054	30.10	28.00	26.50
026	16.10	14.00	12.50	055	30.60	28.50	27.00
027	16.60	14.50	13.00				
028	17.10	15.00	13.50				
029	17.60	15.50	14.00				
030	18.10	16.00	14.50				
031	18.60	16.50	15.00				
032	19.10	17.00	15.50				

LASTAR

Lastar Technology CO., LTD

DRAW NO.		DATE	DRAW NAME:		
DESIGN	HANG	080805	0.5mm Pitch Board To Board Socket 合高2.5H		
CHECK	WANGCM	080806	P/N NO.	BTB-052-251-XX01-13	FILE:
APPROVED	HUYX	080806	UNIT:	SHEET:	MODEL:
			mm	N/A	REV. B
					SCALE N/A

DIM	TOL	DIM	TOL
X.	±0.30	X'.	±4.0'
X.X	±0.25	X.X'	±3.0'
X.XX	±0.20	X.XX'	±2.0'
X.XXX	±0.10	X.XXX'	±1.0'

THIS DRAWING CONTAINS INFORMATION THAT IS PROVIDED BY LASTAR TECHNOLOGY AND SHOULD NOT BE USED WITHOUT WRITTEN PERMISSION