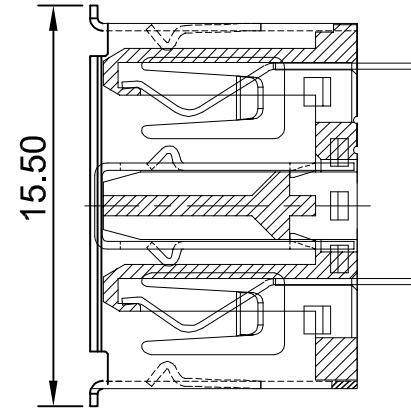
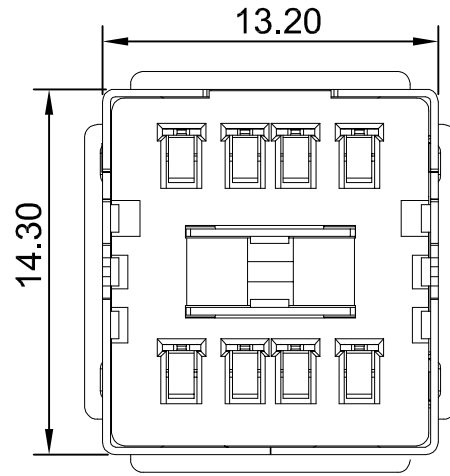
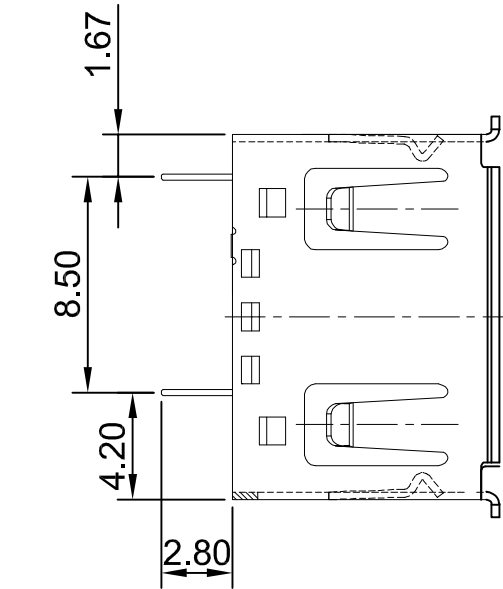


**\*所有原料材质，生产制程，电镀必须符合RoHS要求\***

REV.	ECN NO.	LOCAS.	DESCRIPTION	DATE	DESIGN
AO			RELEASE TO CUSTOMER	150116	RYAN



**SPECIFICATIONS**

**ELECTRICAL:**

1. CURRENT RATING: 1.5A/CONTACT TERMINAL
2. VOLTAGE RATING: 30V DC
3. CONTACT RESISTANCE: 30MΩ MAX
4. DIELECTRIC WITHSTANDING VOLTAGE: 500V AC
5. INSULATION RESISTANCE: 1000MΩ MIN

**MECHANICAL:**

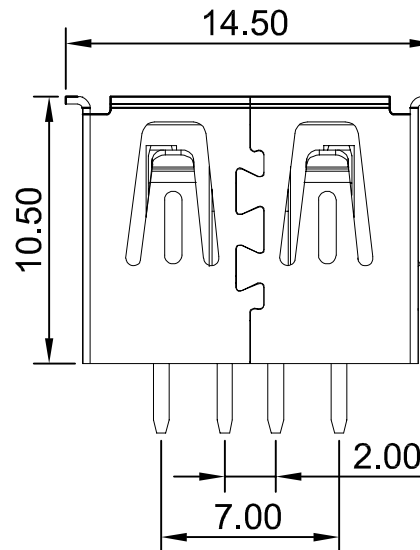
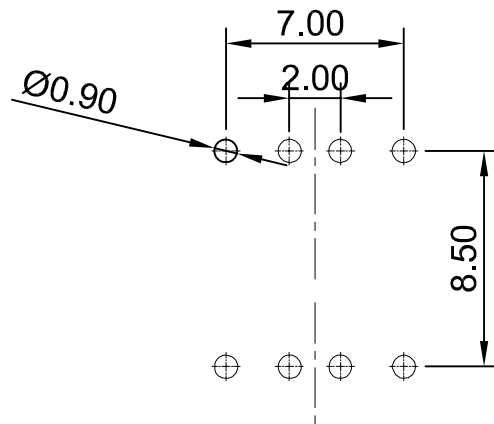
1. INSERTION FORCE: 3.57Kgf MAX
2. EXTRACTION FORCE: 1.02Kgf MIN

**material:**

1. HOUSING: PBT WHITE/BLACK
2. SHELL: SPCC NICKEL PLATING
3. CONTACT: COPPER ALLOY C2680

**FINISH**

1. CONTACT: PIATED GOLD IN MATING AREA  
TIN ON SOLDER TALLS



Recommended P.C.B Layout  
General Tolerance ±0.05

DIM	TOL	DIM	TOL
X.	±0.30	X'	±4.0°
X.X	±0.25	X.X'	±3.0°
X.XX	±0.20	X.XX'	±2.0°
X.XXX	±0.10	X.XXX'	±1.0°

THIS DRAWING CONTAINS INFORMATION THAT IS PROVIDED BY LASTAR TECHNOLOGY AND SHOULD NOT BE USED WITHOUT WRITTEN PERMISSION

<b>LASTAR</b>		Lastar Technology CO., LTD	
		TEL:0755-27157971 FAX:0755-27157976 Http://www.lsdconn.com	
DRAW NO.	142-A8D-08X7	DATE	
DESIGN	RYAN	150116	
CHECK	WANGCM	150116	
APPROVED	HUYX	150116	
DRAW NAME: USB A母 DIP180°双层 10.5 卷边		P/N NO. USB-142-A8D-08X7	
UNIT: mm		SHEET: N/A	HS CODE
REV. AO		MODEL	X7
SCALE		N/A	