

所有原材料， 生产制程， 电镀必须符合RoHS要求

REV./ECN NO.	LOCAS.	DESCRIPTION	DATE	DESIGN
A0		RELEASE TO CUSTOMER	150116	RYAN

备注:

1. 材质:

外壳: SPCC/C2680-H

端子: C2680-EH;

塑胶: PBT环保

2. 电镀规格:

外壳: 全部区域镀亮镍 $80\mu\text{''}\sim 120\mu\text{''}$ Min. 电镀

符合"RoHS"标准;

端子: 先镀 $80\sim 100\mu\text{''}$ 镍打底, 再在接触区域镀

金 $1\mu\text{''}$, 在焊接区域镀雾锡 $120\mu\text{''}$ Min.

3. 外观:

不可有脏污、模痕、压伤、错位等不良现象;

4. 盐雾试验要求:

试验测试24H, 腐蚀等级达到9.8级以上;

5. 胶芯破坏测试要大于 2.0KgF ;

PBT胶芯过高温 $200^{\circ}\sim 220^{\circ}$

6. 端子保持力每PIN要 $>8\text{N}$;

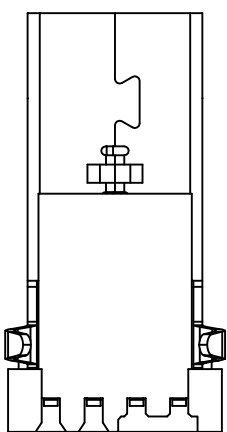
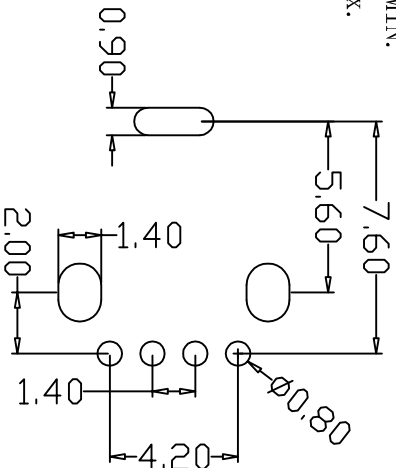
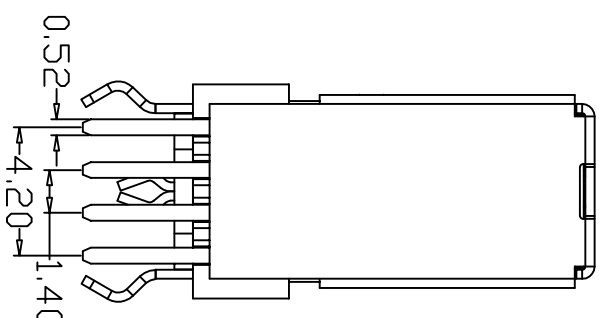
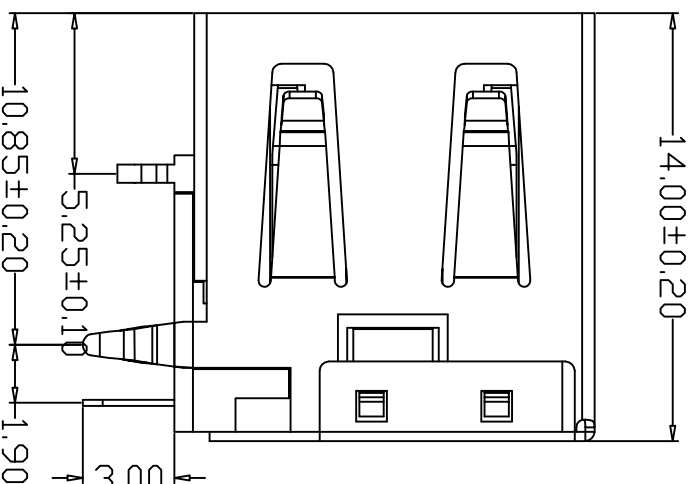
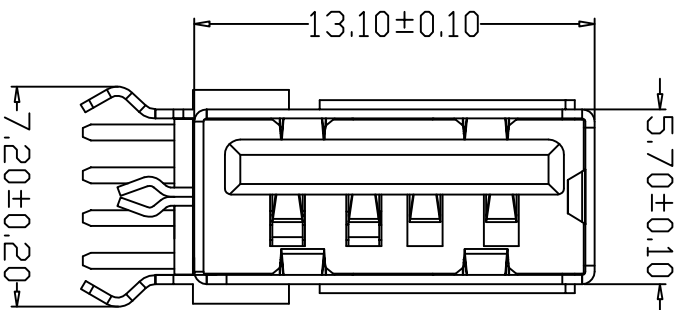
在没有焊PCB板时外壳与胶芯的止退力要 $>2\text{KgF}$;

7. 电气性能:

A. 耐压: AC500V/1MIN.

B. 绝缘阻抗: $1000\text{M}\Omega/\text{MIN}$.

C. 接触阻抗: $30\text{m}\Omega/\text{Max}$.



Recommended P.C.B Layout
General Tolerance ± 0.05

DIM	TOL	DIM	TOL
X.	± 0.30	X.	$\pm 4.0^{\circ}$
X.X	± 0.25	X.X.	$\pm 3.0^{\circ}$
X.XX	± 0.20	X.XX.	$\pm 2.0^{\circ}$
X.XXX	± 0.10	X.XXX.	$\pm 1.0^{\circ}$

LASTAR		Lastar Technology CO., LTD	
TEL:0755-27157971		FAX:0755-27157976	
http://www.lsdconn.com			
DRAW NO.	112-D8C-04X7	DATE	150116
DESIGN	RYAN		
CHECK	WANGCM		
APPROVED	HUYX		
DRAW NAME:	USB AP 14.0 侧插 弯脚 平口0型		
P/N NO.	USB-112-D8C-04X7	SHORT CODE	
UNIT:	mm	SHEET:	N/A
MODEL		REV.	A0
SCALE	N/A		

THIS DRAWING CONTAINS INFORMATION THAT IS PROVIDED BY LASTAR TECHNOLOGY AND SHOULD NOT BE USED WITHOUT WRITTEN PERMISSION