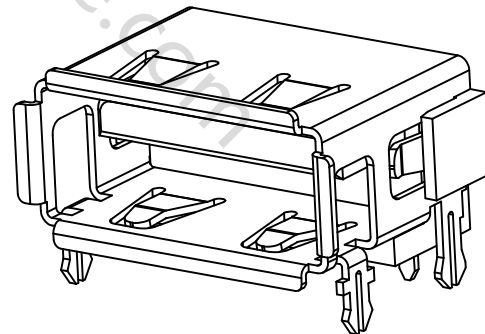
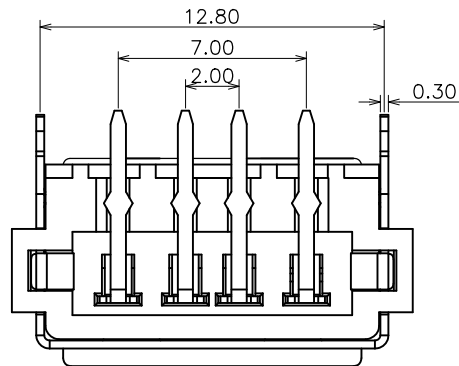
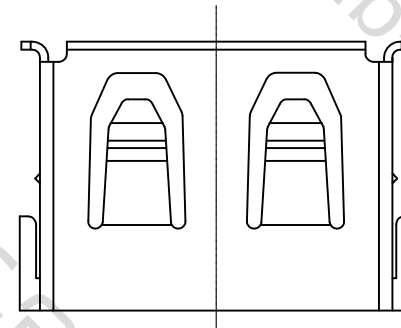
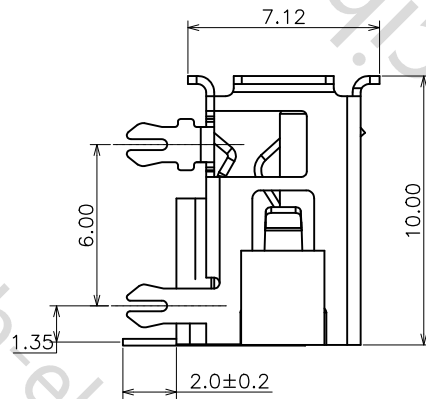
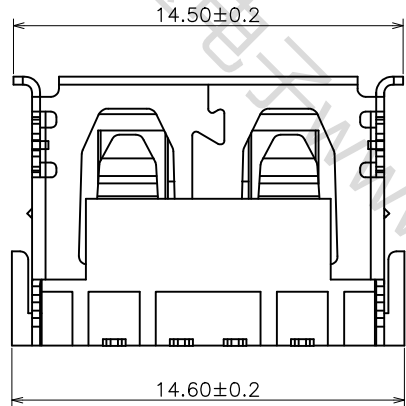
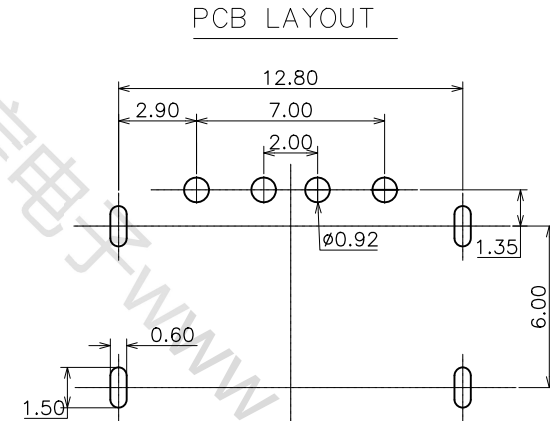
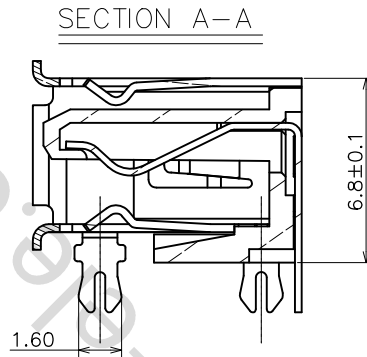
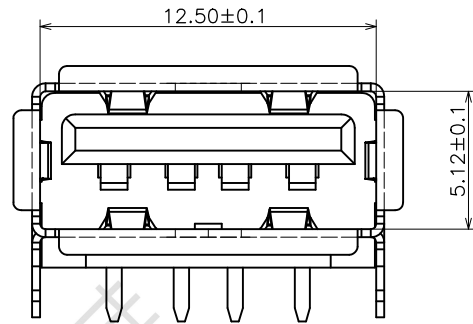



All raw material,production process,electroplating must meet the requirements of EU RoHS.

REV.	ECN NO.	LOCAS.	DESCRIPTION	DATE	DESIGN
A0			RELEASE TO CUSTOMER		HANG
B					HANG



DIM	TOL	DIM	TOL
X.	±0.30	X'	±4.0'
X.X	±0.25	X.X'	±3.0'
X.XX	±0.20	X.XX'	±2.0'
X.XXX	±0.10	X.XXX'	±1.0'

THIS DRAWING CONTAINS INFORMATION THAT IS PROVIDED BY DONGGUAN CIB ELECTRONIC CO.,LTD AND SHOULD NOT BE USED WITHOUT WRITTEN PERMISSION



DongGuan CIB Electronic Co., Ltd

DRAW NO.		DATE	DRAW NAME:		
DESIGN	HANG	20200218	USB Female DIP90° Short Type		
CHECK	ZHAOZZ	20200218	P/N NO.	CIB CODE:20101032	
APPROVED	RYAN	20200218	UNIT: mm	SHEET: N/A	MODEL: REV. B SCALE N/A