

REV.	ECN NO.	LOCAS.	DESCRIPTION	DATE	DESIGN
A			RELEASE TO CUSTOMER	130205	HANG

Specifications:

Electrical:

Current Rating: 1.5A/contact terminal  
Voltage Rating: 30V DC  
Contact Resistance: 30 milliohms MAX  
Dielectric Withstanding Voltage:  
500 V AC AT Sea Level

Insulation Resistance: 1000MEGA ohms MIN

Mechanical:

Connector Mate and Unmate Force:

Mate force: 3.75kgf (MAX)

Unmate force: 1.02kgf (MIN)

Terminal Retention: 1.2kgf (MIN)

Material:

Housing: Hing Temperature Thermoplastics,

U1 94V-0 PBT/LCP White/Black

Contact: Copper Alloy C2680

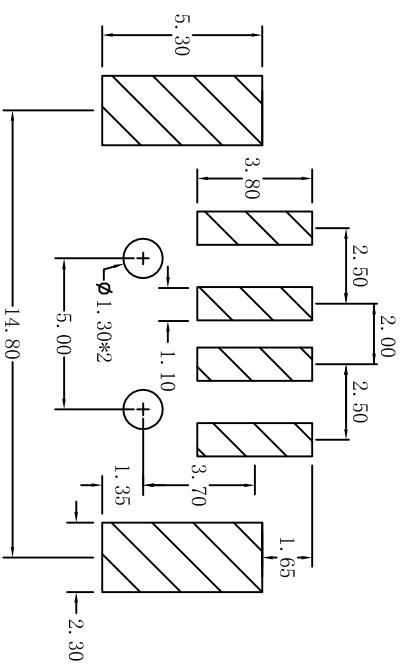
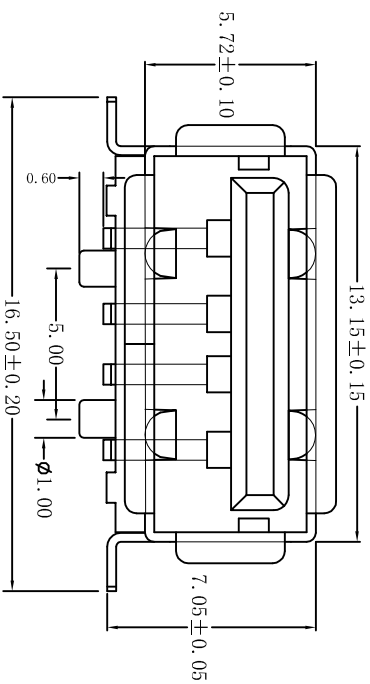
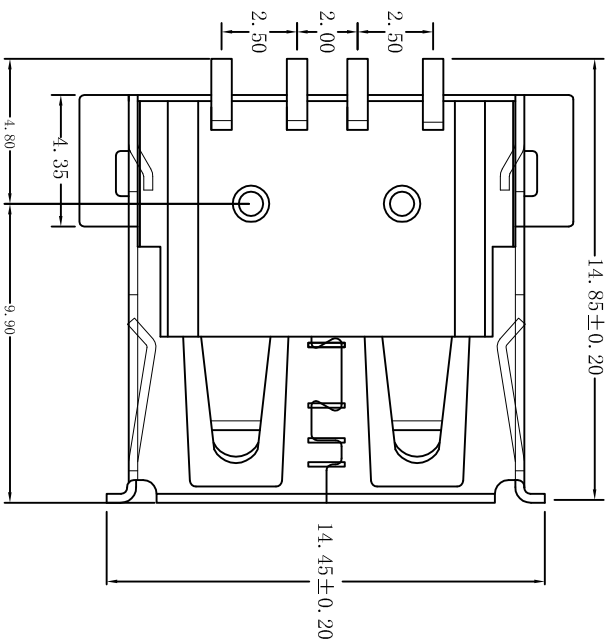
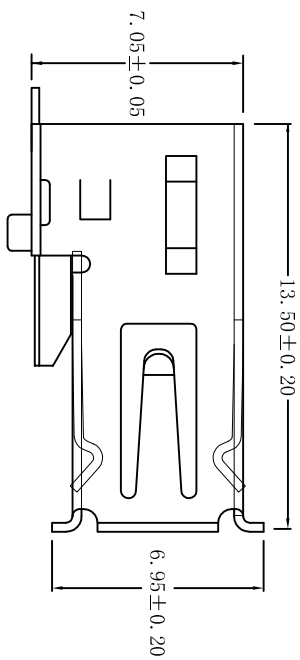
Shell: Copper Alloy C2680/SPCC

Finish:

Contact: Plated Gold in Mating Area;

Tin On Solder Falls

Shell: Nickel Plating



DIM	TOL	DIM	TOL
X.	±0.30	X.	±4.0°
X.X	±0.25	X.X	±3.0°
X.XX	±0.20	X.XX	±2.0°
X.XXX	±0.10	X.XXX	±1.0°

<h1 style="text-align: center;">LASTAR</h1> <h2 style="text-align: center;">Lastar Technology CO., LTD</h2>		DRAW NO.: 112-860-04R3	DATE: 130205	DRAW NAME: USB AF SMT 有卷边	P/N NO.: USB-112-860-04R3	FILE:
		DESIGN: HANG	CHECK: HANG	APPROVED: HUYX	UNIT: mm	SHEET: N/A
		130205	130205	130205	REV. A	SCALE N/A

THIS DRAWING CONTAINS INFORMATION THAT IS PROVIDED BY LASTAR TECHNOLOGY AND SHOULD NOT BE USED WITHOUT WRITTEN PERMISSION