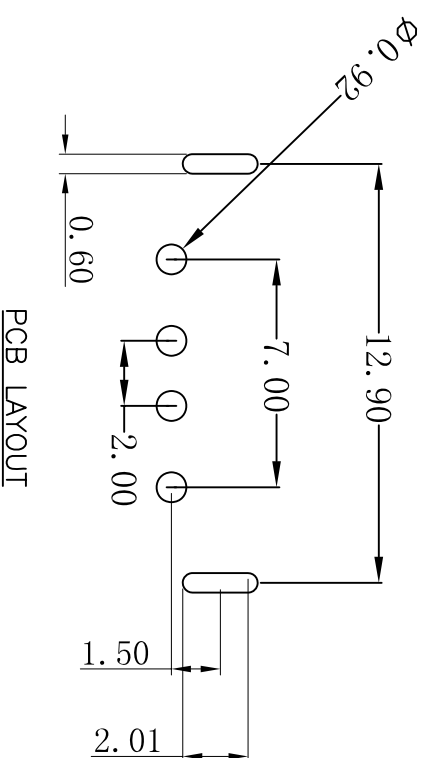
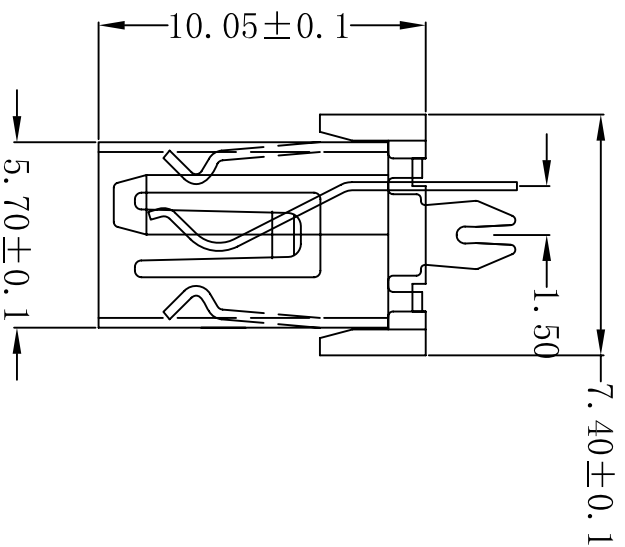
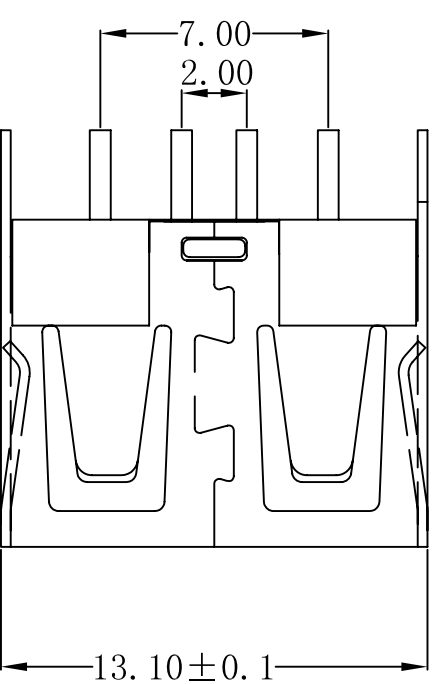
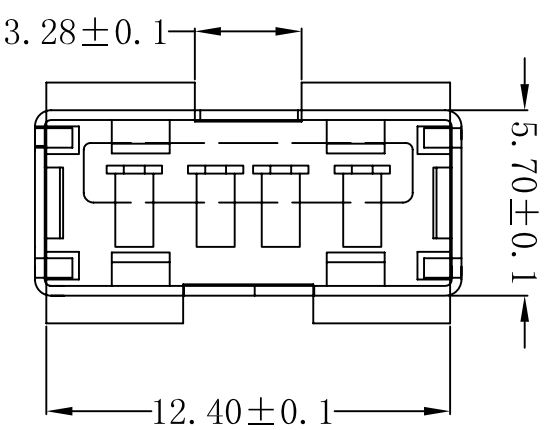


| REV. | ECN NO. | LOCAS. | DESCRIPTION | DATE | DESIGN |
|------|---------|--------|---------------------|--------|--------|
| A0 | | | RELEASE TO CUSTOMER | 080505 | HANG |



规格说明: Specifications:

电气特性: Electrical:

1. 额定电流: Current Rating
1.5A/contact terminal
2. 额定电压: Voltage Rating
30V DC
3. 接触阻抗: Contact Resistance
30 milliohms MAX
4. 耐电压: Dielectric Withstanding Voltage:
500 V AC AT Sea Level
5. 绝缘阻抗: Insulation Resistance:
1000MEGA ohms MIN

物理性能: Mechanical:

1. 插拔力: Connector Mate and Unmate Force
Mate force: 3.57kgf (MAX)
Unmate force: 1.02kgf (MIN)
2. 端子保持力: Terminal Retention
1.2kgf (MIN)

原材料: Material:

1. 塑胶: Housing:
Hing Temperature Thermoplastics,
U1 94V-0 PBT White/Black
2. 端子: Contact: Copper Alloy C2680
3. 外壳: Shell: Copper Alloy C2680/SPCC

电镀: Finish:

1. 端子: Contact: Plated Gold in Mating Area;
Tin On Solder Tails
2. 外壳: Shell:
Nickel Plating

LASTAR

深圳市朗思达科技有限公司

TEL: 0755-27157971 FAX: 0755-27157976 Http://www.lsdconn.com

| | | | | | |
|----------|--------------|--------|--------|------------|-------------------------|
| DRAW NO. | 112-F0D-04R3 | DATE | 080505 | DRAW NAME: | USB AF 10.0mm 直插无卷边 鱼叉脚 |
| DESIGN | HANG | 080505 | | P/N NO. | USB-112-F0D-04R3 |
| CHECK | WANGCM | 080506 | | UNIT: | mm |
| APPROVED | HUYX | 080506 | | SHEET: | N/A |
| | | | | MODEL: | |
| | | | | REV. | A0 |
| | | | | SCALE | N/A |

| DIM | TOL | DIM | TOL |
|-------|-------|-------|-------|
| X. | ±0.30 | X. | ±4.0° |
| X.X | ±0.25 | X.X | ±3.0° |
| X.XX | ±0.20 | X.XX | ±2.0° |
| X.XXX | ±0.10 | X.XXX | ±1.0° |

THIS DRAWING CONTAINS INFORMATION THAT IS PROTECTED BY PATENT RIGHTS. PERMISSION TO REPRODUCE THIS DRAWING AND SPECIFICATIONS IS GRANTED WITHOUT WRITTEN PERMISSION.