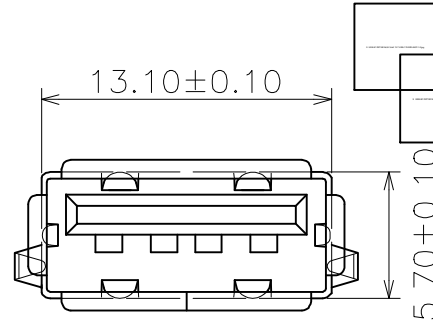
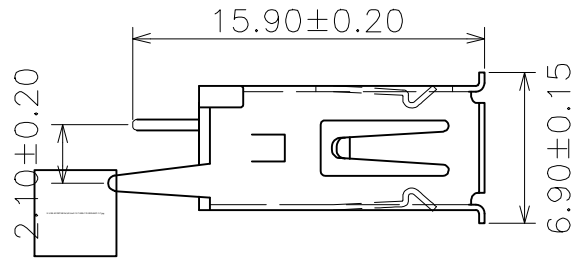


All raw material,production process,electroplating must meet the requirements of EU RoHS.

REV.	ECN NO.	LOCAS.	DESCRIPTION	DATE	DESIGN
A0			RELEASE TO CUSTOMER		HANG
B					HANG



MATERIAL

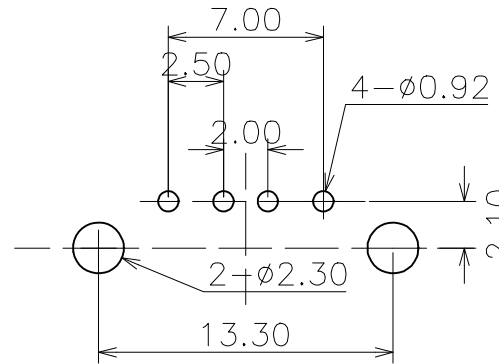
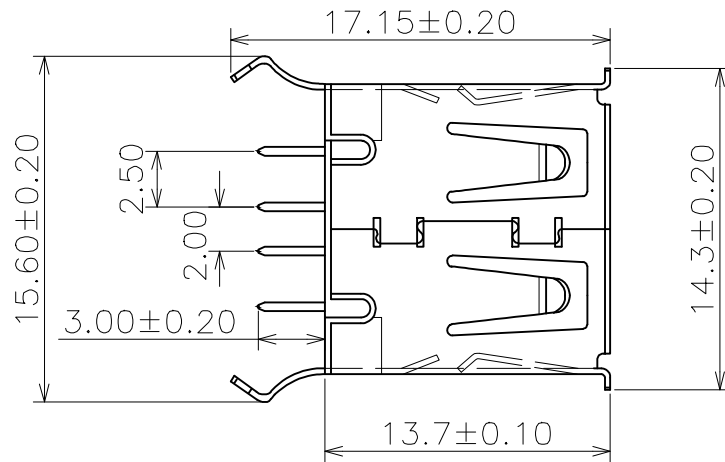
- 1.Housing:High temperature plastics, UL94V-0
- 2.Contact:Copper Alloy, Plated Gold In Mating Area, Tin On Solder Tails
- 3.Shell:SPCC,Nickel Plated

ELETRICAL

- 1.Contact Resistance:30milliohms max
- 2.Dielectric Withstanding Voltage: 500V AC AT Sea Level
- 3.Insulation Resistance:1000MEGA ohms min
- 4.Operating Temperature:-55°C~+85°C

MECHANICAL

- 1.Mating Force :4.0KG MAX
- 2.Unmating Force:0.7KG MIN



PCB Layout

深圳朗思达科技有限公司

DRAW NO.	DATE	DRAW NAME:	
DESIGN	HANG	USB AF DIP180 弯脚 卷边 13.7	
CHECK	ZHAOZZ	P/N NO.	USB-112-20D-0407
APPROVED	RYAN	CIB CODE:	
		UNIT:	SHEET:
		mm	N/A
		MODEL:	
		REV. B	SCALE N/A

DIM	TOL	DIM	TOL
X.	±0.30	X'	±4.0'
X.X	±0.25	X.X'	±3.0'
X.XX	±0.20	X.XX'	±2.0'
X.XXX	±0.10	X.XXX'	±1.0'

THIS DRAWING CONTAINS INFORMATION THAT IS PROVIDED BY DONGSHAN OR ELECTRONIC EQUIPMENT AND SHOULD NOT BE USED WITHOUT WRITTEN PERMISSION