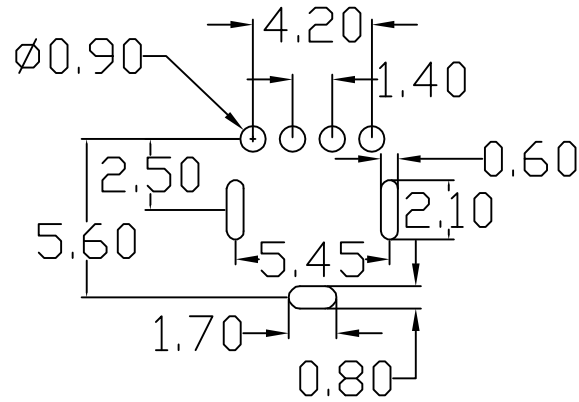
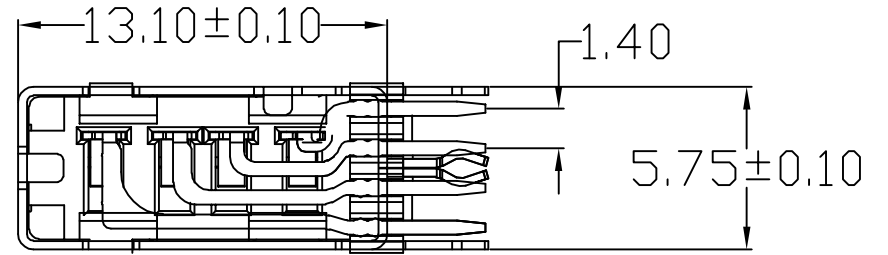


**\*所有原料材质，生产制程，电镀必须符合RoHS要求\***

REV.	ECN NO.	LOCAS.	DESCRIPTION	DATE	DESIGN
AO			RELEASE TO CUSTOMER	150116	RYAN



Recommended P.C.B Layout  
General Tolerance ±0.05



备注:

1. 材质:

外壳: SPCC/C2680-H

端子: C2680-EH;

塑胶: PBT环保

2. 电镀规格:

外壳: 全部区域镀亮镍80 μ ~ 120 μ Min. 电镀符合"RoHS"标准;

端子: 先镀80~100u"镍打底, 再在接触区域镀金1u", 在焊接区域镀雾锡120u"Min.

3. 外观:

不可有脏污、模痕、压伤、错位等不良现象;

4. 盐雾试验要求:

试验测试24H, 腐蚀等级达到9.8级以上;

5. 胶芯破坏测试要大于2.0Kgf;

PBT胶芯过高温200° ~ 220°

6. 端子保持力每PIN要>8N:

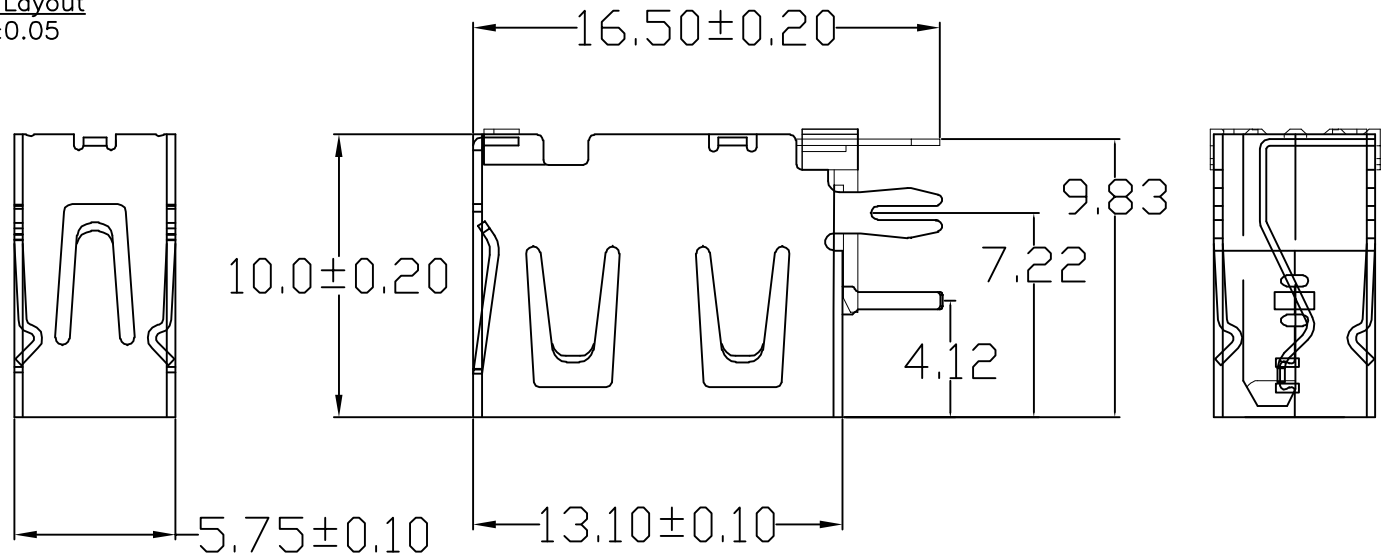
在没有焊PCB板时外壳与胶芯的止退力要>2Kgf;

7. 电气性能:

A. 耐压: AC500V/1MIN.

B. 绝缘阻抗: 1000MΩ/MIN.

C. 接触阻抗: 30mΩ/Max.



**LASTAR**

Lastar Technology CO., LTD

TEL:0755-27157971 FAX:0755-27157976 Http://www.lsdconn.com

DRAW NO.	112-D7C-04X7	DATE	DRAW NAME: USB AF 短体10.0 侧插 直脚平口0型		
DESIGN	RYAN	150116	P/N NO. USB-112-D7C-04X7		SHORT CODE
CHECK	WANGCM	150116	UNIT: mm		MODEL X7
APPROVED	HUYX	150116	SHEET: N/A	REV. AO	SCALE N/A

DIM	TOL	DIM	TOL
X.	±0.30	X'	±4.0°
X.X	±0.25	X.X'	±3.0°
X.XX	±0.20	X.XX'	±2.0°
X.XXX	±0.10	X.XXX'	±1.0°

THIS DRAWING CONTAINS INFORMATION THAT IS PROVIDED BY LASTAR TECHNOLOGY AND SHOULD NOT BE USED WITHOUT WRITTEN PERMISSION