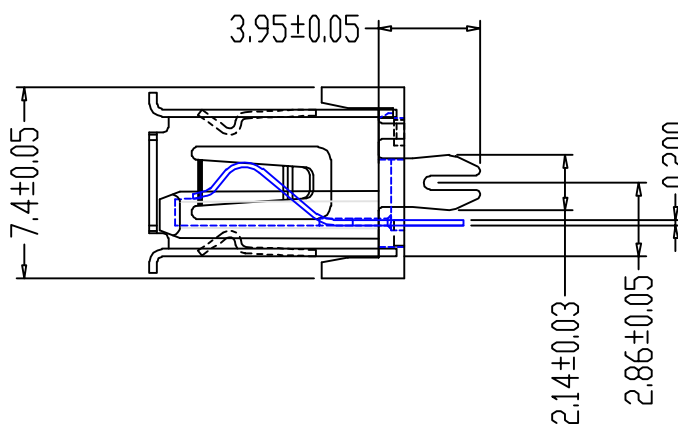
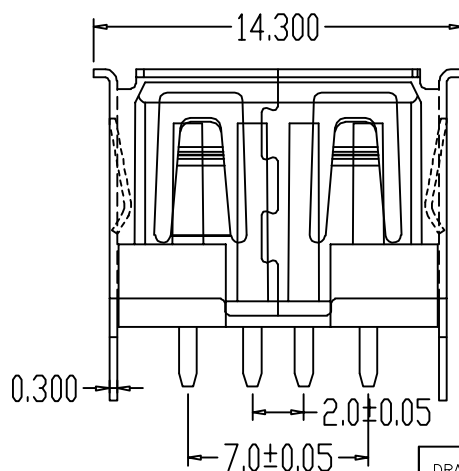
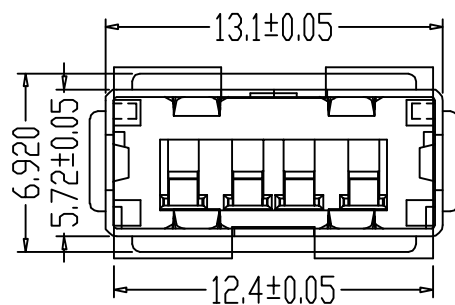
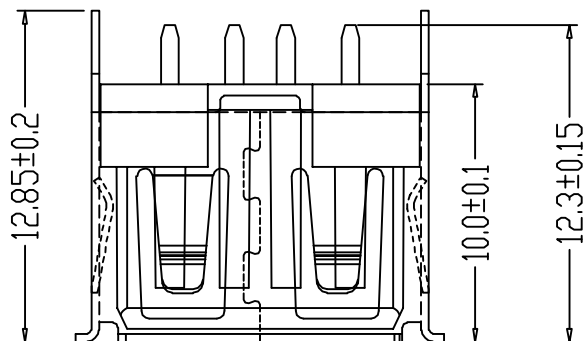


所有原料材质，生产制程，电镀必须符合RoHS要求

REV.	ECN NO.	LOCAS.	DESCRIPTION	DATE	DESIGN
A			RELEASE TO CUSTOMER	150116	YINC



NOTES:

1. MATERIAL SPECIFICATION

- 1) INSULATION MATERIAL THERMOPLASTIC.
- 2) SHELL: COPPER ALLOY/SPCC, T: 0.30mm
PLATING: NICKEL
- 3) TERMINAL: COPPER ALLOY, T: 0.25mm
PLATING: GOLD/TIN PLATED.

2. ELECTRICAL CHARACTERISTIC:

- 1) INSULATION RESISTANCE: 1000M Ω MIN.
- 2) CONTACT RESISTANCE: 30m Ω MAX.
- 3) WITHSTANDING VOLTAGE: 500V AC.

3. MECHANICAL CHARACTERISTICS:

- 1) INSERTION FORCE: 3.57Kgf MAX.
- 2) EXTRACTION FORCE: 1.02Kgf MIN.

DIM	TOL	DIM	TOL
X.	±0.30	X'	±4.0'
X.X	±0.25	X.X'	±3.0'
X.XX	±0.20	X.XX'	±2.0'
X.XXX	±0.10	X.XXX'	±1.0'

THIS DRAWING CONTAINS INFORMATION THAT IS PROVIDED BY LASTAR TECHNOLOGY AND SHOULD NOT BE USED WITHOUT WRITTEN PERMISSION

DRAW NO.	112-E8G-04X7	DATE	
DESIGN	YINC	150116	
CHECK	ZHAOZZ	150116	
APPROVED	HUXW	150116	



- 深圳朗思达 香港朗思达
- 东莞共营 前海共赢

connector & cable

DRAW NAME:		USB AF 10.0 DIP180度 鱼叉脚 卷口	
P/N NO.	USB-112-E8G-04X7	SHORT CODE	20100182
UNIT:	mm	MODEL	X7
SHEET:	N/A	REV.	A
		SCALE	N/A