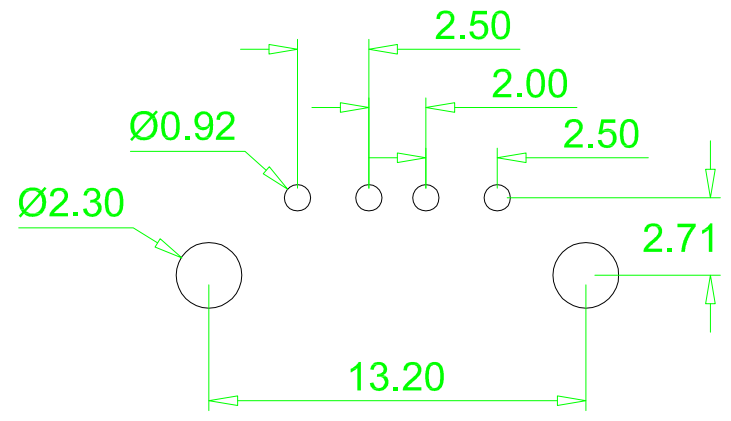
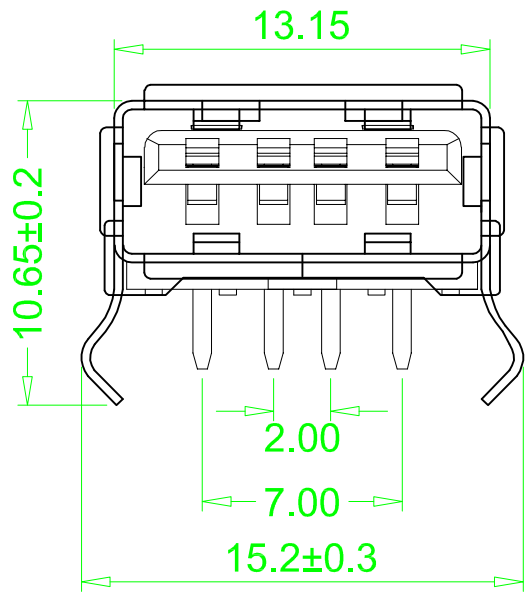
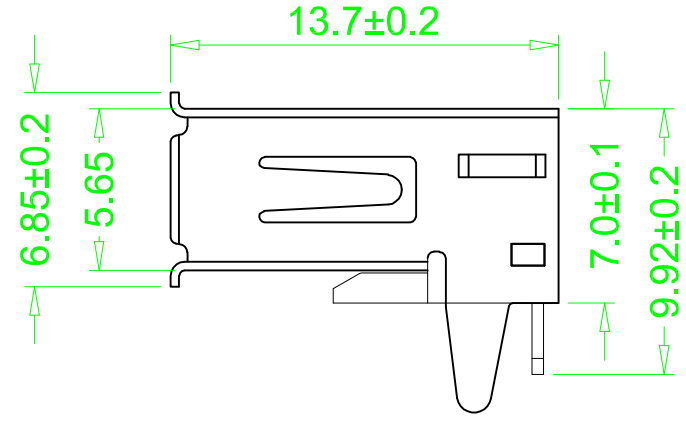
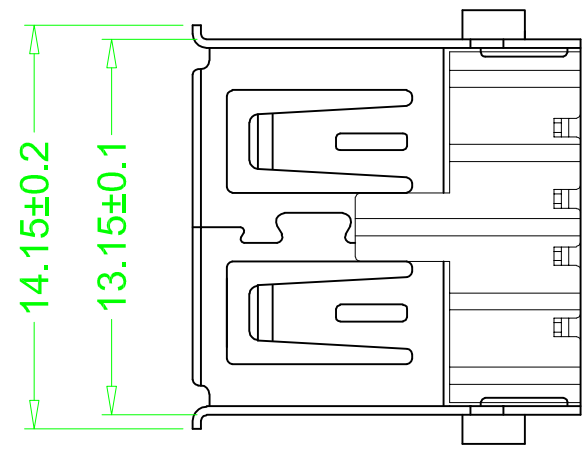


REV.	ECN NO.	LOCAS.	DESCRIPTION	DATE	DESIGN
A0			RELEASE TO CUSTOMER	130205	HANG



P.C.B Layout



**MATERIAL**

- 1、 Housing:PBT or LCP,white or black
- 2、 Contact:Copper Alloy,C2680,Plated gold in mating area,Tin on Solder tails
- 4、 Shell:Copper Alloy / SPCC,Plated with Nickel

**ELETRICAL**

- 1、 Current Rating:1.0A AC/DC
- 2、 Contact resistance:30m ohms max
- 3、 Dielectric Withstanding Voltage: 500VAC At Sea Level
- 4、 Insulation resistance:100M ohms min.

**LASTAR**

Lastar Technology CO.,LTD

DRAW NO.		DATE	DRAW NAME:	
DESIGN	HANG	130205	USB AF DIP90° 弯脚 有卷边 无盖	
CHECK	HANG	130205	P/N NO.	FILE:
APPROVED	HUYX	130205	20100172	MODEL:
		UNIT: mm	SHEET: N/A	REV. A0
				SCALE N/A

DIM	TOL	DIM	TOL
X.	±0.30	X'	±4.0'
X.X	±0.25	X.X'	±3.0'
X.XX	±0.20	X.XX'	±2.0'
X.XXX	±0.10	X.XXX'	±1.0'

THIS DRAWING CONTAINS INFORMATION THAT IS PROVIDED BY LASTAR TECHNOLOGY AND SHOULD NOT BE USED WITHOUT WRITTEN PERMISSION