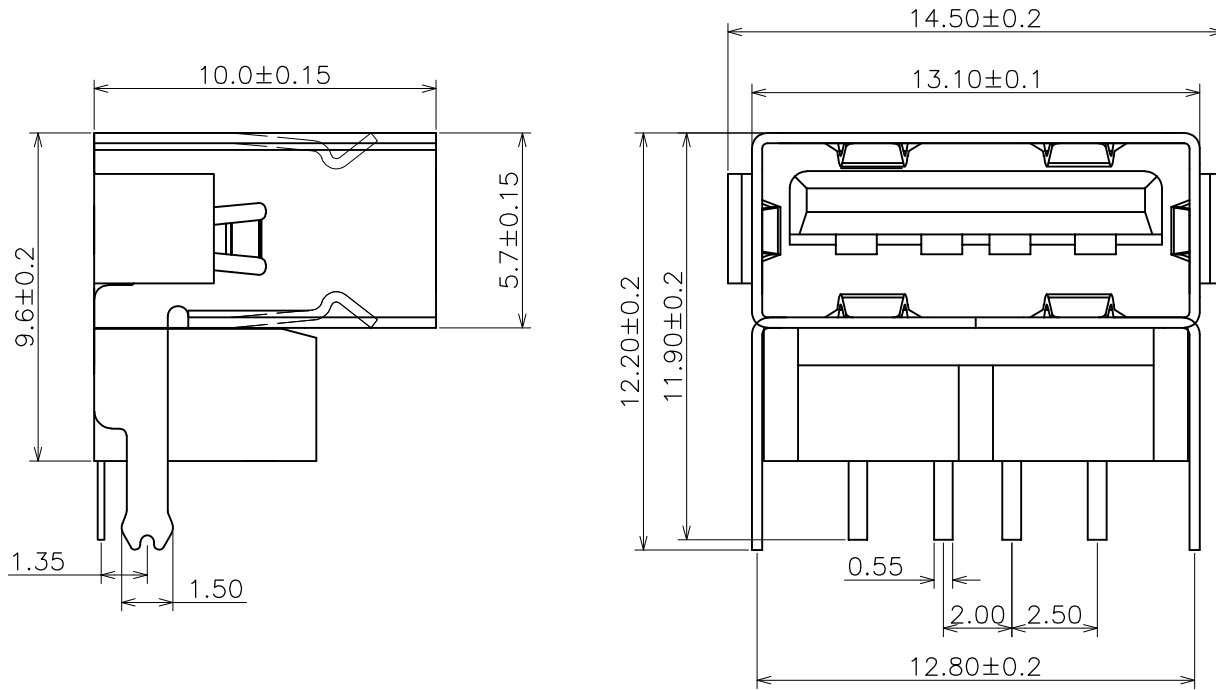


All raw material,production process,electroplating must meet the requirements of EU RoHS.

REV.	ECN NO.	LOCAS.	DESCRIPTION	DATE	DESIGN
A0			RELEASE TO CUSTOMER		HANG
B					HANG

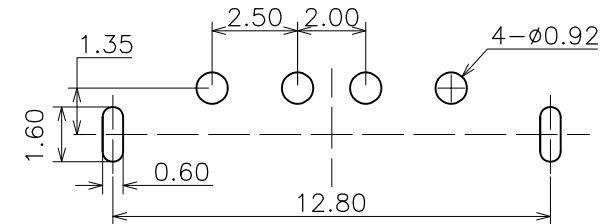


Electrical

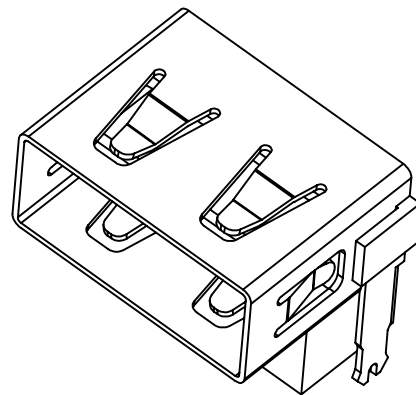
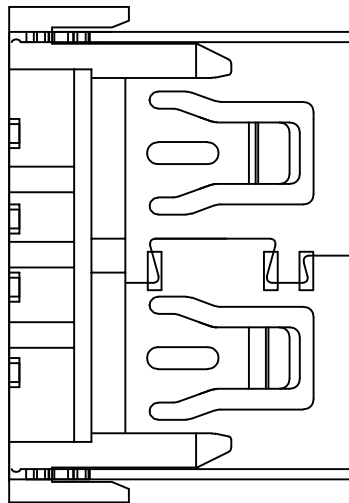
- 1.Contact Resistance:30mΩ Max
- 2.Insulation Resistance:1000MΩ Min
- 3.Dielectric Withstanding Voltage: 500VAC
- 4.Rating Voltage:30V DC
- 5.Operating Current: 1.5A
(determined based on differences in plating)

Mechanical

- 1.Insertion Force: 3.75kgf Max
- 2.Extraction Force:1.02kgf Min
- 3.Operating Temperature:-55°C~+105°C



PCB Layout



DIM	TOL	DIM	TOL
X.	± 0.30	X'.	$\pm 4.0^{\circ}$
X.X	± 0.25	X.X'	$\pm 3.0^{\circ}$
X.XX	± 0.20	X.XX'	$\pm 2.0^{\circ}$
X.XXX	± 0.10	X.XXX'	$\pm 1.0^{\circ}$

THIS DRAWING CONTAINS INFORMATION THAT IS PROVIDED BY LSTAR Technology AND SHOULD NOT BE USED WITHOUT WRITTEN PERMISSION



Lastar Technology CO., LTD

DRAW NO.		DATE	DRAW NAME:	
DESIGN	HANG	20200218	USB AF10.0mm DIP90 垫高型9.8 平口	
CHECK	ZHAOZZ	20200218	P/N NO.	CIB CODE:
APPROVED	RYAN	20200218	20100382	MODEL:
			UNIT: mm	REV. B
			SHEET: N/A	SCALE N/A