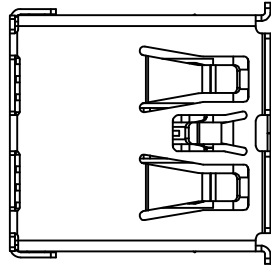
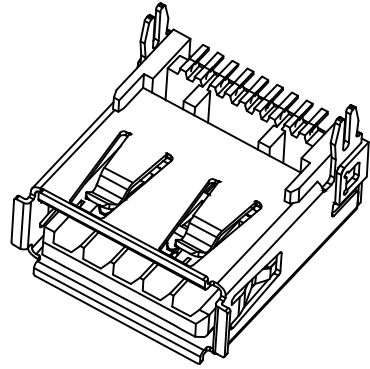
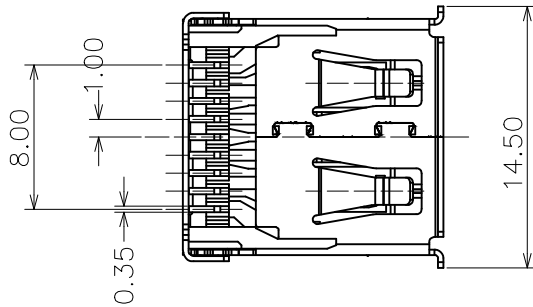
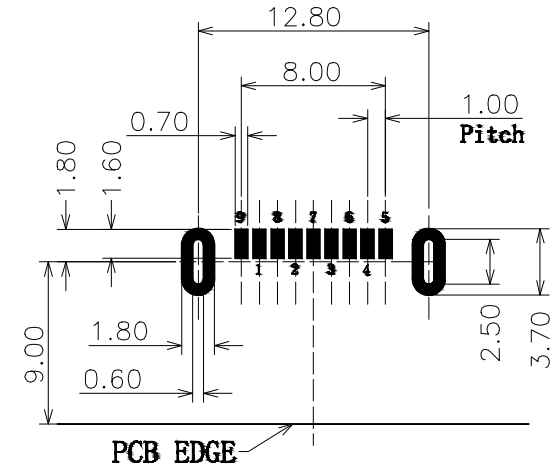
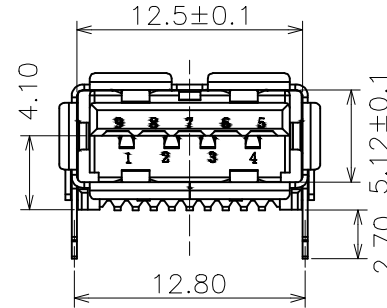
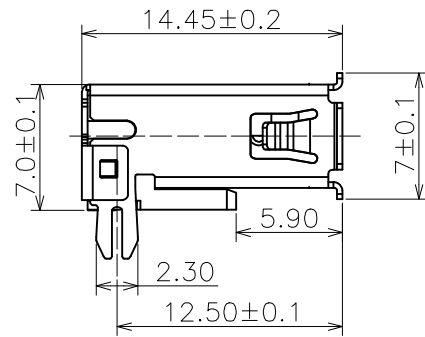
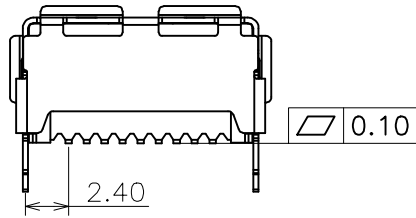


\*All raw material,production process,electroplating must meet the requirements of EU RoHS.\*

REV.	ECN NO.	LOCAS.	DESCRIPTION	DATE	DESIGN
A0			RELEASE TO CUSTOMER		HANG
D					HANG



- MATERIAL:
- CONTACT: BRONZE
  - SHELL: SUS/SPCC/BRASS
  - INSULATOR: HIGH TEMPERATURE PLASTIC
1. CONTACT RESISTANCE: 30mΩ MAXIMUM  
 2. CURRENT RATING: 1.5A  
 3. DIELECTRIC WITHSTANDING VOLTAGE: 100V AC R.M.S.  
 4. INSULATION RESISTANCE 100MEGOHMS MIN  
 5. OPERATING TEMPERATURE: -40°C ~ 85°C  
 6. MATING FORCE: 3.57kgf MAX  
 7. UNMATED FORCE: 0.82kgf MIN AFTER TEST  
 8. DURABILITY MANDATORY: 1500 CYCLES



Pin	Signal Name	
1	VBUS	USB2.0 Contact Pin
2	D-	
3	D+	
4	GND	
5	StdA_SSRX-	USB3.0 Contact Pin
6	StdA_SSRX+	
7	GND_DRAIN	
8	StdA_SSTX-	
9	StdA_SSTX+	

DIM	TOL	DIM	TOL
X.	±0.30	X'	±4.0'
X.X	±0.25	X.X'	±3.0'
X.XX	±0.20	X.XX'	±2.0'
X.XXX	±0.10	X.XXX'	±1.0'

THIS DRAWING CONTAINS INFORMATION THAT IS PROVIDED IN CONFIDENCE OR PROPRIETARY RIGHTS OF THE DRAWER AND SHOULD NOT BE USED WITHOUT WRITTEN PERMISSION

<b>深圳朗思达科技有限公司</b>					
DRAW NO.		DATE	DRAW NAME:		
DESIGN	HANG	20200218	USB 3.0 AF SMT 14.45 鱼叉脚插板 卷边		
CHECK	ZHAOZZ	20200218	P/N NO.	20900074	CIB CODE:
APPROVED	RYAN	20200218	UNIT:	SHEET:	MODEL:
			mm	N/A	REV. D
					SCALE N/A