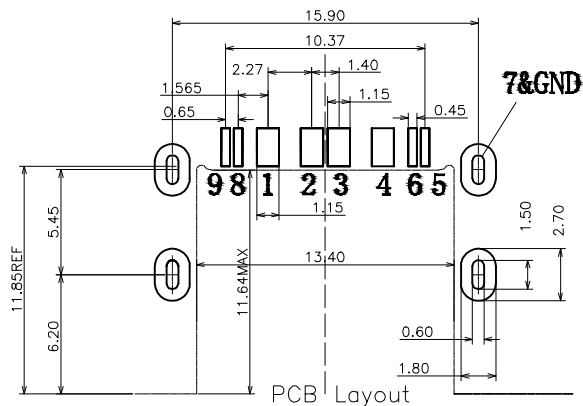
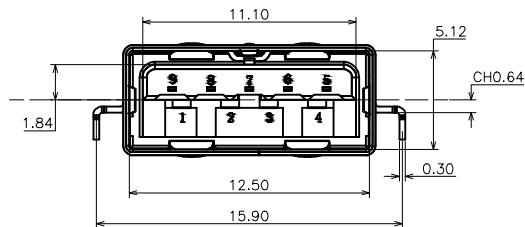
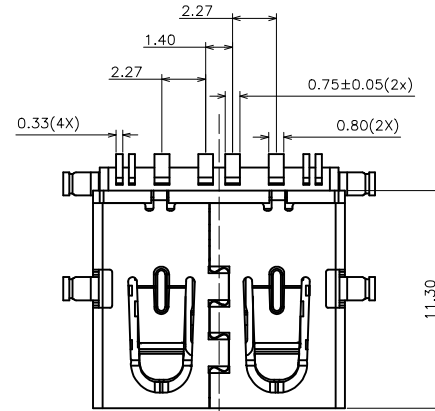
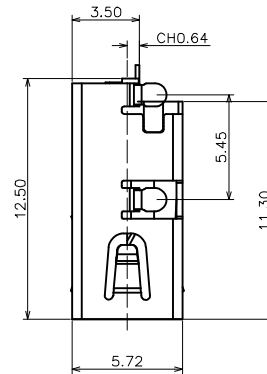
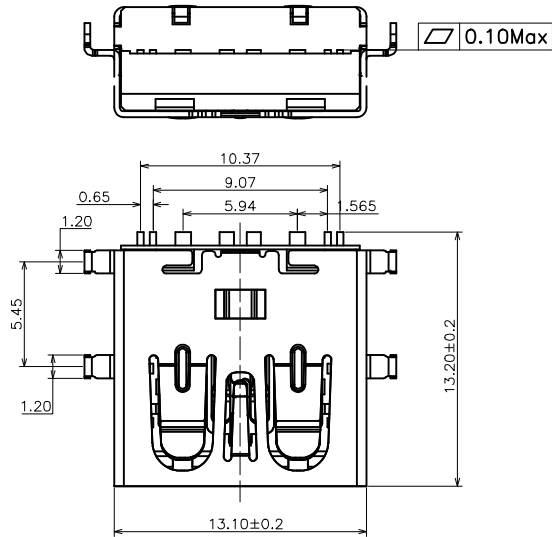


All raw material,production process,electroplating must meet the requirements of EU RoHS.

REV.	ECN NO.	LOCAS.	DESCRIPTION	DATE	DESIGN
A0			RELEASE TO CUSTOMER		HANG
B					HANG



ELECTRICAL CHARACTERISTICS;
 1.CONTACT RESISTANCE:30mΩ MAXIMUM
 2.CONTACT CURRENT RATING:3A
 3.DIELECTRIC WITHSTANDING VOLTAGE:
 500 V R.M.S.
 4.INSULATION RESISTANCE:1000 MEGOHMS MIN
 5.OPERATING TEMPERATURE:-25°C ~ +85°C
 MECHANICAL:
 1.MATING FORCE: 3.57Kg.Max.
 2.UNMATING FORCE: 1.02Kg.Min.

Pin	SIGNAL NAME
1	VBUS
2	D-
3	D+
4	GND
5	StdA_SSRX-
6	StdA_SSRX+
7	GND_DRAIN
8	StdA_SSTX-
9	StdA_SSTX+
Shell	Shield

NO.	PART NAME	MATERIAL	DESCRIPTION
3	SHELL	SUS201	50u" Min. NICKEL PLATED OVERALL
2	CONTACT	C5191R/H	GOLD PLATED ON CONTACT AREA
1	HSG	LCP+30%GF	UL94V-0 BLACK

深圳朗思达科技有限公司

DRAW NO.	DATE	DRAW NAME:	
DESIGN	HANG	USB3.0 AF SMT 沉板3.5 四脚插 CH0.64	
CHECK	ZHAOZZ	P/N NO. 20900073	CIB CODE:
APPROVED	RYAN	UNIT: mm	SHEET: N/A
		MODEL: REV. B SCALE N/A	

DIM	TOL	DIM	TOL
X.	±0.30	X'	±4.0'
X.X	±0.25	X.X'	±3.0'
X.XX	±0.20	X.XX'	±2.0'
X.XXX	±0.10	X.XXX'	±1.0'

THIS DRAWING CONTAINS INFORMATION THAT IS PROVIDED BY SONGJIAN OR ELECTRONIC QUALITY AND SHOULD NOT BE USED WITHOUT WRITTEN PERMISSION