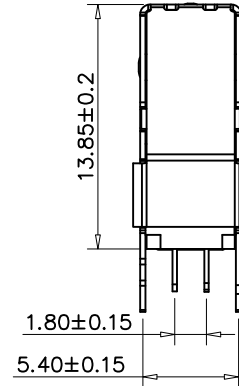
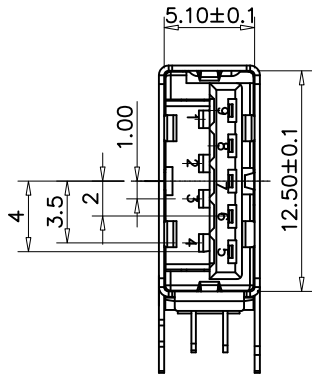
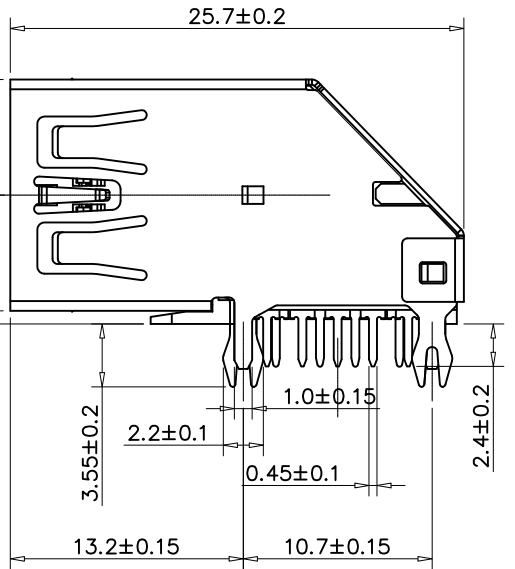
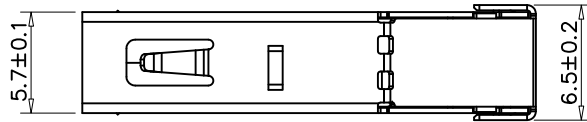
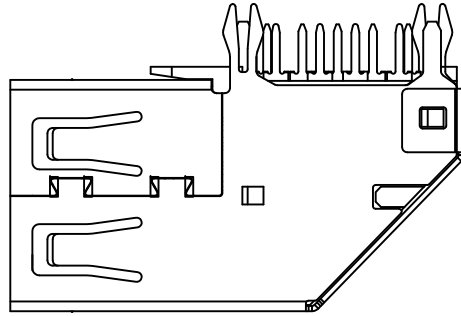
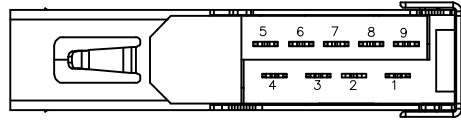
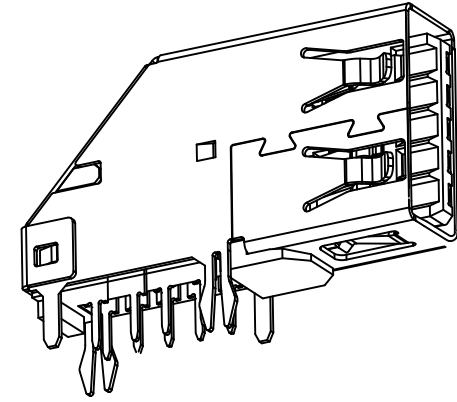


REV.	ECN NO.	LOCAS.	DESCRIPTION	DATE	DESIGN
A0			RELEASE TO CUSTOMER	080505	HANG
B					HANG



Pin	Signal Name	
1	VBUS	USB2.0 Contact Pin
2	D-	
3	D+	
4	GND	
5	StdA_SSRX-	USB3.0 Contact Pin
6	StdA_SSRX+	
7	GND_DRAIN	
8	StdA_SSTX-	
9	StdA_SSTX+	



ELETRICAL

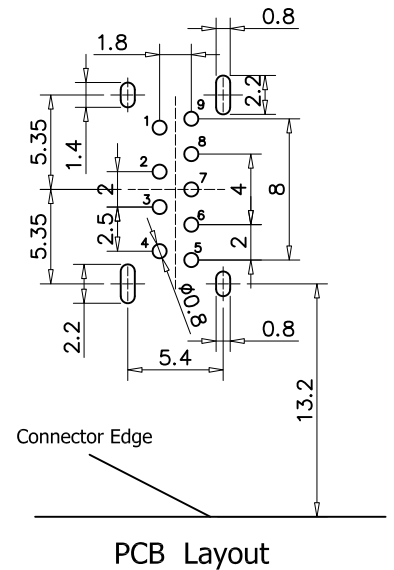
- 1.Current Rating:0.25A~1.8A
- 2.Contact Resistance:50m ohms max
- 3.Insulation Resistance:100M ohms Min
- 4.Dielectric Withstanding Voltage:500V AC

MECHANICAL

- 1.Mating Force:3.57kgf Max
- 2.Unmating Force:1.02kgf Min
- 3.Retention Force:1.0kgf/Pin

MATERIAL

- 1.Housing:UL94V-0, PBT,Color:Blue
- 2.Shell:Brass or SPCC
- 3.Pin :copper alloy
- 4.Back cover:SPCC



DIM	TOL	DIM	TOL
X.	±0.30	X".	±4.0"
X.X	±0.25	X.X"	±3.0"
X.XX	±0.20	X.XX"	±2.0"
X.XXX	±0.10	X.XXX"	±1.0"

THIS DRAWING CONTAINS INFORMATION THAT IS PROVIDED BY LASTAR TECHNOLOGY AND SHOULD NOT BE USED WITHOUT WRITTEN PERMISSION

LASTAR		Lastar Technology CO., LTD			
FILE NO		DATE	PRODUCT NAME: USB3.0 Female DIP90° 侧插无卷边		
DESIGN	HANG	080505	PART NUMBER USB-412-26E-0915		SHORT CODE :
CHECK	WANGCM	080506	UNIT: mm		MODEL:
APPROVED	HUYX	080506	SHEET: N/A	REV. B	SCALE N/A