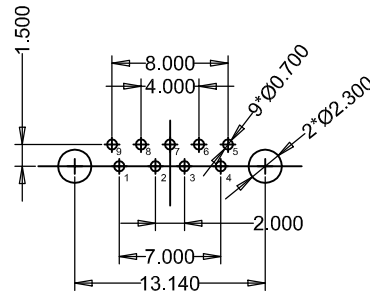
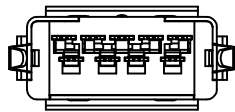
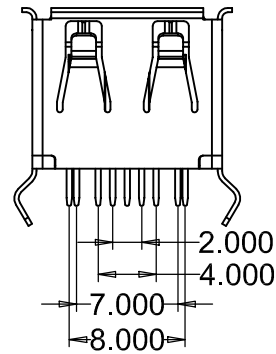
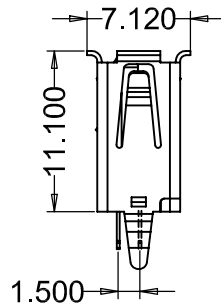
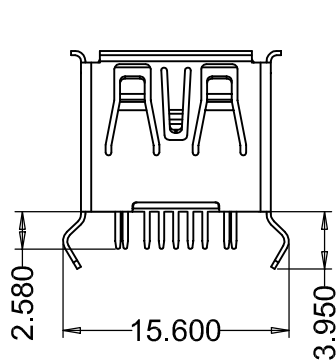
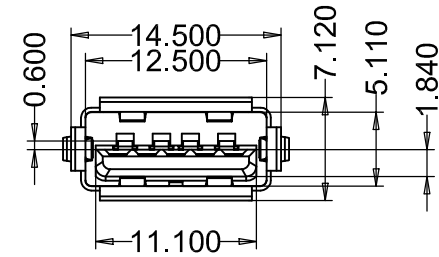


所有原料材质，生产制程，电镀必须符合RoHS要求

REV.	ECN NO.	LOCAS.	DESCRIPTION	DATE	DESIGN
A			RELEASE TO CUSTOMER	150116	YINC



Recommended P.C.B Layout
General Tolerance ±0.05

NOTE:

1. MATERIAL:

- 1.1 INSULATOR: PBT & PA9T & LCP
- 1.2 CONTACT: COPPER ALLOY
- 1.3 SHELL: BRASS

2. ELECTRICAL CHARACTERISTICS:

- 2.1 CONTACT RESISTANCE: 30mΩ MAXIMUM
- 2.2 CONTACT CURRENT RATING: 1.5A
- 2.3 DIELECTRIC WITHSTANDING VOLTAGE: 100 V R. M. S.
- 2.4 INSULATION RESISTANCE 100 MEGOHMS MIN
- 2.5 OPERATING TEMPERATURE: -20° C ~ 60° C

3. PLATING

- 3.1 TERMINAL:
 - 50u" MIN NICKEL ALL OVER
 - 100u" MIN Tin ON SOLDER AREA
 - (1~30)u" Au ON CONTACT AREA
- 3.2 SHELL: 80u" MIN. NICKEL ALL OVER

4. PART NO. :

Pin NUMBER	SIGNAL NAME
1	VBUS
2	D-
3	D+
4	GND
5	StdA_SSRX-
6	StdA_SSRX+
7	GND_DRAIN
8	StdA_SSTX-
9	StdA_SSTX+
Shell	Shield

<table border="1"> <tr> <th>DIM</th> <th>TOL</th> <th>DIM</th> <th>TOL</th> </tr> <tr> <td>X.</td> <td>±0.30</td> <td>X".</td> <td>±4.0"</td> </tr> <tr> <td>X.X</td> <td>±0.25</td> <td>X.X"</td> <td>±3.0"</td> </tr> <tr> <td>X.XX</td> <td>±0.20</td> <td>X.XX"</td> <td>±2.0"</td> </tr> <tr> <td>X.XXX</td> <td>±0.10</td> <td>X.XXX"</td> <td>±1.0"</td> </tr> </table> <p><small>THIS DRAWING CONTAINS INFORMATION THAT IS PROVIDED BY LASTAR TECHNOLOGY AND SHOULD NOT BE USED WITHOUT WRITTEN PERMISSION</small></p>	DIM	TOL	DIM	TOL	X.	±0.30	X".	±4.0"	X.X	±0.25	X.X"	±3.0"	X.XX	±0.20	X.XX"	±2.0"	X.XXX	±0.10	X.XXX"	±1.0"	DRAW NO.	421-26D-1311-09C2	DATE		<p>■深圳朗思达 □香港朗思达</p> <p>□东莞共营 □前海共赢</p> <p>connector & cable</p>	DRAW NAME:		USB 3.0 A母 DIP180 11.1 弯脚卷边	
	DIM	TOL	DIM	TOL																									
	X.	±0.30	X".	±4.0"																									
	X.X	±0.25	X.X"	±3.0"																									
X.XX	±0.20	X.XX"	±2.0"																										
X.XXX	±0.10	X.XXX"	±1.0"																										
DESIGN	YINC	150116		P/N NO.	USB-421-26D-1311-09C2	SHORT CODE	20900030																						
CHECK	ZHAOZZ	150116		UNIT:	mm	SHEET:	N/A																						
APPROVED	HUXW	150116		REV.	A	MODEL	C2																						
						SCALE	N/A																						