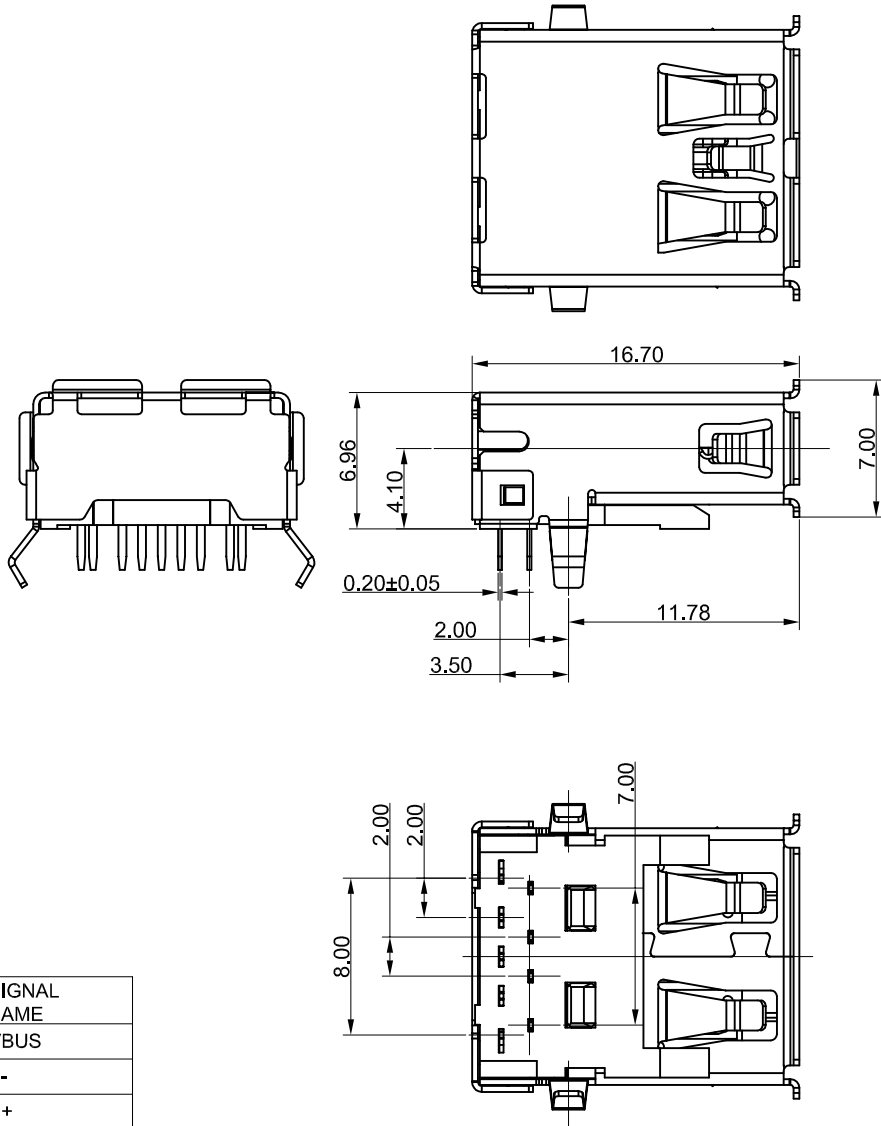
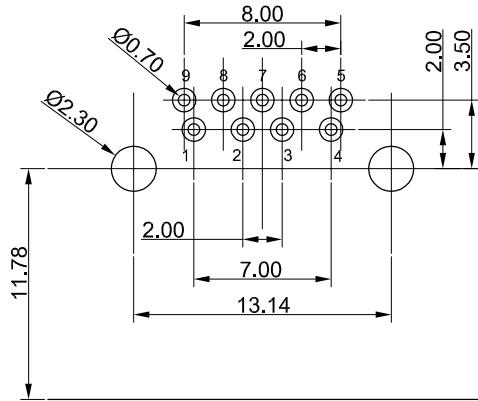
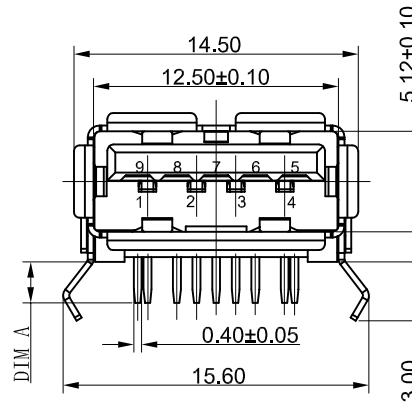


所有原料材质，生产制程，电镀必须符合RoHS要求

REV.	ECN NO.	LOCAS.	DESCRIPTION	DATE	DESIGN
A			RELEASE TO CUSTOMER	150116	YINC
B			加长底部塑胶	200430	YINC



PART NO	DIMA
USB-412-2E7-21-09C2	2. 10
USB-412-2E7-23-09C2	2. 30
USB-412-2E7-25-09C2	2. 50



RECOMMENDED PCBA LAYOUT
(TOLERANCE+±0.05)

NOTE:

1. MATERIAL:
 - 1.1 INSULATOR:HIGH TEMPERATURE PLASTIC
 - 1.2 CONTACT:BRONZE
 - 1.3 SHELL:BRASS
2. ELECTRICAL CHARACTERISTICS:
 - 2.1 CONTACTRESISTANCE:30mΩ MAX
 - 2.2 CONTACT CURRENT RATING:1.5A
 - 2.3 DIELECTRIC WITHSTANDING VOLTAGE:100 V R. M. S.
 - 2.4 INSULATION RESISTANCE 100 MΩ MIN
 - 2.5 OPERATING TEMPERATURE:-40° C ~ 85° C
3. MECHANICAL CHARACTERISTICS:
 - 3.1 MATING FORCE:3.57kgf MAX
 - 3.2 UNMATING FORCE:1.02kgf MIN
 - 3.3 DURABILITY:MANDATORY:1,500 CYCLES
4. PLATING
 - 4.1 TERMINAL:
 - 50u" MIN NICKEL ALL OVER
 - 100u"MIN Tin ON SOLDER AREA
 - (1~30)u"Au ON CONTACT AREA
 - 4.2 SHELL:50u"MIN. NICEL ALL OVER

PIN NUMBER	SIGNAL NAME
1	VBUS
2	D-
3	D+
4	GND
5	StdA_SSRX-
6	StdA_SSRX+
7	GND_DRAIN
8	StdA_SSTX-
9	StdA_SSTX+

Shell Shield

DIM	TOL	DIM	TOL
X.	±0.30	X".	±4.0"
X.X	±0.25	X.X"	±3.0"
X.XX	±0.20	X.XX"	±2.0"
X.XXX	±0.10	X.XXX"	±1.0"

DRAW NO.	412-2E7-XX-09C2	DATE	
DESIGN	YINC	200430	
CHECK	ZHAOZZ	200430	
APPROVED	HUXW	200430	



深圳朗思达
 香港朗思达
东莞共营
 前海共赢

connector & cable

DRAW NAME: USB 3.0 AF 板上90度DIP弯脚有卷边	
P/N NO. USB-412-2E7-XX-09C2	SHORT CODE 20900004
UNIT: mm	SHEET: N/A
REV. B	SCALE N/A

THIS DRAWING CONTAINS INFORMATION THAT IS PROVIDED BY LASTAR TECHNOLOGY AND SHOULD NOT BE USED WITHOUT WRITTEN PERMISSION