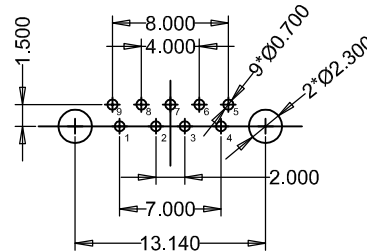
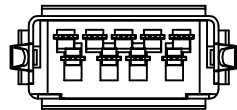
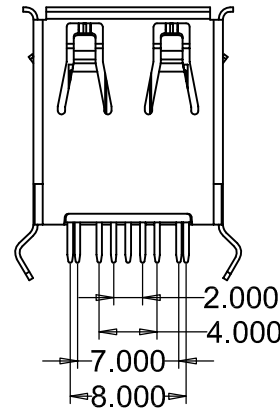
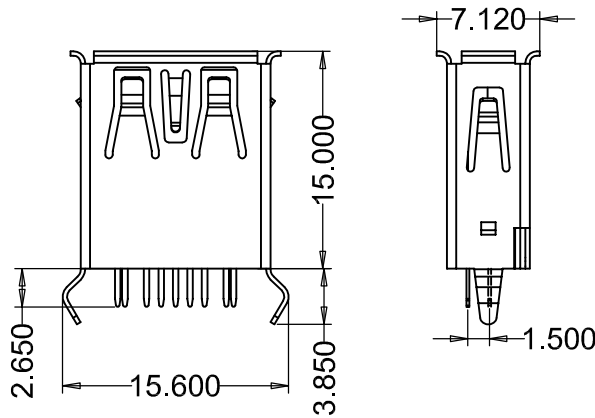
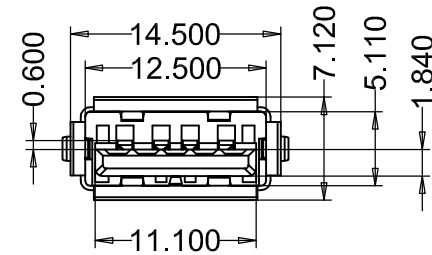


**\*所有原料材质，生产制程，电镀必须符合RoHS要求\***

REV.	ECN NO.	LOCAS.	DESCRIPTION	DATE	DESIGN
A			RELEASE TO CUSTOMER	150116	YINC



Recommended P.C.B Layout  
General Tolerance±0.05

NOTE:

1. MATERIAL:

- 1.1 INSULATOR:PBT & PA9T &LCP
- 1.2 CONTACT:COPPER ALLOY
- 1.3 SHELL:BRASS

2. ELECTRICAL CHARACTERISTICS;

- 2.1 CONTACTRESISTANCE:30mΩ MAXIMUM
- 2.2 CONTACT CURRENT RATING:1.5A
- 2.3 DIELECTRIC WITHSTANDING VOLTAGE:100 V R. M. S.
- 2.4 INSULATION RESISTANCE 100 MEGOHMS MIN
- 2.5 OPERATING TEMPERATURE:-20° C ~ 60° C

3. PLATING

3.1 TERMINAL:

- 50u" MIN NICKEL ALL OVER
- 100u"MIN Tin ON SOLDER AREA
- (1~30)u"Au ON CONTACT AREA

3.2 SHELL:80u"MIN. NICEL ALL OVER

4. PART NO. :

Pin NUMBER	SIGNAL NAME
1	VBUS
2	D-
3	D+
4	GND
5	StdA_SSRX-
6	StdA_SSRX+
7	GND_DRAIN
8	StdA_SSTX-
9	StdA_SSTX+
Shell	Shield

<table border="1"> <tr> <td>DIM</td> <td>TOL</td> <td>DIM</td> <td>TOL</td> </tr> <tr> <td>X.</td> <td>±0.30</td> <td>X".</td> <td>±4.0"</td> </tr> <tr> <td>X.X</td> <td>±0.25</td> <td>X.X"</td> <td>±3.0"</td> </tr> <tr> <td>X.XX</td> <td>±0.20</td> <td>X.XX"</td> <td>±2.0"</td> </tr> <tr> <td>X.XXX</td> <td>±0.10</td> <td>X.XXX"</td> <td>±1.0"</td> </tr> </table> <p>THIS DRAWING CONTAINS INFORMATION THAT IS PROVIDED BY LASTAR TECHNOLOGY AND SHOULD NOT BE USED WITHOUT WRITTEN PERMISSION</p>	DIM	TOL	DIM	TOL	X.	±0.30	X".	±4.0"	X.X	±0.25	X.X"	±3.0"	X.XX	±0.20	X.XX"	±2.0"	X.XXX	±0.10	X.XXX"	±1.0"	<table border="1"> <tr> <td>DRAW NO.</td> <td>421-26D-1315-09C2</td> <td>DATE</td> <td></td> </tr> <tr> <td>DESIGN</td> <td>YINC</td> <td>150116</td> <td></td> </tr> <tr> <td>CHECK</td> <td>ZHAOZZ</td> <td>150116</td> <td></td> </tr> <tr> <td>APPROVED</td> <td>HUXW</td> <td>150116</td> <td></td> </tr> </table>	DRAW NO.	421-26D-1315-09C2	DATE		DESIGN	YINC	150116		CHECK	ZHAOZZ	150116		APPROVED	HUXW	150116		 <a href="http://www.lsdconn.com">http://www.lsdconn.com</a>  <a href="http://www.asia-wt.com">http://www.asia-wt.com</a>	<input checked="" type="checkbox"/> 深圳朗思达 <input type="checkbox"/> 香港朗思达 <input type="checkbox"/> 东莞共营 <input type="checkbox"/> 前海共赢 <b>connector &amp; cable</b>	DRAW NAME: USB 3.0 A母 DIP180 15.0 弯脚卷口 铜壳 P/N NO. USB-421-26D-1315-09C2 UNIT: mm   SHEET: N/A REV. A	<table border="1"> <tr> <td>SHORT CODE</td> <td>20900016</td> </tr> <tr> <td>MODEL</td> <td>C2</td> </tr> <tr> <td>SCALE</td> <td>N/A</td> </tr> </table>	SHORT CODE	20900016	MODEL	C2	SCALE	N/A
	DIM	TOL	DIM	TOL																																											
	X.	±0.30	X".	±4.0"																																											
	X.X	±0.25	X.X"	±3.0"																																											
X.XX	±0.20	X.XX"	±2.0"																																												
X.XXX	±0.10	X.XXX"	±1.0"																																												
DRAW NO.	421-26D-1315-09C2	DATE																																													
DESIGN	YINC	150116																																													
CHECK	ZHAOZZ	150116																																													
APPROVED	HUXW	150116																																													
SHORT CODE	20900016																																														
MODEL	C2																																														
SCALE	N/A																																														