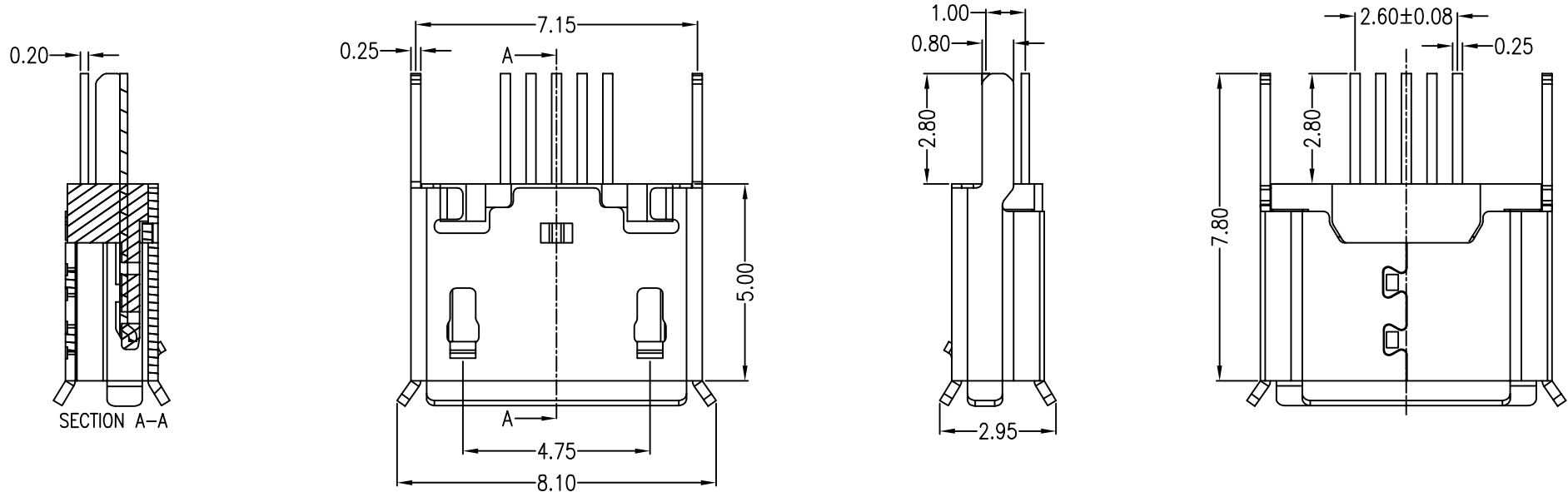


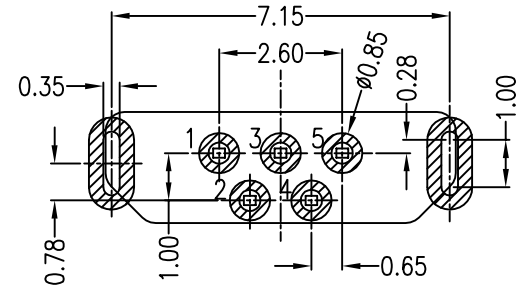
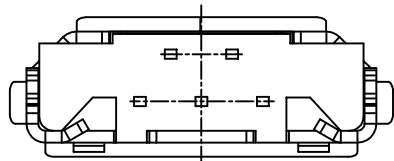
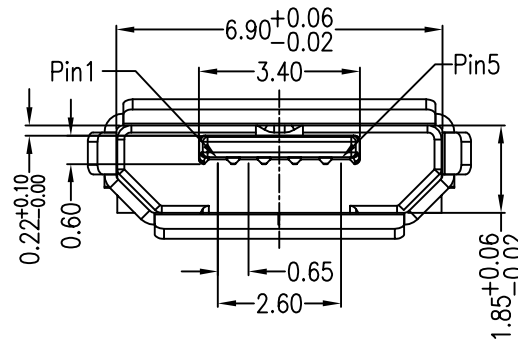
所有原料材质，生产制程，电镀必须符合RoHS要求

| | | | | | |
|------|---------|--------|---------------------|--------|--------|
| REV. | ECN NO. | LOCAS. | DESCRIPTION | DATE | DESIGN |
| AO | | | RELEASE TO CUSTOMER | 150116 | RYAN |
| | | | | | |



Note:

1. Material:
 - 1.1 Housing: High temperature thermoplastic with g.f, UL94v-0
 - 1.2 Contact: copper alloy, t=0.2mm
 - 1.3 Shell: SUS201, t=0.25mm
2. Specification:
 - 2.1 Current rating: 1 A Max.
 - 2.2 Dielectric withstanding voltage: 100 V(ac) for 1 min.
 - 2.3 Contact resistance: 30 MΩ Max.
 - 2.4 Insulation resistance: 100 MΩ Min.
 - 2.5 Total mating force: 3.57 Kgf Max.
 - 2.6 Total unmating force: 1.0 Kgf Min
 - 2.7 Temperature range: -30° C~80° C



Recommended P.C.B Layout
General Tolerance ±0.05

| DIM | TOL | DIM | TOL |
|-------|-------|--------|-------|
| X. | ±0.30 | X' | ±4.0° |
| X.X | ±0.25 | X.X' | ±3.0° |
| X.XX | ±0.20 | X.XX' | ±2.0° |
| X.XXX | ±0.10 | X.XXX' | ±1.0° |

THIS DRAWING CONTAINS INFORMATION THAT IS PROVIDED BY LASTAR TECHNOLOGY AND SHOULD NOT BE USED WITHOUT WRITTEN PERMISSION

| | | | | | |
|---------------|--------------|--------|--|---------|------------|
| LASTAR | | | Lastar Technology CO., LTD | | |
| | | | TEL:0755-27157971 FAX:0755-27157976 Http://www.lsdconn.com | | |
| DRAW NO. | 322-E1D-05W3 | DATE | DRAW NAME: MICRO USB 5PIN B TYPE 插板脚长2.8 DIP180° | | |
| DESIGN | RYAN | 150116 | P/N NO. USB-322-E1D-05W3 | | SHORT CODE |
| CHECK | WANGCM | 150116 | UNIT: mm | | MODEL W3 |
| APPROVED | HUYX | 150116 | SHEET: N/A | REV. AO | SCALE N/A |