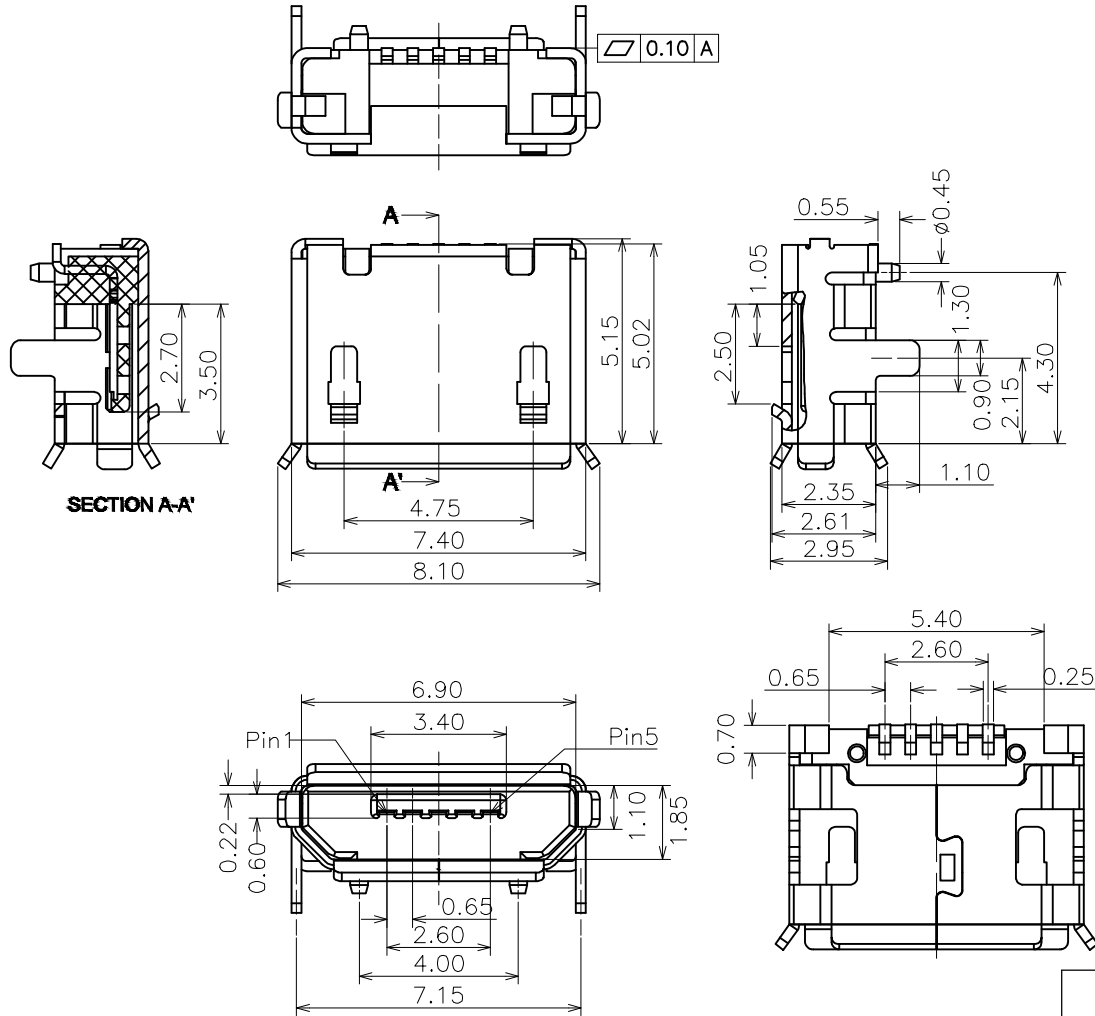


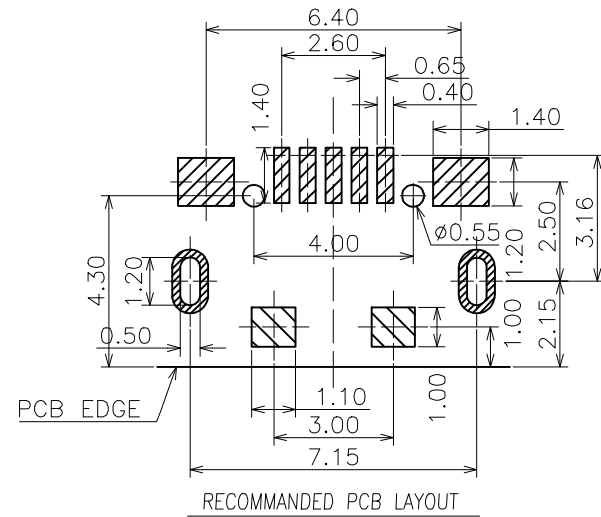
\*All raw material,production process,electroplating must meet the requirements of EU RoHS.\*

REV.	ECN NO.	LOCAS.	DESCRIPTION	DATE	DESIGN
A0			RELEASE TO CUSTOMER		HANG
B					HANG



**Notes:**

1. Materials:
  - 1.1 Housing: High temperature thermoplastic with g.f,UL94 v-0.
  - 1.2 Contact: copper alloy,t=0.20mm.
  - 1.3 Shell: copper alloy,t=0.25mm.
2. Specifications:
  - 2.1. Current rating: 1 A Max.
  - 2.2. Dielectric withstanding voltage: 100 V(ac) for 1 min.
  - 2.3. Contact resistance: 50 mW Max.
  - 2.4. Insulation resistance: 100 MW Min.
  - 2.5. Total mating force: 3.57 Kgf Max.
  - 2.6. Total unmating force: 1.0 Kgf Min.0.81~2.05 Kgf Min.after 10000 insertion/extraction cycles
  - 2.7. Temperature range: -30°C~+80°C



深圳朗思达科技有限公司

DIM	TOL	DIM	TOL
X.	±0.30	X".	±4.0"
X.X	±0.25	X.X"	±3.0"
X.XX	±0.20	X.XX"	±2.0"
X.XXX	±0.10	X.XXX"	±1.0"

THIS DRAWING CONTAINS INFORMATION THAT IS PROVIDED BY LONGSHI  
OR ELECTRONIC QUALITY AND SHOULD NOT BE USED WITHOUT WRITTEN PERMISSION

DRAW NO.		DATE	DRAW NAME: MICRO USB 5PIN 前插后贴7.15 插脚长1.1 卷口	
DESIGN	HANG	20200218	P/N NO. 20800115	CIB CODE:
CHECK	ZHAOZZ	20200218	UNIT: mm	MODEL:
APPROVED	RYAN	20200218	SHEET: N/A	REV. B SCALE N/A