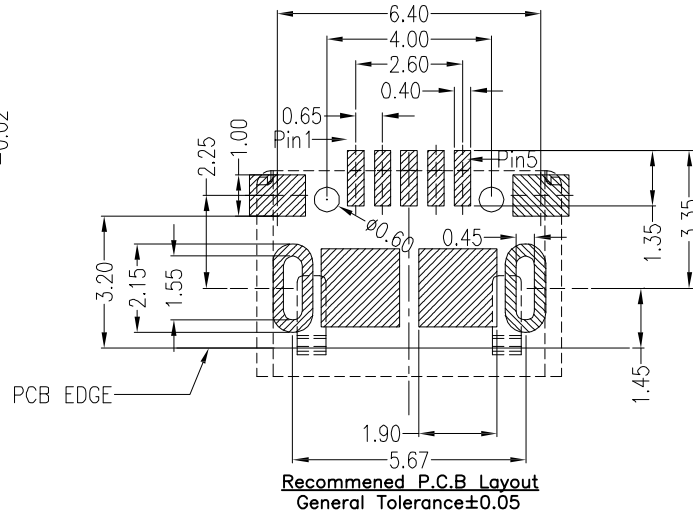
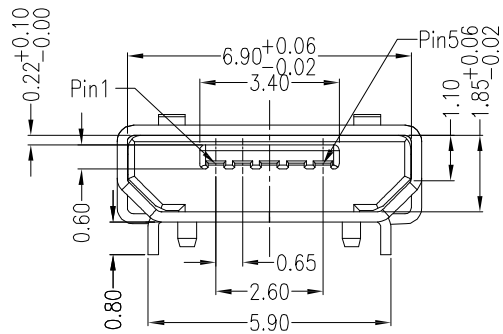
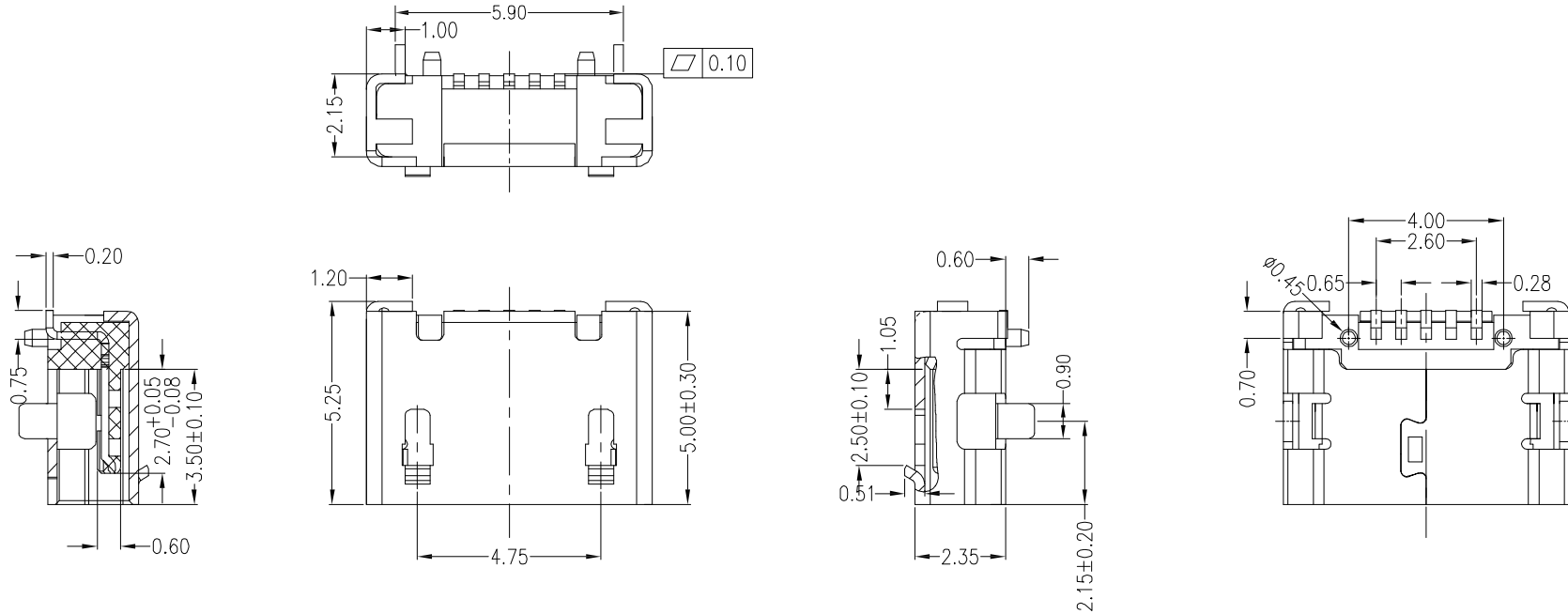


所有原料材质，生产制程，电镀必须符合RoHS要求

REV.	ECN NO.	LOCAS.	DESCRIPTION	DATE	DESIGN
A			RELEASE TO CUSTOMER	150116	YINC



Note:

1.Material:

- 1.1 Housing: High temperature thermoplastic with g.f,UL94v-0
- 1.2 Contact: copper alloy,t=0.20mm
- 1.3 Shell: copper alloy,t=0.25mm

2.Specification:

- 2.1 Current rating:1,5PIN 1.8A Max/2,3,4PIN 1A Max.
- 2.2 Dielectric withstanding voltage: 100 V(ac) for 1 min.
- 2.3 Contact resistance: 30 mΩ Max.
- 2.4 Insulation resistance: 100 MΩ Min.
- 2.5 Total mating force: 3.57 Kgf Max.
- 2.6 Total unmating force: 1.0 Kgf Min.
- 2.7 Temperature range: -30°C~80°C

<table border="1"> <tr> <th>DIM</th> <th>TOL</th> <th>DIM</th> <th>TOL</th> </tr> <tr> <td>X.</td> <td>±0.30</td> <td>X*</td> <td>±4.0°</td> </tr> <tr> <td>X.X</td> <td>±0.25</td> <td>X.X*</td> <td>±3.0°</td> </tr> <tr> <td>X.XX</td> <td>±0.20</td> <td>X.XX*</td> <td>±2.0°</td> </tr> <tr> <td>X.XXX</td> <td>±0.10</td> <td>X.XXX*</td> <td>±1.0°</td> </tr> </table>				DIM	TOL	DIM	TOL	X.	±0.30	X*	±4.0°	X.X	±0.25	X.X*	±3.0°	X.XX	±0.20	X.XX*	±2.0°	X.XXX	±0.10	X.XXX*	±1.0°	<table border="1"> <tr> <th>DRAW NO.</th> <td>322-C04-05W3</td> <th>DATE</th> <td></td> </tr> <tr> <th>DESIGN</th> <td>YINC</td> <th>150116</th> <td></td> </tr> <tr> <th>CHECK</th> <td>ZHAOZZ</td> <th>150116</th> <td></td> </tr> <tr> <th>APPROVED</th> <td>HUXW</td> <th>150116</th> <td></td> </tr> </table>	DRAW NO.	322-C04-05W3	DATE		DESIGN	YINC	150116		CHECK	ZHAOZZ	150116		APPROVED	HUXW	150116		<p>Http://www.lsdconn.com</p> <p>Http://www.asia-wt.com</p>	<p>■深圳朗思达 □香港朗思达</p> <p>□东莞共营 □前海共赢</p> <p>connector & cable</p>	<table border="1"> <tr> <td colspan="2">DRAW NAME:</td> <td colspan="2">MICRO USB 5PIN 前插后贴 5.65 平口 有柱</td> </tr> <tr> <td>P/N NO.</td> <td>USB-322-C04-05W3</td> <td>SHORT CODE</td> <td>20800062</td> </tr> <tr> <td>UNIT:</td> <td>mm</td> <td>SHEET:</td> <td>N/A</td> </tr> <tr> <td>REV.</td> <td>A</td> <td>MODEL</td> <td>W3</td> </tr> <tr> <td></td> <td></td> <td>SCALE</td> <td>N/A</td> </tr> </table>	DRAW NAME:		MICRO USB 5PIN 前插后贴 5.65 平口 有柱		P/N NO.	USB-322-C04-05W3	SHORT CODE	20800062	UNIT:	mm	SHEET:	N/A	REV.	A	MODEL	W3			SCALE	N/A
DIM	TOL	DIM	TOL																																																												
X.	±0.30	X*	±4.0°																																																												
X.X	±0.25	X.X*	±3.0°																																																												
X.XX	±0.20	X.XX*	±2.0°																																																												
X.XXX	±0.10	X.XXX*	±1.0°																																																												
DRAW NO.	322-C04-05W3	DATE																																																													
DESIGN	YINC	150116																																																													
CHECK	ZHAOZZ	150116																																																													
APPROVED	HUXW	150116																																																													
DRAW NAME:		MICRO USB 5PIN 前插后贴 5.65 平口 有柱																																																													
P/N NO.	USB-322-C04-05W3	SHORT CODE	20800062																																																												
UNIT:	mm	SHEET:	N/A																																																												
REV.	A	MODEL	W3																																																												
		SCALE	N/A																																																												

THIS DRAWING CONTAINS INFORMATION THAT IS PROVIDED BY LASTAR TECHNOLOGY AND SHOULD NOT BE USED WITHOUT WRITTEN PERMISSION