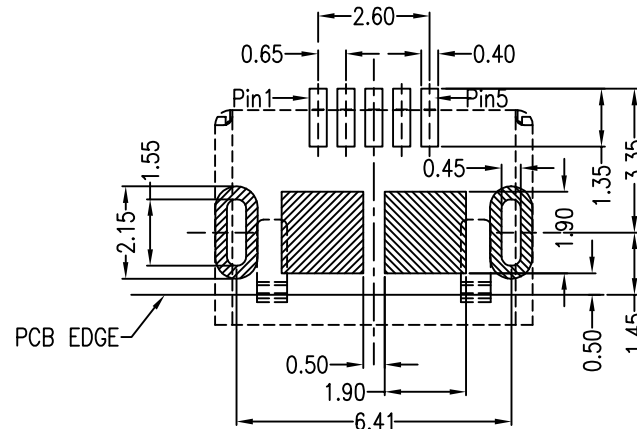
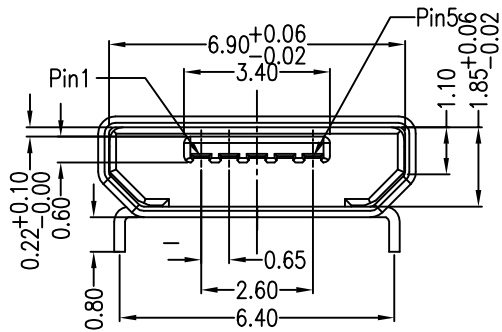
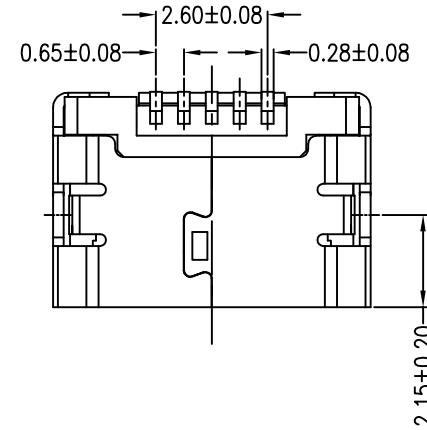
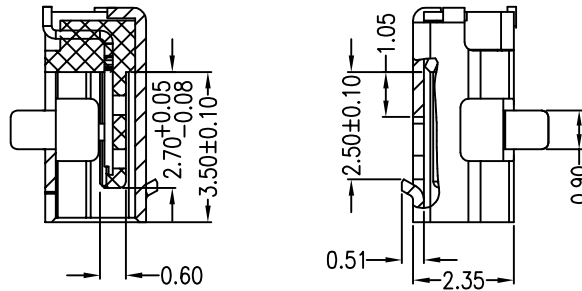
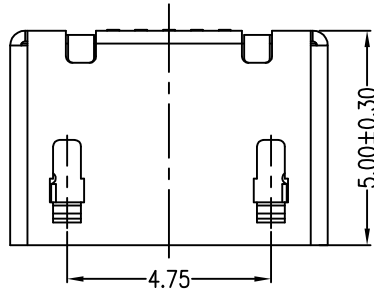


所有原料材质，生产制程，电镀必须符合RoHS要求

REV.	ECN NO.	LOCAS.	DESCRIPTION	DATE	DESIGN
AO			RELEASE TO CUSTOMER	150116	RYAN



RECOMMENDED PCB LAYOUT

PCB图仅供参考

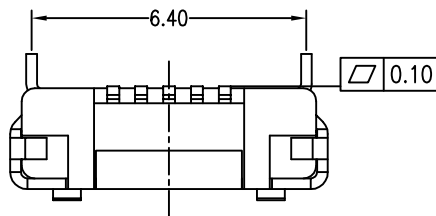
Note:

1. Material:

- 1.1 Housing: High temperature thermoplastic with g.f, UL94v-0
- 1.2 Contact: copper alloy, t=0.20mm
- 1.3 Shell: copper alloy, t=0.25mm

2. Specification:

- 2.1 Current rating: 1, 5PIN 1.8A Max/2, 3, 4PIN 1A Max.
- 2.2 Dielectric withstanding voltage: 100 V(ac) for 1 min.
- 2.3 Contact resistance: 30 mΩ Max.
- 2.4 Insulation resistance: 100 MΩ Min.
- 2.5 Total mating force: 3.57 Kgf Max.
- 2.6 Total unmating force: 1.0 Kgf Min
- 2.7 Temperature range: -30° C~80° C



LASTAR

Lastar Technology CO., LTD

TEL:0755-27157971 FAX:0755-27157976 Http://www.lsdconn.com

DRAW NO.	322-F8E-05W3	DATE	DRAW NAME: MICRO USB 5PIN 平口两脚插板6.40MM		
DESIGN	RYAN	150116	P/N NO. USB-322-F8E-05W3		SHORT CODE
CHECK	WANGCM	150116	UNIT: mm		MODEL W3
APPROVED	HUYX	150116	SHEET: N/A	REV. AO	SCALE N/A

DIM	TOL	DIM	TOL
X.	±0.30	X".	±4.0"
X.X	±0.25	X.X"	±3.0"
X.XX	±0.20	X.XX"	±2.0"
X.XXX	±0.10	X.XXX"	±1.0"

THIS DRAWING CONTAINS INFORMATION THAT IS PROVIDED BY LASTAR TECHNOLOGY AND SHOULD NOT BE USED WITHOUT WRITTEN PERMISSION