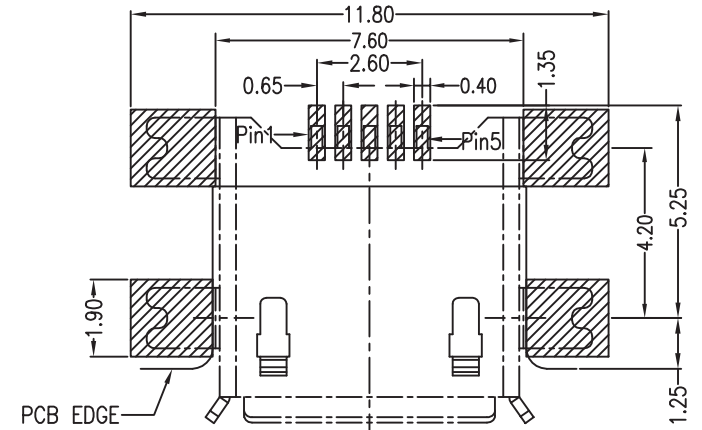
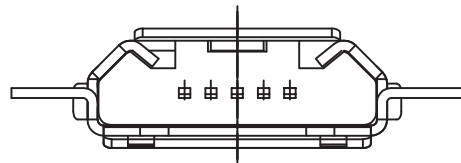
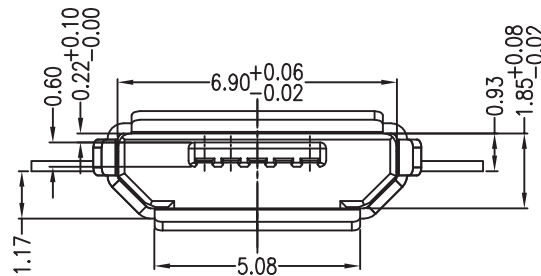
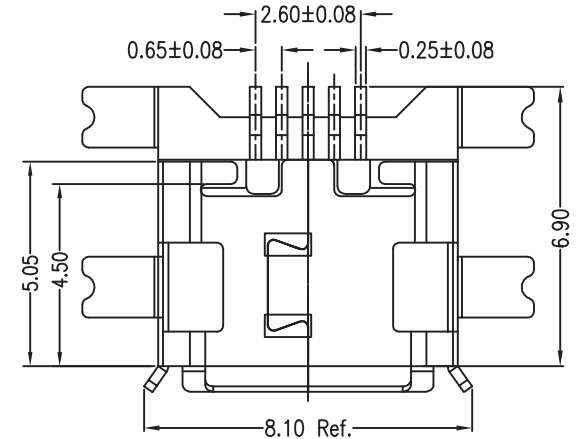
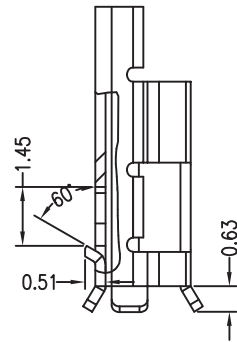
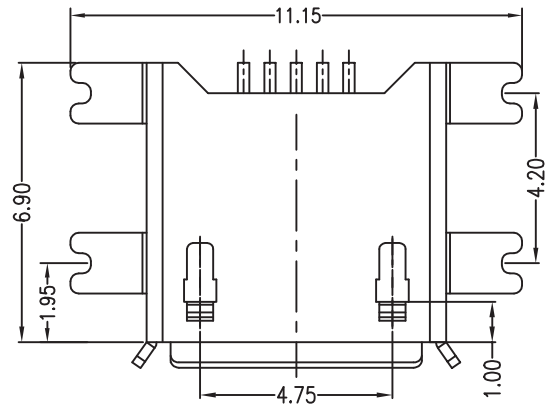
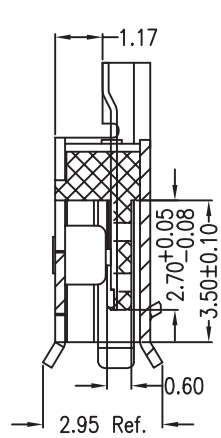


所有原料材质，生产制程，电镀必须符合RoHS要求

REV.	ECN NO.	LOCAS.	DESCRIPTION	DATE	DESIGN
AO			RELEASE TO CUSTOMER	150116	RYAN



RECOMMENDED PCB LAYOUT
PCB图仅供参考

Note:

1.Material:

- 1.1 Housing: High temperature thermoplastic with g.f,UL94v-0
- 1.2 Contact: copper alloy,t=0.15mm
- 1.3 Shell: copper alloy,t=0.25mm

2.Specification:

- 2.1 Current rating:1,5PIN 1.8A Max/2,3,4PIN 1A Max.
- 2.2 Dielectric withstanding voltage: 100 V(ac) for 1 min.
- 2.3 Contact resistance: 30 mΩ Max.
- 2.4 Insulation resistance: 100 MΩ Min.
- 2.5 Total mating force: 3.57 Kgf Max.
- 2.6 Total unmating force: 1.0 Kgf Min.
- 2.7 Temperature range: -30°C~80°C

DIM	TOL	DIM	TOL
X.	±0.30	X'.	±4.0°
X.X	±0.25	X.X'	±3.0°
X.XX	±0.20	X.XX'	±2.0°
X.XXX	±0.10	X.XXX'	±1.0°

THIS DRAWING CONTAINS INFORMATION THAT IS PROVIDED BY LASTAR TECHNOLOGY AND SHOULD NOT BE USED WITHOUT WRITTEN PERMISSION

LASTAR

Lastar Technology CO., LTD

TEL:0755-27157971 FAX:0755-27157976 Http://www.lsdconn.com

DRAW NO.	322-F6B-05W3	DATE	DRAW NAME:		
DESIGN	RYAN	150116	MICRO USB 5PIN 沉板 四脚全贴 卷口		
CHECK	WANGCM	150116	P/N NO.	USB-322-F6B-05W3	SHORT CODE
APPROVED	HUYX	150116	UNIT:	mm	MODEL
			SHEET:	N/A	W3
					REV. C
					SCALE N/A