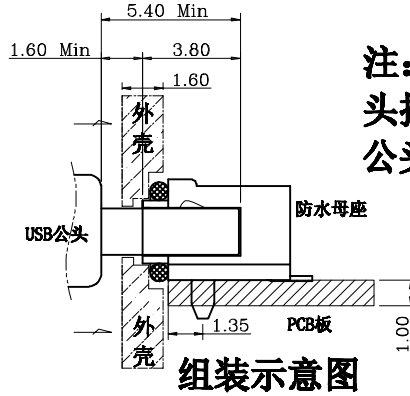
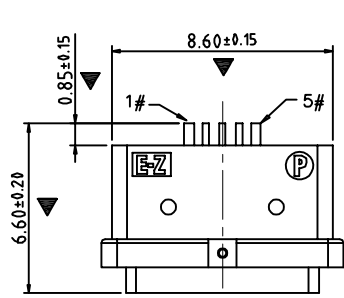


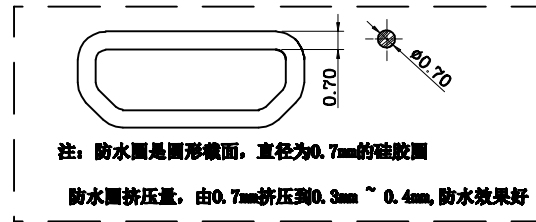
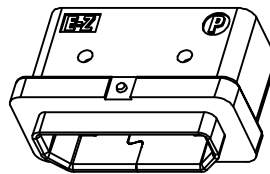
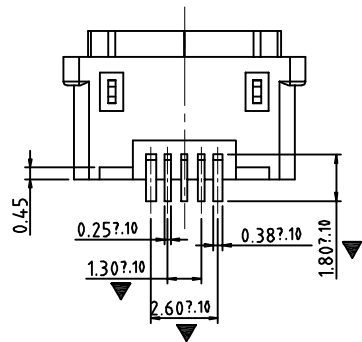
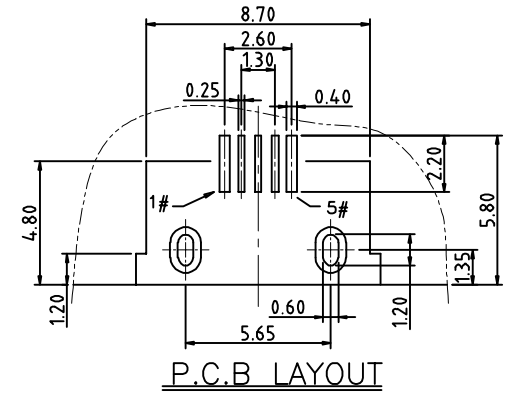
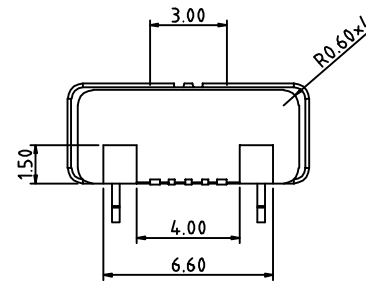
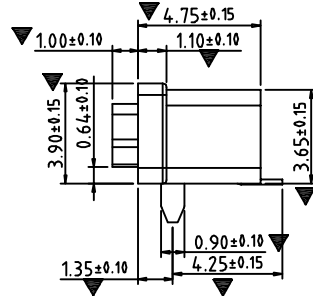
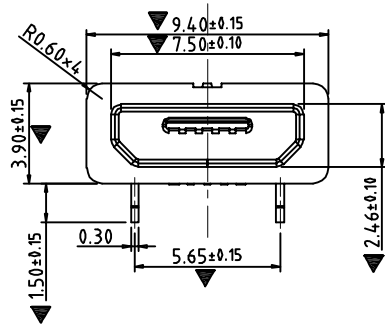
所有原料材质，生产制程，电镀必须符合RoHS要求

REV.	ECN NO.	LOCAS.	DESCRIPTION	DATE	DESIGN
A			RELEASE TO CUSTOMER	150116	YINC



注：设计时，请注意公头插入时的距离，防止公头插不到位。

- SPECIFICATIONS:
- ELECTRICAL CHARACTERISTICS:
 - RATING: 3A(PIN1&5), 0.5A(PIN2&3&4);
 - CONTACT RESISTANCE: 30 mΩ MAX.(INITIAL);
 - DIELECTRIC WITHSTANDING: 500V AC MIN.;
 - INSULATION RESISTANCE: 1000MΩ MIN.;
 - DURABILITY: 5,000 CYCLES MIN.;
 - INSERTION FORCE: 3.5Kgf (35N) Max.;
 - EXTRACTION FORCE: 0.8Kgf (8N) Min.;
 - WATER PROOFNESS: THIS PRODUCT IS BASED ON IPX6.
 - PLUG INTERFACE DIMENSIONS CONFORM TO USB2.0 SPEC.
 - PACKAGING: TAPE & REEL.



Contact Number	Signal Name	Remarks	3	Shell	1	SUS304R-1/2H Ni Plating T=0.30mm	
1#	VBUS	Power	2	Contact	5	Phosphor bronze C5191R-EH Au/Ni Plating T=0.20mm	
2#	D-	Date-					
3#	D+	Date+	1	Housing	1	PA9T&LCP (G.F30%)	
4#	ID	Reserve or Gound					
5#	GND	Gound					
	ITEM	PART NAME	Q' TY	FINISH	NOTE		

DRAW NO.	322-P3D-05W3	DATE		 ■深圳朗思达 □香港朗思达 □东莞共营 □前海共赢 connector & cable	DRAW NAME:	防水MICRO USB 5PIN母座 SMT 两脚插板6.6MM		
DESIGN	YINC	150116			P/N NO.	USB-322-P3D-05W3	SHORT CODE	20800093
CHECK	ZHAOZZ	150116			UNIT:	mm	SHEET:	N/A
APPROVED	HUXW	150116			MODEL	W3	REV.	A
DIM	TOL	DIM	TOL				SCALE	N/A
X.	±0.30	X'.	±4.0"					
X.X	±0.25	X.X'	±3.0"					
X.XX	±0.20	X.XX'	±2.0"					
X.XXX	±0.10	X.XXX'	±1.0"					

THIS DRAWING CONTAINS INFORMATION THAT IS PROVIDED BY LASTAR TECHNOLOGY AND SHOULD NOT BE USED WITHOUT WRITTEN PERMISSION