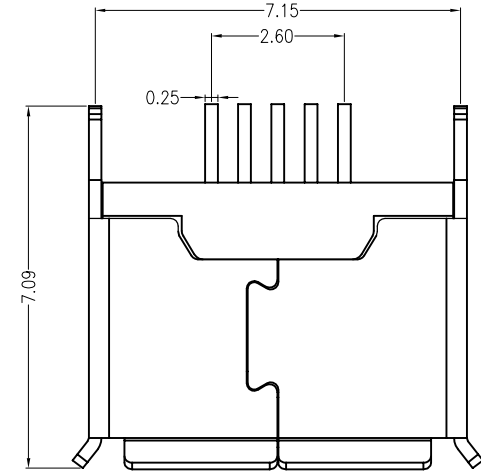
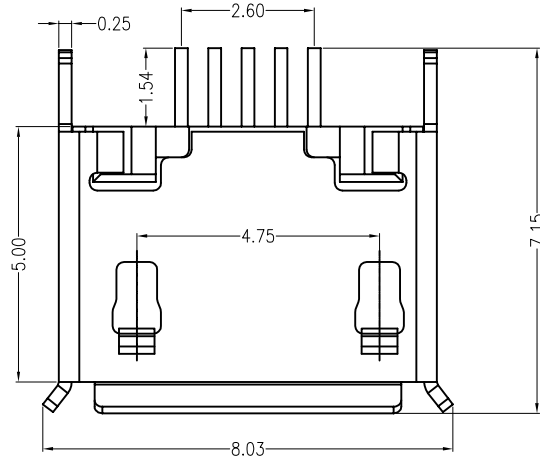
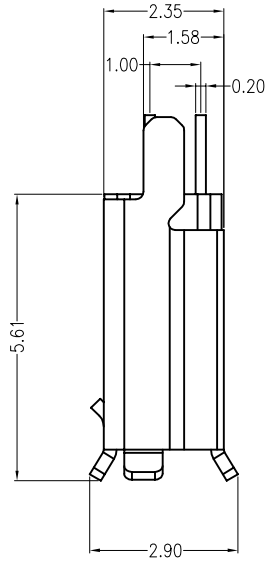


所有原料材质，生产制程，电镀必须符合RoHS要求

REV.	ECN NO.	LOCAS.	DESCRIPTION	DATE	DESIGN
AO			RELEASE TO CUSTOMER	150116	RYAN
B			新增标注尺寸	160725	RYAN



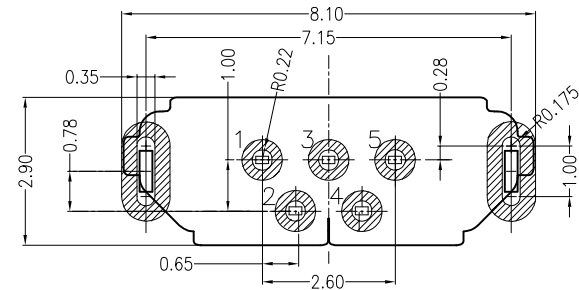
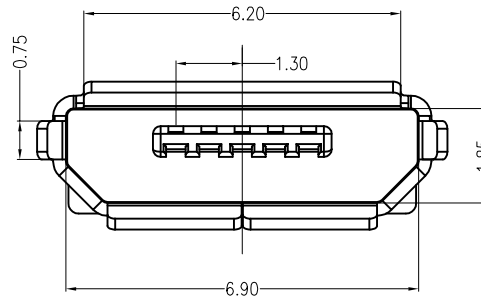
Note:

1. Material:

- 1.1 Housing: High temperature thermoplastic with g. f, UL94v-0
- 1.2 Contact: copper alloy, t=0.2mm
- 1.3 Shell: SUS201, t=0.25mm

2. Specification:

- 2.1 Current rating: 1 A Max.
- 2.2 Dielectric withstanding voltage: 100 V(ac) for 1 min.
- 2.3 Contact resistance: 30 MΩ Max.
- 2.4 Insulation resistance: 100 MΩ Min.
- 2.5 Total mating force: 3.57 Kgf Max.
- 2.6 Total unmating force: 1.0 Kgf Min
- 2.7 Temperature range: -30° C~80° C



Recommended P.C.B. Layout
General Tolerance±0.05

DIM	TOL	DIM	TOL
X.	±0.30	X'.	±4.0°
X.X	±0.25	X.X'	±3.0°
X.XX	±0.20	X.XX'	±2.0°
X.XXX	±0.10	X.XXX'	±1.0°

THIS DRAWING CONTAINS INFORMATION THAT IS PROVIDED BY LASTAR TECHNOLOGY AND SHOULD NOT BE USED WITHOUT WRITTEN PERMISSION

<h1>LASTAR</h1>		Lastar Technology CO., LTD TEL:0755-27157971 FAX:0755-27157976 Http://www.lsdconn.com	
		DRAW NO. 322-D3D-05W3	DATE 160725
DESIGN RYAN	160725	P/N NO. USB-322-D3D-05W3	SHORT CODE
CHECK WANGCM	160725	UNIT: mm	SHEET: N/A
APPROVED HUYX	160725	MODEL W3	REV. B SCALE N/A