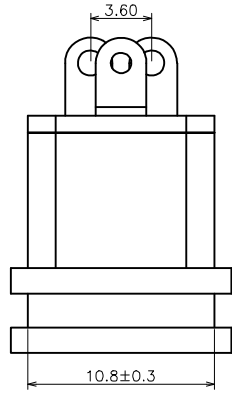


All raw material,production process,electroplating must meet the requirements of EU RoHS.

REV.	ECN NO.	LOCAS.	DESCRIPTION	DATE	DESIGN
A0			RELEASE TO CUSTOMER		HANG
E					HANG

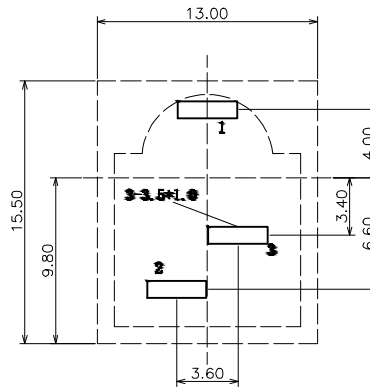
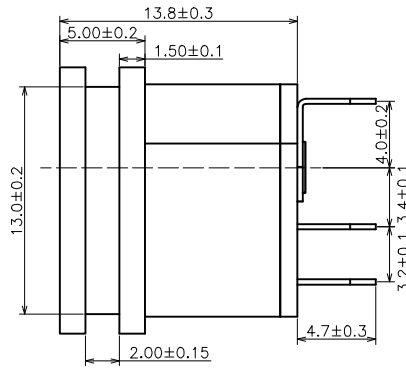
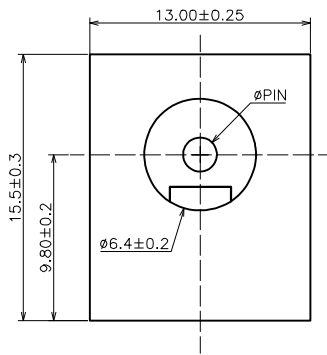


SPECIFICATION

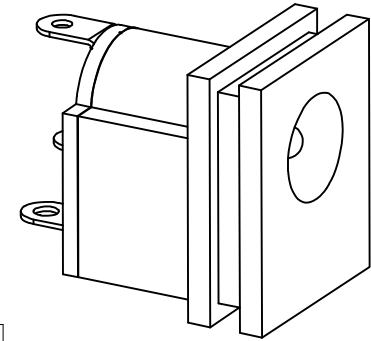
1. Current Rating: 0.5Amp
2. Operation Voltage: 30V
3. Contact Resistance: 30m Ohms Max
4. Insulation Resistance: 100M Ohms Min
5. Dielectric Withstanding Voltage: 500VAC
6. Mating and Unmating Force: 3 to 20N
7. Life: 5000 Cycles

Ordering Information of Product:

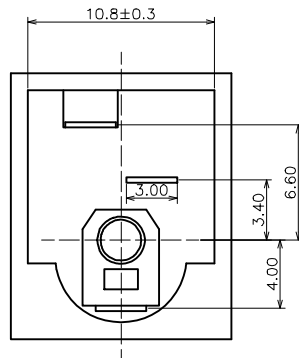
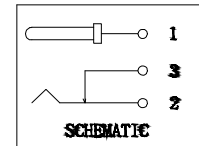
- DC-09015-YYX
1. X: Color (X=B, Black ; X=W, white; X=G, gray)
 2. YY: Ø Pin (YY=20, Ø=2.0; YY=25, Ø=2.5)



PCB Layout



PIN	Ø2.0	Ø2.5
APPD	✓	✓



DIM	TOL	DIM	TOL
X.	±0.30	X'	±4.0'
X.X	±0.25	X.X'	±3.0'
X.XX	±0.20	X.XX'	±2.0'
X.XXX	±0.10	X.XXX'	±1.0'

THIS DRAWING CONTAINS INFORMATION THAT IS PROVIDED IN CONFIDENCE OR ELECTRONIC QUALITY AND SHOULD NOT BE USED WITHOUT WRITTEN PERMISSION

深圳朗思达科技有限公司

DRAW NO.		DATE	DRAW NAME: DC座 DC-015 DIP180	
DESIGN	HANG	20200218	P/N NO. 30500088	CIB CODE:
CHECK	ZHAOZZ	20200218	UNIT: mm	MODEL:
APPROVED	RYAN	20200218	SHEET: N/A	REV. E SCALE N/A