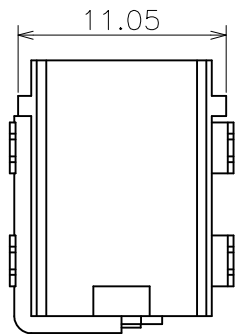
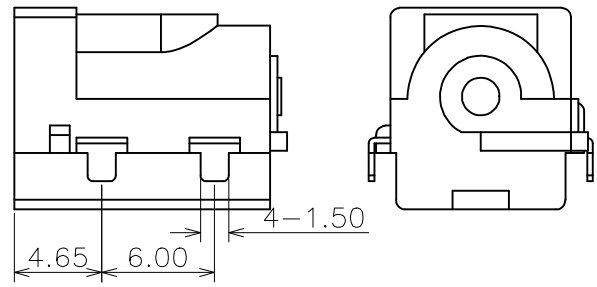
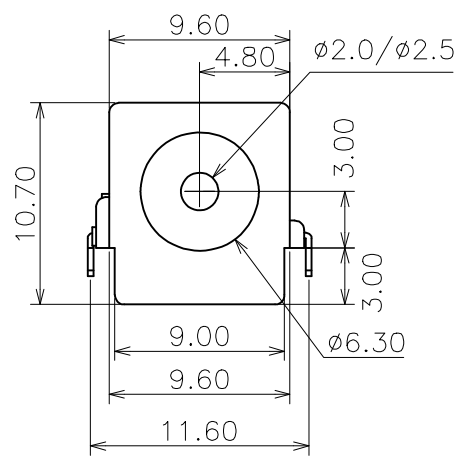
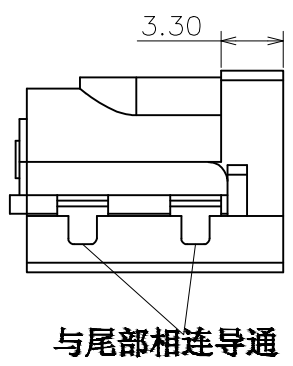
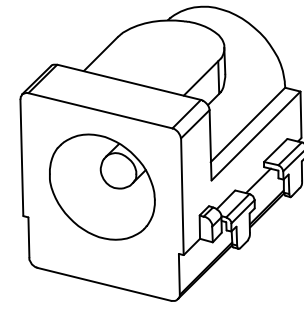
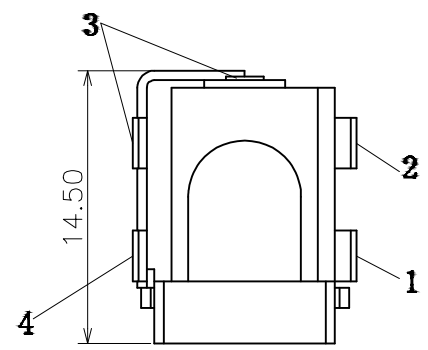
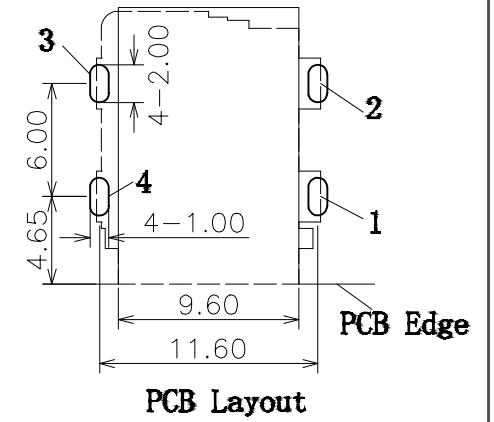
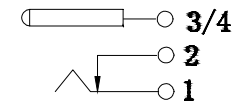


All raw material,production process,electroplating must meet the requirements of EU RoHS.

REV.	ECN NO.	LOCAS.	DESCRIPTION	DATE	DESIGN
A0			RELEASE TO CUSTOMER		HANG

SCHEMATIC



深圳朗思达科技有限公司

DRAW NO.		DATE	DRAW NAME: DC座 DC-050 沉板3.0	
DESIGN	HANG	20200218	P/N NO. 30500086	CIB CODE:
CHECK	ZHAOZZ	20200218	UNIT: mm	MODEL:
APPROVED	RYAN	20200218	SHEET: N/A	REV. A0 SCALE N/A

DIM	TOL	DIM	TOL
X.	±0.30	X'	±4.0'
X.X	±0.25	X.X'	±3.0'
X.XX	±0.20	X.XX'	±2.0'
X.XXX	±0.10	X.XXX'	±1.0'

THIS DRAWING CONTAINS INFORMATION THAT IS PROVIDED IN CONFIDENCE OR ELECTRONIC QUALITY AND SHOULD NOT BE USED WITHOUT WRITTEN PERMISSION