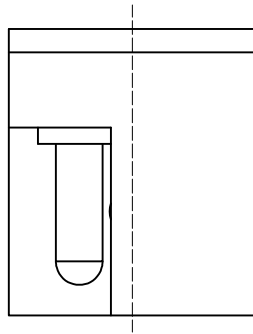


\*All raw material,production process,electroplating must meet the requirements of EU RoHS.\*

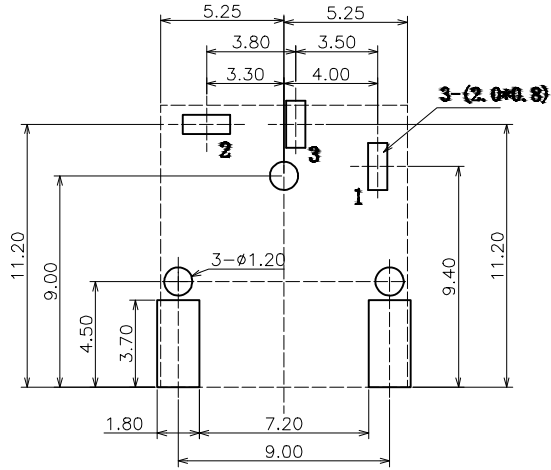
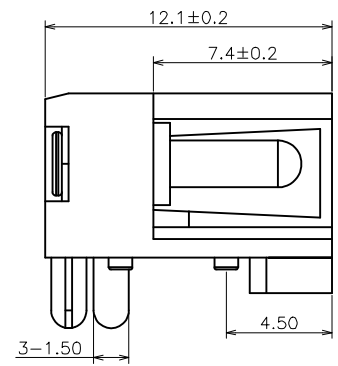
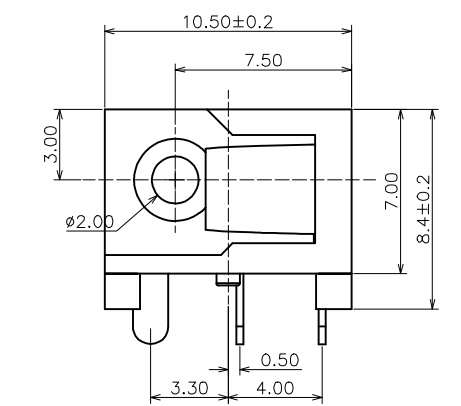
REV.	ECN NO.	LOCAS.	DESCRIPTION	DATE	DESIGN
A0			RELEASE TO CUSTOMER		HANG
D					HANG



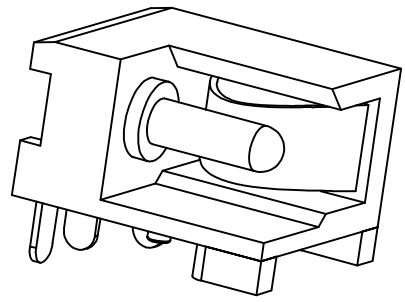
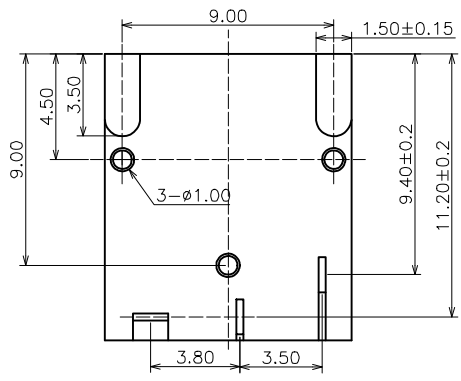
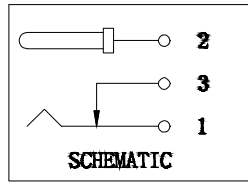
NO.	PARTS	MATERIALS	QTY	REMARK
5	PLUG PIN	Brass	1	NI PLATED
4	Housing	PA66	1	BLACK
3	Curve Piece	Phosphor Bronze	1	Ag PLATED OVER NI
2	Flat Piece	Brass	1	Ag PLATED OVER NI
1	Spring	Brass	1	Ag PLATED OVER NI

- SPCIFICATION:**
1. RATING:DC 30V 0.5A
  2. CONTACT RESISTANCE:0.03Ω Max
  3. INSULATION RESISTANCE:100MΩ (DC250V) Min
  4. WITHSTAND VOLTAGE:500VAC
  5. INSERTION AND EXTRACTION FORCE:3-20N

**Ordering Information of Product:**  
 DC-09004-XX  
 XX: the diameter of the central PIN  
 XX=20, φ=2.0mm



PIN	φ2.0	φ2.5
APPD	✓	



PCB LAYOUT TOP VIEW

深圳朗思达科技有限公司

DRAW NO.		DATE	DRAW NAME: DC插座 DC-004 3PIN	
DESIGN	HANG	20200218	P/N NO. 30500044	CIB CODE:
CHECK	ZHAOZZ	20200218	UNIT: mm	MODEL:
APPROVED	RYAN	20200218	SHEET: N/A	REV. D SCALE N/A

DIM	TOL	DIM	TOL
X.	±0.30	X'	±4.0'
X.X	±0.25	X.X'	±3.0'
X.XX	±0.20	X.XX'	±2.0'
X.XXX	±0.10	X.XXX'	±1.0'

THIS DRAWING CONTAINS INFORMATION THAT IS PROVIDED IN CONFIDENCE OR PROPRIETARY RIGHTS AND SHOULD NOT BE USED WITHOUT WRITTEN PERMISSION