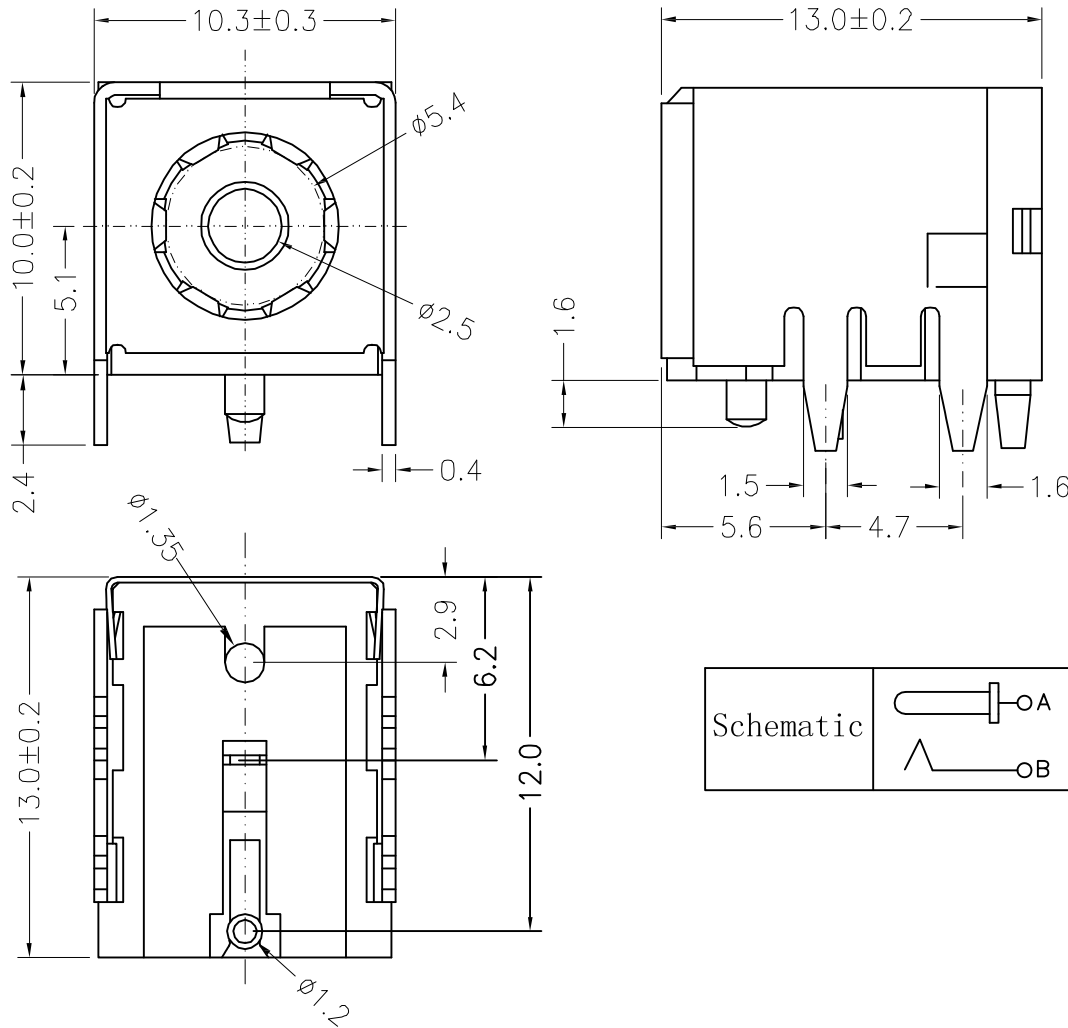
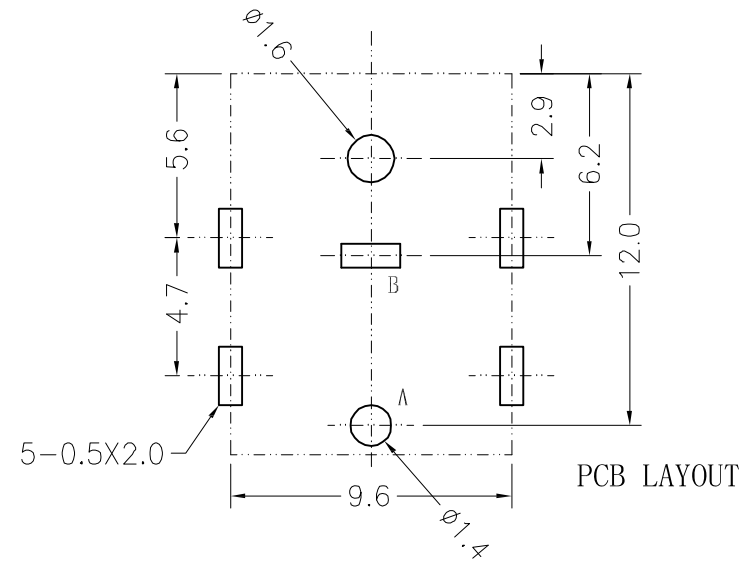


REV.	ECN NO.	LOCAS.	DESCRIPTION	DATE	DESIGN
A0			RELEASE TO CUSTOMER		HANG



SPECIFICATION

1. Current Rating: 5.0 Amp
2. Operation Voltage: 20V(DC)
3. Contact Resistance: 30m Ohms Max
4. Insulation Resistance: 100M Ohms Min
5. Dielectric Withstanding Voltage: 500VAC(50HZ)



LASTAR

Lastar Technology CO., LTD

DRAW NO.	DATE	DRAW NAME: DC POWER JACK			
DESIGN	HANG	070505	P/N NO. DC-09528-XX		FILE:
CHECK	WANGCM	070506	UNIT: mm		MODEL:
APPROVED	HUYX	070506	SHEET: N/A	REV. A0	SCALE N/A