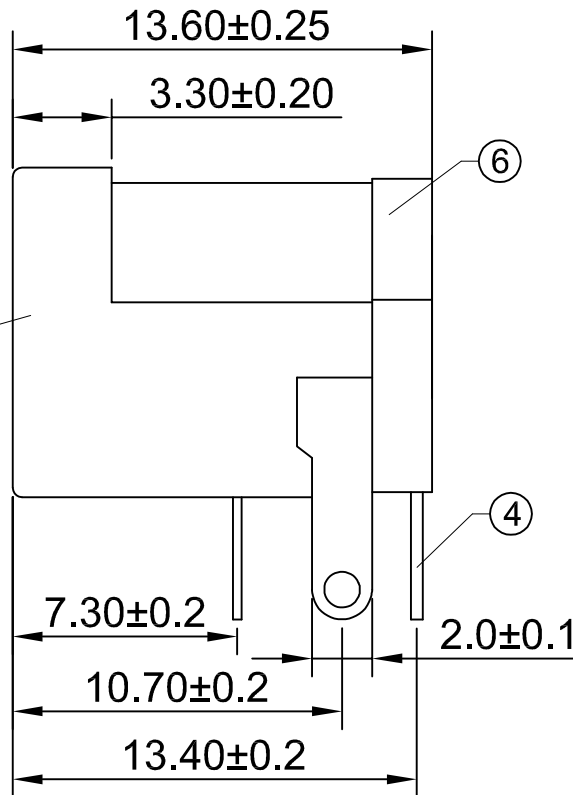
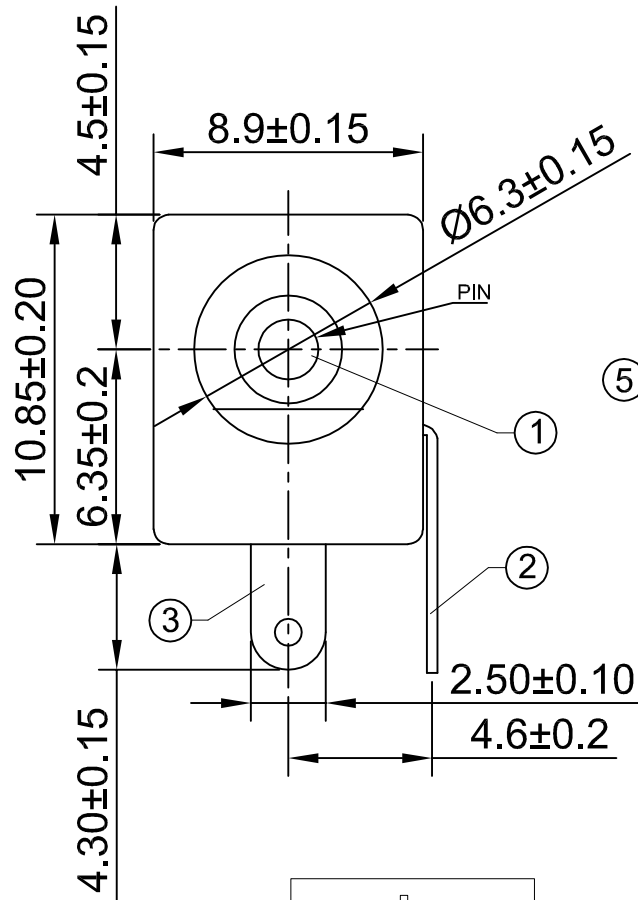


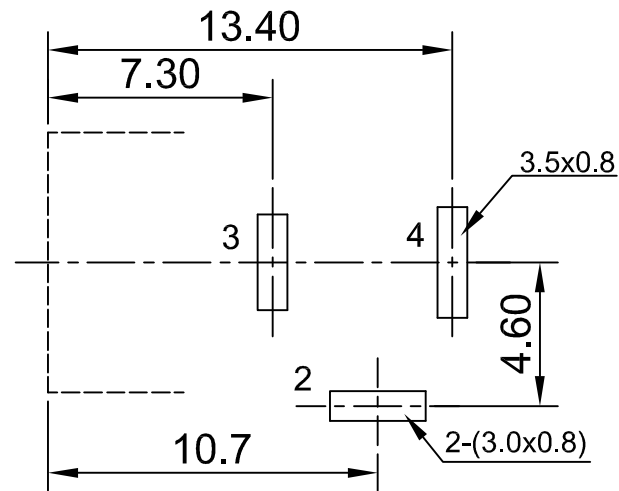
所有原料材质，生产制程，电镀必须符合RoHS要求

REV.	ECN NO.	LOCAS.	DESCRIPTION	DATE	DESIGN
AO				070505	HANG
B			标注尺寸更新	161129	RYAN

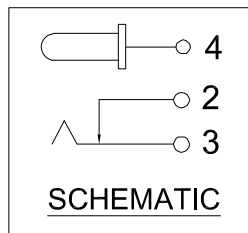


SPECIFICATION:

1. RATING: DC 30V 0.5A
2. CONTACT RESISTANCE: $\leq 0.03 \Omega$
3. INSULATION RESISTANCE: $\geq 100M \Omega$ (DC250V)
4. WITHSTAND VOLTAGE: 500VAC
5. INSERTION AND EXTRACTION FORCE: 3-20N
6. LIFE TEST: 5000 CYCLES



Recommended P.C.B. Layout



PIN	Ø1.65	Ø2.00	Ø2.35	Ø2.50
APPD.		✓		✓

NO.	DESCRIPTION	QTY	MATERIAL	PLATING
6	COVER	1	PA46	
5	HOUSING	1	PA46	
4	FLAT PIECE	1	H62 BRASS	Ag(Sn)-PLATING
3	SPRING	1	65Mn STEEL	Ag(Sn)-PLATING
2	CURVE PIECE	1	H62 BRASS	Ag(Sn)-PLATING
1	PIN	1	H59 BRASS	Ni-PLATING

DIM	TOL	DIM	TOL
X.	±0.30	X'.	±4.0'
X.X	±0.25	X.X'	±3.0'
X.XX	±0.20	X.XX'	±2.0'
X.XXX	±0.10	X.XXX'	±1.0'

LASTAR Lastar Technology CO., LTD
 TEL:0755-27157971 FAX:0755-27157976 Http://www.lsdconn.com

DRAW NO.		DATE	DRAW NAME: DC JACK 3Pin DIP90° (DC-005)	
DESIGN	RYAN	161129	P/N NO. DC-09005-XXC	SHORT CODE
CHECK	WANGCM	161129	UNIT: mm	MODEL 09
APPROVED	HUYX	161129	SHEET: N/A	REV. B SCALE N/A

THIS DRAWING CONTAINS INFORMATION THAT IS PROVIDED BY LASTAR TECHNOLOGY AND SHOULD NOT BE USED WITHOUT WRITTEN PERMISSION