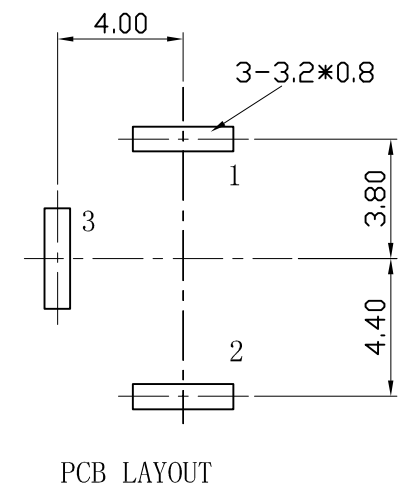
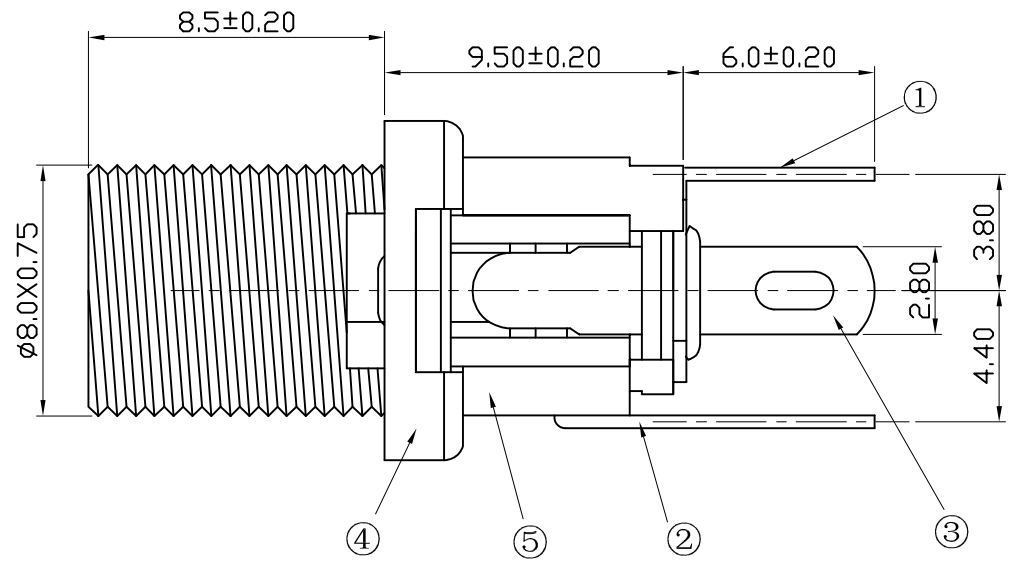
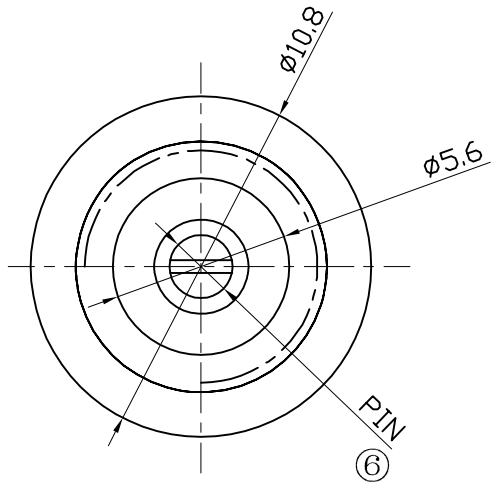
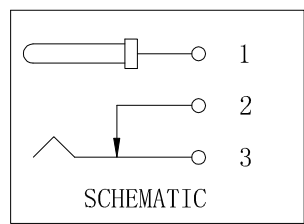


REV.	ECN NO.	LOCAS.	DESCRIPTION	DATE	DESIGN
A0			RELEASE TO CUSTOMER		HANG



PIN	$\phi 2.0$	$\phi 2.5$	
APPD	✓		



SPECIFICATION:

1. RATING: DC 30V 0.5A
2. CONTACT RESISTANCE: $\leq 0.03 \Omega$
3. INSULATION RESISTANCE: $\geq 100M \Omega$ (DC250V)
4. WITHSTAND VOLTAGE: 500VAC
5. INSERTION AND EXTRACTION FORCE: 3-20N
6. LIFE TEST: 5000 CYCLES

NO.	PARTS	MATERIALS	Q' TY	REMARK
6	PIN	BRASS,H59	1	Ni PLATED
5	Housing	PA66	1	BLACK
4	AXIS SUPPORT	BRASS	1	Ni PLATED
3	Spring	BRONZE	1	Ag PLATED OVER NI
2	Curve Piece	BRASS,H62	1	Ag PLATED OVER NI
1	Flat Piece	BRASS,H62	1	Ag PLATED OVER NI

DIM	TOL	DIM	TOL
X.	± 0.30	X'.	$\pm 4.0'$
X.X	± 0.25	X.X'	$\pm 3.0'$
X.XX	± 0.20	X.XX'	$\pm 2.0'$
X.XXX	± 0.10	X.XXX'	$\pm 1.0'$

THIS DRAWING CONTAINS INFORMATION THAT IS PROVIDED BY LASTAR TECHNOLOGY AND SHOULD NOT BE USED WITHOUT WRITTEN PERMISSION

LASTAR

Lastar Technology CO., LTD

DRAW NO.		DATE	DRAW NAME: DC POWER JACK 3Pin	
DESIGN	HANG	080505	P/N NO. DC-09025M-20	FILE: 30500047
CHECK	WANGCM	080506	UNIT: mm	MODEL:
APPROVED	HUYX	080506	SHEET: N/A	REV. A0 SCALE N/A