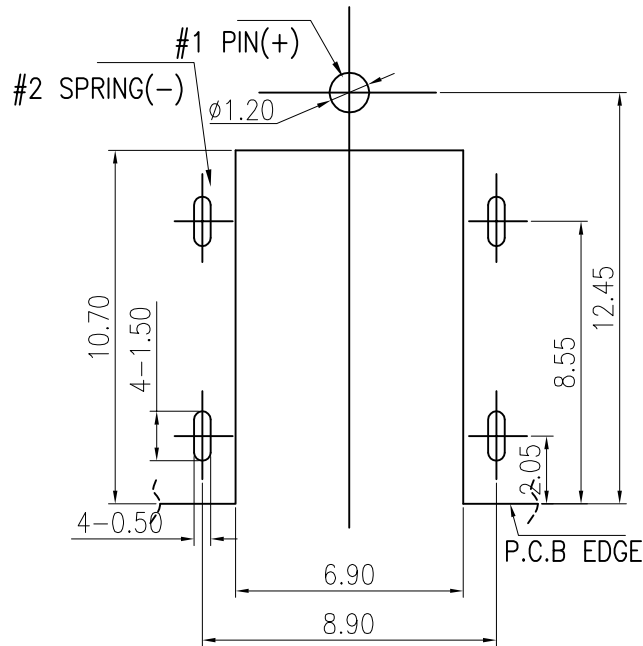
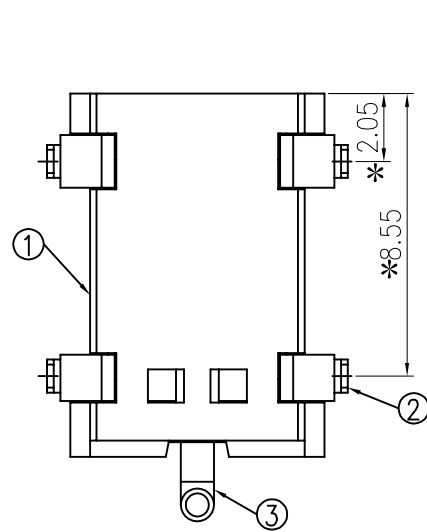
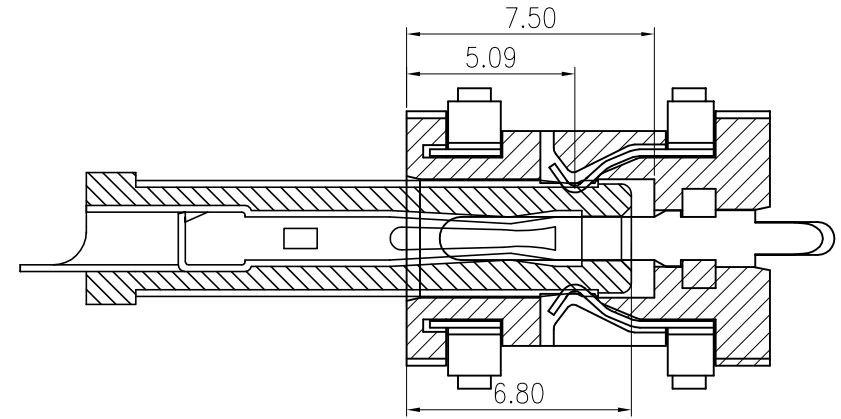
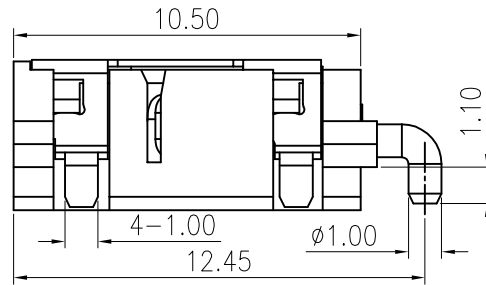
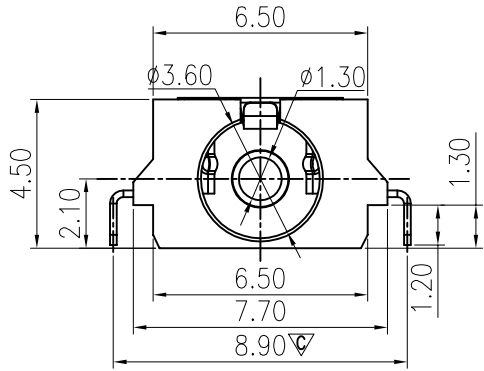


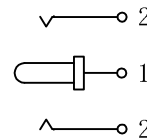
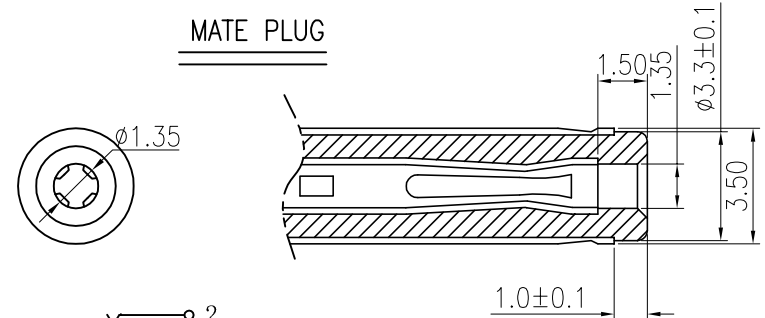
所有原料材质, 生产制程, 电镀必须符合RoHS要求

REV.	ECN NO.	LOCAS.	DESCRIPTION	DATE	DESIGN
A0			RELEASE TO CUSTOMER	150116	RYAN
B					RYAN



P. C. B LAYOUT TOP VIEW

MATE PLUG



SCHMATIC

DC JACK INSERT DEPTH

额定电负荷: DC 30V\3A
 接触电阻: $\leq 0.03\Omega$
 绝缘电阻: $\geq 100M\Omega$
 耐压: AC500V (50Hz)/min
 耐插拔力: 3-20N
 使用温度范围: -30~70°C
 使用寿命: 5000次

LASTAR

Lastar Technology CO., LTD

TEL:0755-27157971 FAX:0755-27157976 Http://www.lsdconn.com

DRAW NO.	DATE	DRAW NAME:	
DESIGN	RYAN	DC JACK SINK Type	
CHECK	WANGCM	P/N NO.	HS CODE
APPROVED	HUYX	DC-P2058-13	
		UNIT: mm	MODEL XX
		SHEET: N/A	REV. B SCALE N/A

序号	产品名称	数量	材料	规格	电镀
3	圆针	1	黄铜		镀金
2	盖脚	1	磷铜	0.25T	镀金
1	基座	1	PPA(黑色)		

DIM	TOL	DIM	TOL
X.	±0.30	X'	±4.0'
X.X	±0.25	X.X'	±3.0'
X.XX	±0.20	X.XX'	±2.0'
X.XXX	±0.10	X.XXX'	±1.0'

THIS DRAWING CONTAINS INFORMATION THAT IS PROVIDED BY LASTAR TECHNOLOGY AND SHOULD NOT BE USED WITHOUT WRITTEN PERMISSION