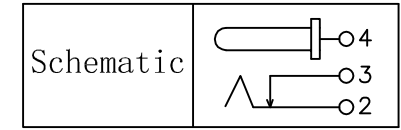


REV.	ECN NO.	LOCAS.	DESCRIPTION	DATE	DESIGN
A0			RELEASE TO CUSTOMER		HANG
B					HANG

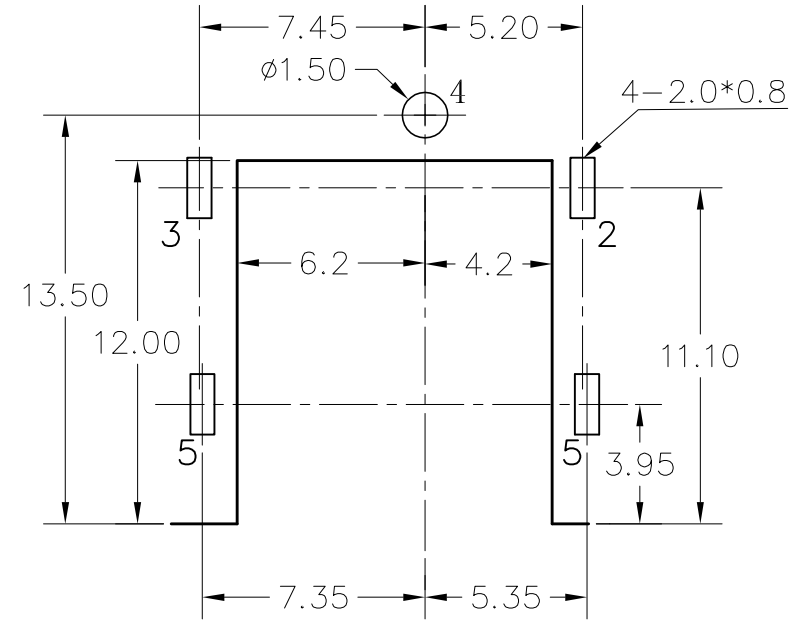
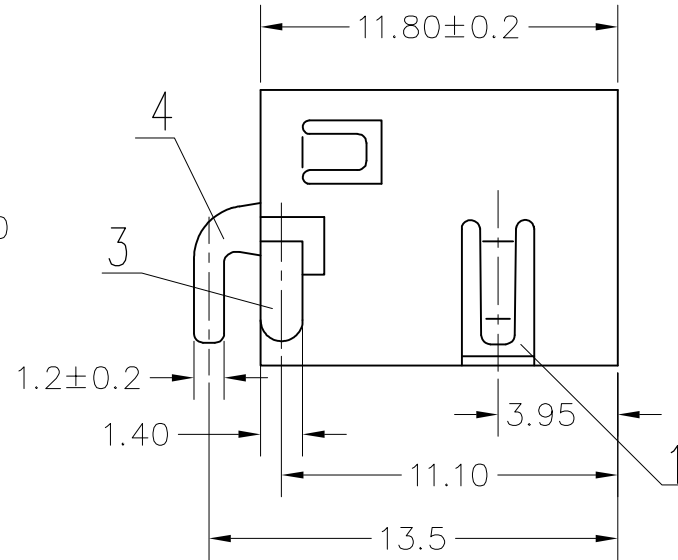
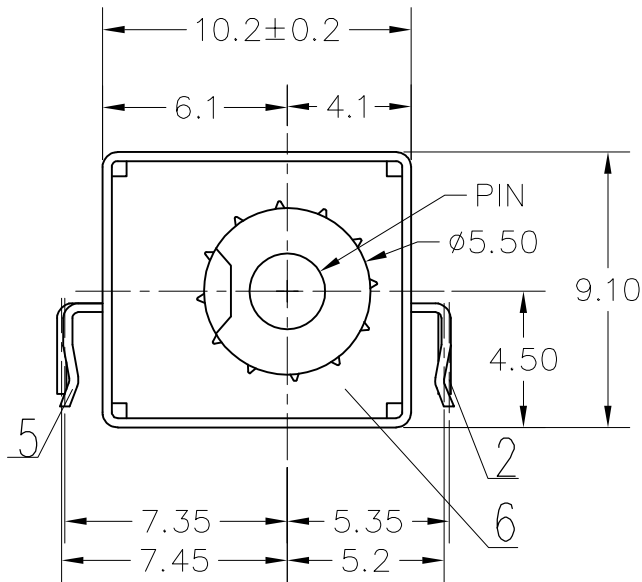
SPECIFICATION

- 1.Current Rating:0.3Amp
- 2.Operation Voltage:50V
- 3.Contact Resistance:30m Ohms Max
- 4.Insulation Resistance:100M Ohms Min
- 5.Dielectric Withstanding Voltage: 500VAC
- 6.Mating and Unmating Force:5 to 25N
- 7.Life:5000 Cycles

PIN	∅1.65	∅2.0	∅2.35	∅2.5
APPD				✓



外壳固定脚——○5



PCB LAYOUT

6	外壳	SPCC	1	Sn-Plated
5	外壳脚	SPCC	1	Sn-Plated
4	芯	Brass	1	Sn-Plated
3	动触片	Bronze T=0.30	1	Ag-Plated
2	静触片	Brass t=0.30	1	Ag-Plated
1	塑座	LCP	1	Black
ITEM	PART	MATERIAL	QTY	REMARK

DIM	TOL	DIM	TOL
X.	±0.30	X'	±4.0"
X.X	±0.25	X.X'	±3.0"
X.XX	±0.20	X.XX'	±2.0"
X.XXX	±0.10	X.XXX'	±1.0"

THIS DRAWING CONTAINS INFORMATION THAT IS PROVIDED BY LASTAR TECHNOLOGY AND SHOULD NOT BE USED WITHOUT WRITTEN PERMISSION

LASTAR

Lastar Technology CO.,LTD

DRAW NO.		DATE	DRAW NAME:	
DESIGN	HANG	080505	DC POWER JACK 沉板	
CHECK	WANGCM	080506	P/N NO.	FILE:
APPROVED	HUYX	080506	DC-09044B-25	
			UNIT: mm	SHEET: N/A
			MODEL:	REV. B
				SCALE N/A