

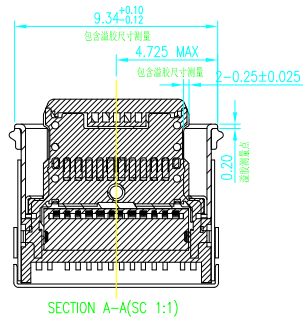
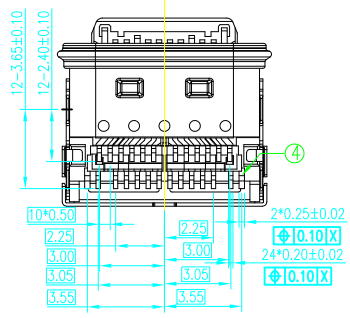
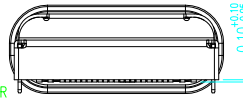
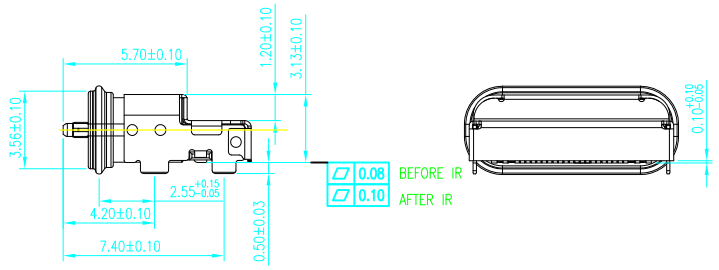
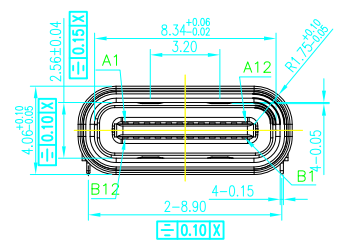
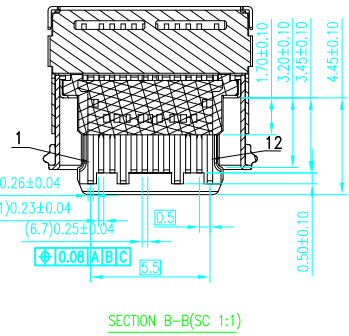
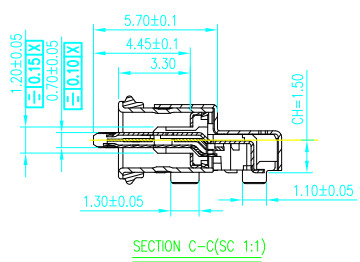
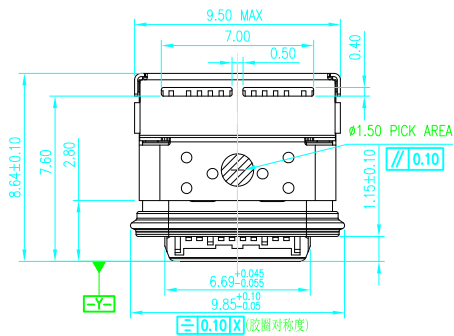
1

2

3

4

REV.	ECN NO.	LOCAS.	DESCRIPTION	DATE	DESIGN
A			RELEASE TO CUSTOMER	210109	JIANG



PIN ASSIGNMENTS

No.	NAME	DESCRIPTION	No.	NAME	DESCRIPTION
A1	GND	GROUND RETURN	B12	GND	GROUND RETURN
A4	VBUS	BUS POWER	B9	VBUS	BUS POWER
A5	CC1	CONFIGURATION CHANNEL	B8	SBU2	SIDEBAND USE(SBU)
A6	DP1	POSITIVE HALF OF USB2.0 DIFFERENTIAL PAIR-POSITION1	B7	DN2	NEGATIVE HALF OF USB2.0 DIFFERENTIAL PAIR-POSITION2
A7	DN1	NEGATIVE HALF OF USB2.0 DIFFERENTIAL PAIR-POSITION1	B6	DP2	POSITIVE HALF OF USB2.0 DIFFERENTIAL PAIR-POSITION2
A8	SBU1	SIDEBAND USE(SBU)	B5	CC2	CONFIGURATION CHANNEL
A9	VBUS	BUS POWER	B4	VBUS	BUS POWER
A12	GND	GROUND RETURN	B1	GND	GROUND RETURN

LASTAR

Lastar Technology CO., LTD

DRAW NO.		DATE	DRAW NAME: TYPE C 母座 24PIN 端子双贴 四脚插板 防水型		
DESIGN	JIANG	210109	P/N NO. 21000221	FILE:	
CHECK		210109	UNIT: mm	SHEET: N/A	MODEL:
APPROVED	HUYX	210109	REV. A		SCALE N/A

DIM	TOL	DIM	TOL
X.	±0.30	X'.	±4.0'
X.X	±0.25	X.X'	±3.0'
X.XX	±0.20	X.XX'	±2.0'
X.XXX	±0.10	X.XXX'	±1.0'

THIS DRAWING CONTAINS INFORMATION THAT IS PROVIDED BY LASTAR TECHNOLOGY AND SHOULD NOT BE USED WITHOUT WRITTEN PERMISSION

1

2

3

4

1

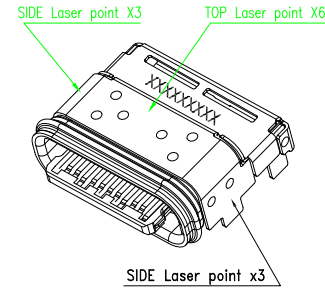
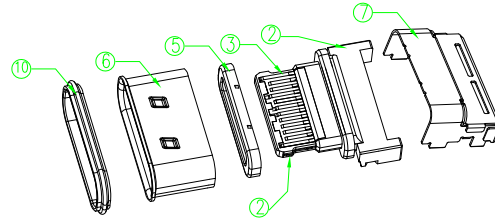
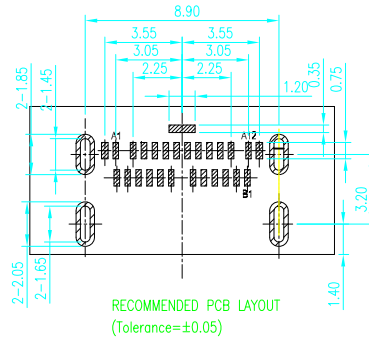
2

3

4

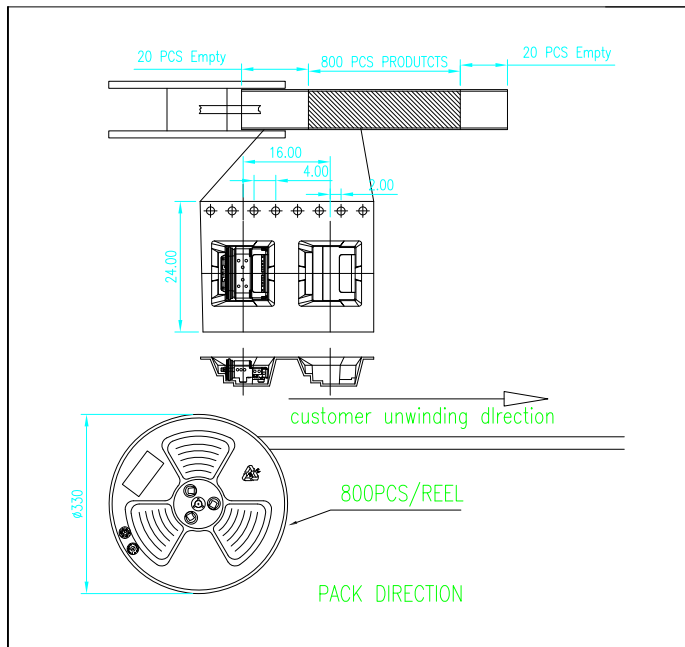
REV.	ECN NO.	LOCAS.	DESCRIPTION	DATE	DESIGN
A			RELEASE TO CUSTOMER	210109	JIANG

RoHS

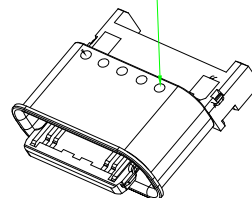


说明:

1. Colplanarity: 0.08最大红外线前., 0.10mm MAX
2. 舌PIN的位置: IR前: 0.08mm MAX; IR后0.12mm MAX;
3. P/N: 822216-966
4. 包装方式: 载带包装
5. 接触区和焊接区无毛刺, 除特说明, 冲压毛刺为0.05mm MAX.
6. 未标注尺寸公差为依自由公差为准.
7. 成品端子平面度必须100%检测.
8. 成品可靠性测试要求参照规格书.
9. 产品满足 ROHS 2.0



Front&Back Laser point 2X5



9	密封胶	1PCS	硅胶, 依照客户需求	
8	胶水	1PCS	硅胶, 黑色(MicroCoat 423-06)	
7	外壳	1PCS	SUS304, T=0.15. 镀镍50u" MIN.	
6	内拉伸壳	1PCS	SUS304, T=0.20. 镀镍50u" MIN.	
5	EMI拉伸壳	1PCS	SUS304, T=0.12. 镀镍50u" MIN.	
4	上排端子	1SET	C18140, T=0.12. 底层镀镍 50-100u", 功能接触区单面	
3	下排端子	1SET	刷镀 Au 30u", 焊接区双面镀金 G/F.	
2	中板	1PCS	SUS301-1/4 H, 镀镍50u" MIN.	
1	塑胶	1PCS	PA46 (HF315) BLACK	
项目	组成部件	用量	材质/处理	备注

LASTAR

Lastar Technology CO., LTD

DRAW NO.		DATE	DRAW NAME: TYPE C 母座 24PIN 端子双贴 四脚插板 防水型	
DESIGN	JIANG	210109	P/N NO. 21000221	FILE:
CHECK		210109	UNIT: mm	MODEL:
APPROVED	HUYX	210109	SHEET: N/A	REV. A SCALE N/A

DIM	TOL	DIM	TOL
X	±0.30	X'	±4.0'
X.X	±0.25	X.X'	±3.0'
X.XX	±0.20	X.XX'	±2.0'
X.XXX	±0.10	X.XXX'	±1.0'

THIS DRAWING CONTAINS INFORMATION THAT IS PROVIDED BY LASTAR TECHNOLOGY AND SHOULD NOT BE USED WITHOUT WRITTEN PERMISSION