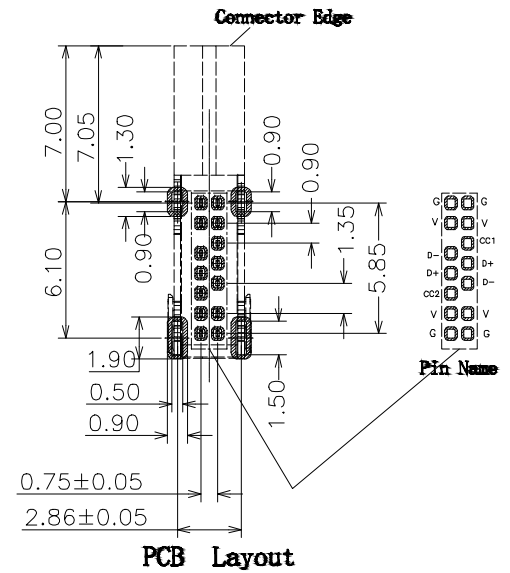
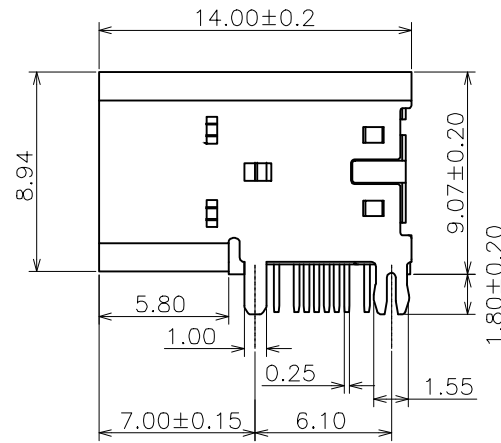
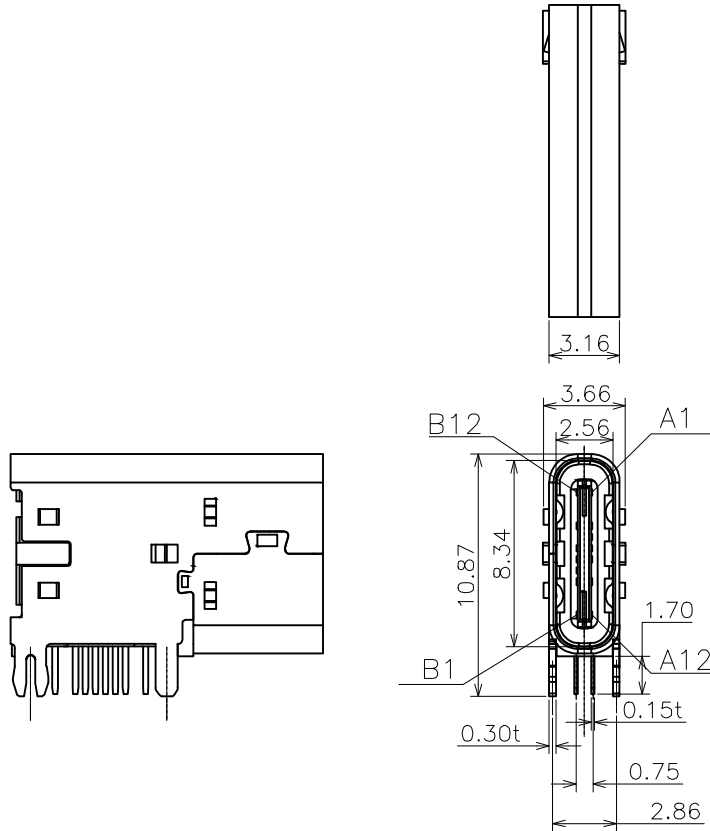


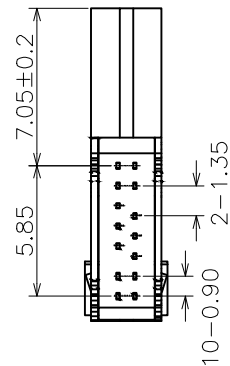
All raw material, production process, electroplating must meet the requirements of EU RoHS.

REV.	ECN NO.	LOCAS.	DESCRIPTION	DATE	DESIGN
A0			RELEASE TO CUSTOMER	200218	HANG

- CURRENT RATING : 3.0A FOR Vbus PIN,
- VOLTAGE RATING : 20V DC MAX.
- CONTACT RESISTANCE : 40mΩ.
- INSULATION RESISTANCE : 100MΩ MIN.
- DIELECTRIC WITHSTANDING VOLTAGE : 100 VAC MIN.
- OPERATING TEMPERATURE : -30°C TO +85°C.
- MATING FORCE : 5~20N.
- UNMATING FORCE : 8~20N.
- DURABILITY : 10,000 CYCLES.



A1	GND	B12	GND
A4	VBUS	B9	VBUS
A5	CC1	B6	DN2
A6	DP1	B7	DP2
A7	DN1	B5	CC2
A9	VBUS	B4	VBUS
A12	GND	B1	GND
PIN	SIGNAL NAME	PIN	SIGNAL NAME



DIM	TOL	DIM	TOL
X.	±0.30	X'	±4.0'
X.X	±0.25	X.X'	±3.0'
X.XX	±0.20	X.XX'	±2.0'
X.XXX	±0.10	X.XXX'	±1.0'

深圳朗思达科技有限公司

DRAW NO.		DATE	DRAW NAME: TYPE C 母座14PIN 侧插 针长1.7mm	
DESIGN	HANG	20200218	P/N NO. 21000292	CIB CODE:
CHECK	ZHAOZZ	20200218	UNIT: mm	SHEET: N/A
APPROVED	RYAN	20200218	MODEL: REV. A0 SCALE N/A	

THIS DRAWING CONTAINS INFORMATION THAT IS PROVIDED BY DONGSHUN OR ELECTRONIC SOLUTIONS AND SHOULD NOT BE USED WITHOUT WRITTEN PERMISSION