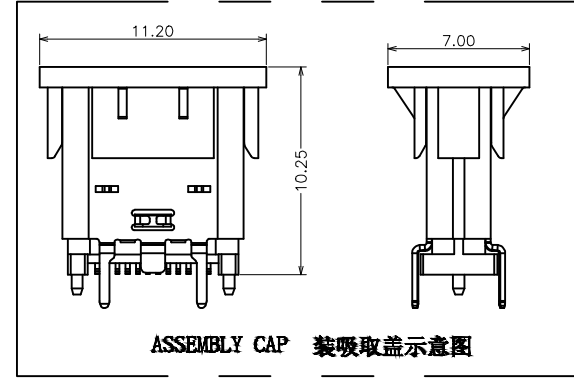
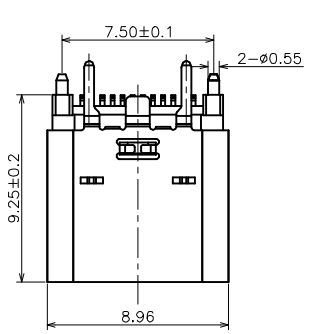
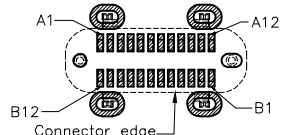
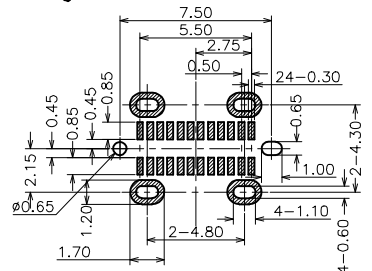
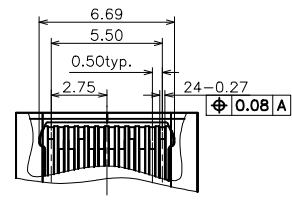
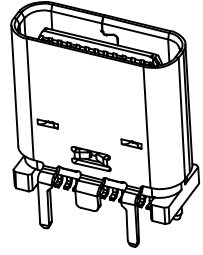
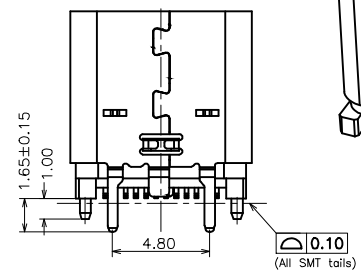
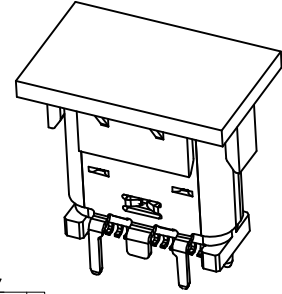
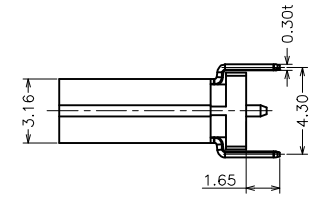
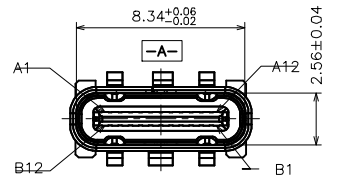


All raw material,production process,electroplating must meet the requirements of EU RoHS.

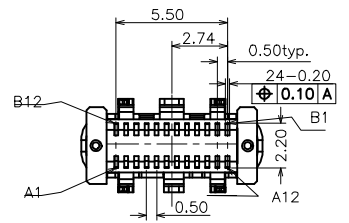
REV.	ECN NO.	LOCAS.	DESCRIPTION	DATE	DESIGN
A0			RELEASE TO CUSTOMER	200218	HANG



- ELECTRICAL CHARACTERISTICS:
 - CURRENT RATING: 5A
 - TEMPERATURE RANGE: -40 °C ~ 85 °C
 - CONTACT RESISTANCE: 30 MILLIONHM MAX.
 - DIELECTRIC WITHSTANDING VOLTAGE: 100 VAC r.m.s
 - INSULATION RESISTANCE: 100 MEGOHMS MIN.
- MECHANICAL CHARACTERISTICS
 - INSERTION FORCE: 5~20N
 - EXTRACTION FORCE: Initial:8~20N ATER TEST 6~20N;
 - DURABILITY:10,000CYCLES
- THE SHELL LENTH IS LESS THAN THE MINIMUM SPECIFIED BY THE USB TYPE C STANDARD.AS SUCH IS CONNOT INDENOENDENTLY BE GUARANTEED TO MEET ALL TYPE C MECHANICAL REQUIREMENTS.



A1	GND	B12	GND
A2	TX1+	B11	RX1+
A3	TX1-	B10	RX1-
A4	VBUS	B9	VBUS
A5	CC1	B8	SBU2
A6	DP1	B7	DN2
A7	DN1	B6	DP2
A8	SBU1	B5	CC2
A9	VBUS	B4	VBUS
A10	VBUS	B3	TX2+
A11	RX2-	B2	TX2-
A12	RX2+	B1	GND
PIN	SIGNAL NAME	PIN	SIGNAL NAME



RECOMMENDED P.C.B. LAYOUT TOLERANCE UNSPECIFIED ±0.05mm

DIM	TOL	DIM	TOL
X.	±0.30	X'	±4.0'
X.X	±0.25	X.X'	±3.0'
X.XX	±0.20	X.XX'	±2.0'
X.XXX	±0.10	X.XXX'	±1.0'

THIS DRAWING CONTAINS INFORMATION THAT IS PROVIDED BY DOWAGUN OR ELECTRONIC SOLUTIONS AND SHOULD NOT BE USED WITHOUT WRITTEN PERMISSION

深圳朗思达科技有限公司

DRAW NO.		DATE	DRAW NAME: TYPE C 母座 24PIN 立贴 L9.3 插脚 1.65	
DESIGN	HANG	20200218	P/N NO. 21000290	CIB CODE:
CHECK	ZHAOZZ	20200218	UNIT: mm	SHEET: N/A
APPROVED	RYAN	20200218	MODEL:	REV. A0 SCALE N/A