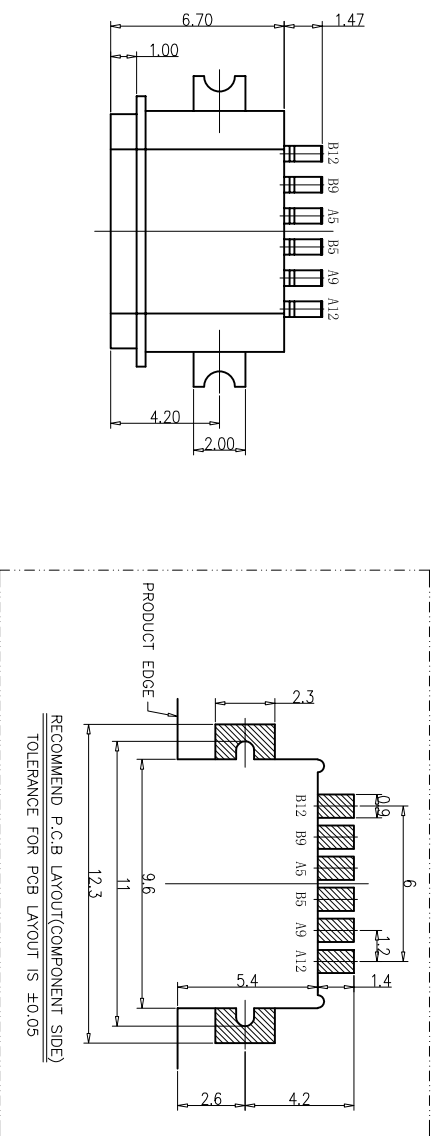


所有原材料，生产制程，电镀必须符合RoHS要求

REV. A	ECN NO.	LOCAS.	DESCRIPTION RELEASE TO CUSTOMER	DATE 150116	DESIGN YINC
--------	---------	--------	------------------------------------	----------------	----------------



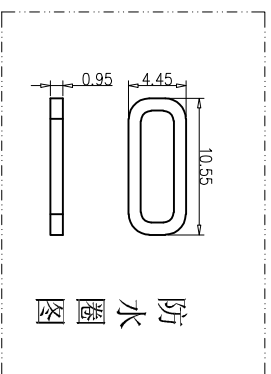
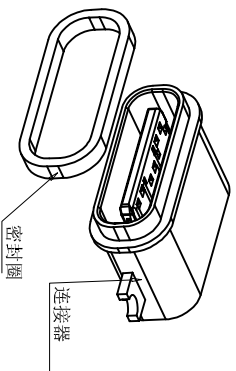
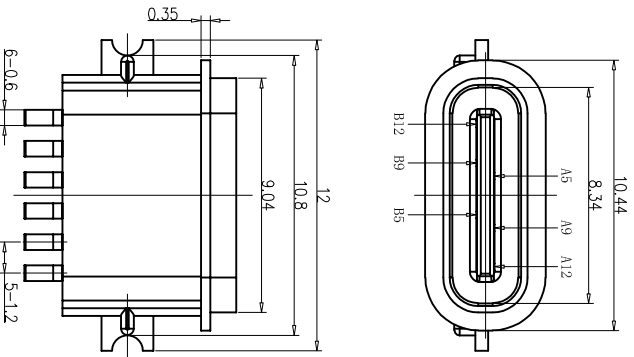
1. 电气特性:
 - 1.1. 接触区: 接触电阻40mΩ Max, 允许10mΩ变化量. 测试条件: 20mv, 100mA下测量.
 - 1.2. 接触电流: 3A VBUS引脚; 1.25A用于GND引脚; 其他引脚为0.25A.
 - 1.3. 额定电压: 5V.
 - 1.4. 耐受电压: 100VAC.
 - 1.5. 绝缘电阻: 至少100兆欧.
2. 机械性能:
 - 3.1. 插入力: 0.5-2.0Kg
 - 3.2. 拔出力: 0.6-2.04Kg
 - 3.3. 插拔次数: 10000次.
 4. 工作环境: -20°C to +85°C.

USB TYPE C PIN ASSIGNMENTS

PIN NUMBER	SIGNAL NAME	PIN NUMBER	SIGNAL NAME
B12	GND	B12	GND
B9	VBUS	B9	VBUS
A5	CC1	B5	CC2
A9	VBUS		
A12	GND		

TABLE:

NO	PART	QTY	Material
1	SHELL	1	ZINC ALLOY, NI PLATED
2	CONTACT	6	COPPER STEEL, TIN/AU/NI PLATED
3	1MD HOUSING	1	HIGH TEMPERATURE RESISTANT PLASTIC BLACK UL94 V-0



防水圈图

DIM	TOL	DIM	TOL
X	±0.30	X	±4.0°
XX	±0.25	XX	±3.0°
XXX	±0.20	XXX	±2.0°
XXXX	±0.10	XXXX	±1.0°

THIS DRAWING COMPLIES WITH THE REQUIREMENTS OF THE ISO 9001 CERTIFICATION. THE DIMENSIONS ARE GIVEN IN MILLIMETERS UNLESS OTHERWISE SPECIFIED.

DRAW NO.	DESIGN	CHECK	APPROVED	DATE
	YINC	ZHAOZZ	HUXW	150116



深圳朗思达 香港朗思达
 东莞共营 前海共赢
connector & cable

DRAW NAME:		TYPE C 6P 沉板1.15 防水母座=6.7mm	
P/N NO.	21000198	SHORT CODE	21000198
UNIT: mm	SHEET: N/A	MODEL	REV. A
SCALE		N/A	